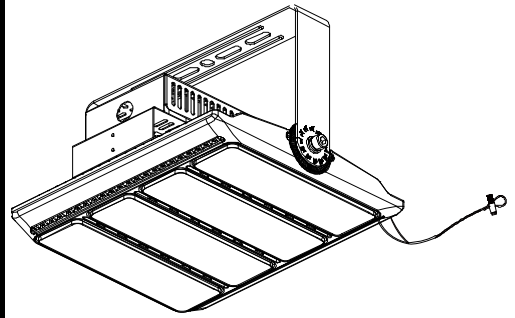


ECOHiLUX照明器具 配光データシート

意匠図

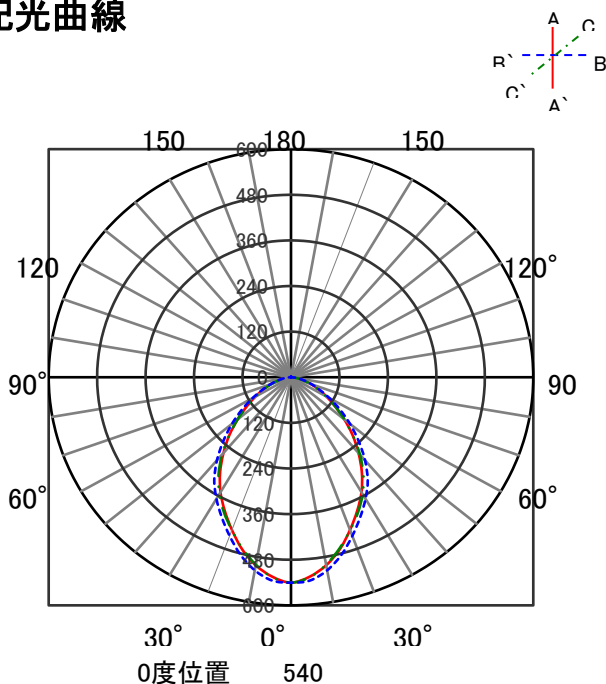
| | | | |
|------|--------------------------|------|------|
| 器具品名 | 高天井LED照明 | 保守率 | |
| 器具品番 | CL4M-160W-90-K50-R7-D-V2 | 良 | 0.69 |
| 部品品名 | - | 中 | 0.67 |
| 部品品番 | - | 否 | 0.63 |
| | | 器具効率 | |
| 器具光束 | 28160lm | 上方向 | 0% |
| 光源 | LED | 下方向 | 100% |
| 光源光束 | 一体型器具のため、器具光束表示 | 全方向 | 100% |



照明率表

| 作業面照明率(×0.01) | | | | | | | | | | | | | | | | | | | | | | | | | | |
|---------------|------|-----|-----|-----|-----|-----|-----|-----|-----|-----|-----|-----|-----|-----|-----|-----|-----|-----|-----|-----|----|----|----|----|----|---|
| 反射率 | 天井 | 80 | | | | | | | | 70 | | | | 50 | | | 30 | | 0 | | | | | | | |
| | | 壁 | | 70 | | 50 | | 30 | | 10 | | 70 | | 50 | | 30 | | 10 | | 30 | | 10 | | 0 | | |
| | 床 | 30 | 10 | 30 | 10 | 30 | 10 | 10 | 30 | 10 | 30 | 10 | 30 | 10 | 10 | 30 | 10 | 30 | 10 | 10 | 30 | 10 | 10 | 30 | 10 | 0 |
| 室 指 数 | 0.4 | 53 | 50 | 41 | 39 | 34 | 33 | 29 | 52 | 49 | 40 | 39 | 34 | 33 | 29 | 39 | 38 | 33 | 33 | 29 | 33 | 32 | 29 | 27 | | |
| | 0.6 | 71 | 66 | 58 | 55 | 50 | 49 | 44 | 70 | 65 | 57 | 55 | 50 | 49 | 44 | 56 | 54 | 49 | 48 | 44 | 48 | 48 | 44 | 42 | | |
| | 0.8 | 83 | 75 | 70 | 66 | 62 | 60 | 55 | 81 | 74 | 69 | 65 | 61 | 59 | 55 | 67 | 64 | 60 | 58 | 54 | 59 | 58 | 54 | 52 | | |
| | 1 | 91 | 82 | 79 | 73 | 71 | 67 | 62 | 89 | 80 | 78 | 72 | 70 | 67 | 62 | 75 | 71 | 68 | 66 | 62 | 67 | 65 | 61 | 59 | | |
| | 1.25 | 98 | 88 | 87 | 80 | 79 | 74 | 70 | 96 | 86 | 85 | 79 | 78 | 74 | 70 | 82 | 77 | 76 | 73 | 69 | 74 | 72 | 68 | 66 | | |
| | 1.5 | 104 | 91 | 93 | 85 | 85 | 79 | 75 | 100 | 90 | 91 | 84 | 84 | 79 | 75 | 87 | 82 | 81 | 77 | 74 | 79 | 76 | 73 | 71 | | |
| | 2 | 110 | 96 | 101 | 90 | 94 | 86 | 82 | 107 | 94 | 99 | 89 | 92 | 85 | 82 | 94 | 87 | 89 | 84 | 81 | 86 | 82 | 80 | 77 | | |
| | 2.5 | 114 | 99 | 107 | 94 | 100 | 90 | 87 | 111 | 97 | 104 | 93 | 98 | 89 | 86 | 98 | 91 | 94 | 88 | 85 | 90 | 86 | 84 | 82 | | |
| | 3 | 117 | 100 | 110 | 97 | 104 | 93 | 90 | 113 | 99 | 107 | 95 | 102 | 92 | 90 | 101 | 93 | 97 | 91 | 88 | 93 | 89 | 87 | 84 | | |
| | 4 | 121 | 103 | 115 | 100 | 110 | 97 | 95 | 117 | 101 | 112 | 99 | 107 | 96 | 94 | 105 | 96 | 102 | 94 | 92 | 97 | 92 | 91 | 88 | | |
| 5 | 123 | 104 | 118 | 102 | 114 | 99 | 97 | 119 | 103 | 115 | 100 | 111 | 98 | 96 | 108 | 98 | 105 | 96 | 95 | 99 | 94 | 93 | 90 | | | |
| 7 | 126 | 106 | 122 | 104 | 119 | 102 | 100 | 121 | 104 | 118 | 103 | 115 | 101 | 100 | 110 | 100 | 108 | 99 | 98 | 102 | 97 | 96 | 93 | | | |
| 10 | 128 | 107 | 125 | 105 | 123 | 104 | 103 | 123 | 105 | 121 | 104 | 118 | 103 | 102 | 113 | 102 | 111 | 101 | 100 | 104 | 99 | 98 | 95 | | | |

配光曲線



直射水平面照度

