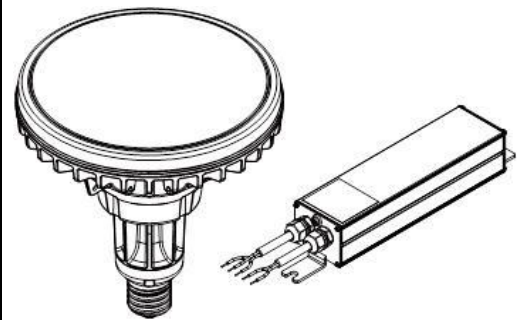


ECOHiLUX照明器具 配光データシート

意匠図

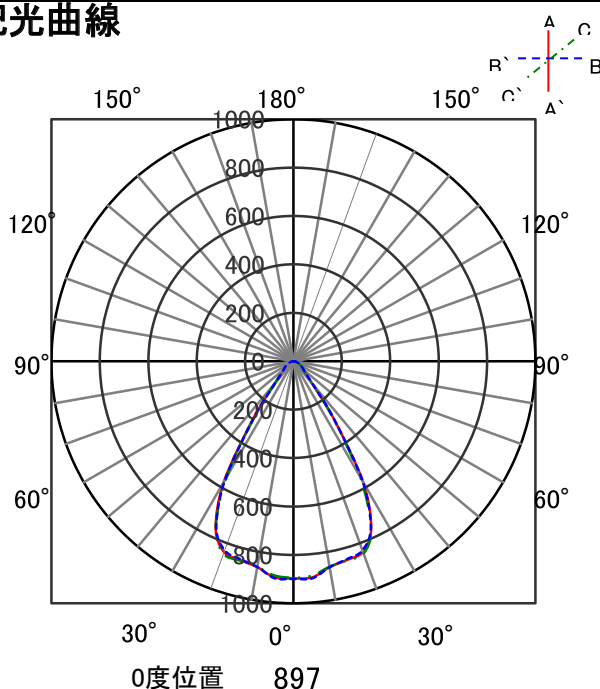
| | | | |
|------|-----------------|------|------|
| 器具品名 | 高天井用LEDランプ | 保守率 | |
| 器具品番 | LDR172N-E39/60 | 良 | - |
| 部品品名 | - | 中 | - |
| 部品品番 | - | 否 | - |
| | | 器具効率 | |
| 器具光束 | 14400lm | 上方向 | 0% |
| 光源 | LED | 下方向 | 100% |
| 光源光束 | 一体型器具のため、器具光束表示 | 全方向 | 100% |



照明率表

| 反射率 | 天井 | 80 | | | | | | | | | | | | | | | | 70 | | | | 50 | | | | 30 | | | | 0 | | | |
|-------------|------|-----|-----|-----|-----|-----|-----|-----|-----|-----|-----|-----|-----|-----|-----|-----|-----|-----|-----|-----|-----|-----|-----|-----|-----|-----|-----|----|--|---|--|--|--|
| | | 壁 | | 70 | | 50 | | 30 | | 10 | | 70 | | 50 | | 30 | | 10 | | 50 | | 30 | | 10 | | 30 | | 10 | | 0 | | | |
| | | 床 | | | | | | | | | | | | | | | | | | | | | | | | | | | | | | | |
| 室 指 数 | 0.4 | 69 | 65 | 56 | 54 | 49 | 48 | 44 | 68 | 64 | 56 | 54 | 49 | 48 | 44 | 55 | 53 | 48 | 47 | 44 | 48 | 47 | 44 | 48 | 47 | 44 | 42 | | | | | | |
| | 0.6 | 90 | 83 | 77 | 73 | 69 | 67 | 62 | 88 | 81 | 76 | 72 | 68 | 66 | 62 | 74 | 71 | 67 | 66 | 62 | 67 | 65 | 62 | 67 | 65 | 62 | 60 | | | | | | |
| | 0.8 | 102 | 92 | 89 | 83 | 81 | 77 | 73 | 99 | 91 | 88 | 83 | 80 | 77 | 73 | 85 | 81 | 79 | 76 | 73 | 77 | 76 | 73 | 77 | 76 | 72 | 71 | | | | | | |
| | 1 | 109 | 98 | 97 | 90 | 89 | 84 | 80 | 107 | 97 | 96 | 89 | 88 | 84 | 80 | 93 | 88 | 86 | 83 | 79 | 85 | 82 | 79 | 85 | 82 | 79 | 77 | | | | | | |
| | 1.25 | 116 | 103 | 105 | 96 | 97 | 91 | 87 | 113 | 102 | 103 | 95 | 96 | 91 | 87 | 100 | 94 | 93 | 90 | 86 | 91 | 89 | 85 | 89 | 85 | 84 | | | | | | | |
| | 1.5 | 121 | 107 | 110 | 100 | 103 | 95 | 91 | 118 | 105 | 108 | 99 | 101 | 95 | 91 | 104 | 98 | 98 | 94 | 90 | 96 | 93 | 90 | 96 | 93 | 90 | 88 | | | | | | |
| | 2 | 127 | 111 | 118 | 106 | 111 | 101 | 98 | 123 | 109 | 115 | 105 | 109 | 101 | 97 | 110 | 103 | 105 | 99 | 96 | 102 | 98 | 96 | 102 | 98 | 95 | 93 | | | | | | |
| | 2.5 | 131 | 113 | 123 | 109 | 117 | 105 | 102 | 127 | 112 | 120 | 108 | 114 | 105 | 102 | 115 | 106 | 110 | 103 | 100 | 106 | 102 | 99 | 106 | 102 | 99 | 97 | | | | | | |
| | 3 | 134 | 115 | 127 | 111 | 121 | 108 | 105 | 130 | 114 | 124 | 110 | 118 | 107 | 105 | 118 | 108 | 113 | 106 | 103 | 109 | 104 | 102 | 109 | 104 | 102 | 100 | | | | | | |
| | 4 | 138 | 117 | 132 | 115 | 127 | 112 | 110 | 133 | 116 | 129 | 113 | 124 | 111 | 109 | 122 | 111 | 118 | 109 | 107 | 113 | 107 | 106 | 113 | 107 | 106 | 103 | | | | | | |
| 5 | 140 | 119 | 136 | 117 | 132 | 115 | 113 | 136 | 117 | 132 | 115 | 128 | 114 | 112 | 124 | 113 | 121 | 112 | 110 | 115 | 110 | 108 | 115 | 110 | 108 | 106 | | | | | | | |
| 7 | 143 | 120 | 140 | 119 | 137 | 118 | 116 | 138 | 119 | 135 | 118 | 133 | 116 | 115 | 127 | 115 | 125 | 114 | 113 | 119 | 112 | 111 | 119 | 112 | 111 | 108 | | | | | | | |
| 10 | 145 | 122 | 143 | 121 | 141 | 120 | 119 | 140 | 120 | 138 | 119 | 136 | 119 | 118 | 130 | 117 | 128 | 116 | 116 | 121 | 114 | 114 | 121 | 114 | 114 | 111 | | | | | | | |

配光曲線



直射水平面照度

