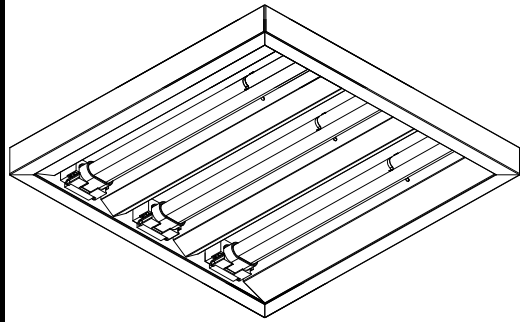


ECOHiLUX照明器具 配光データシート

意匠図

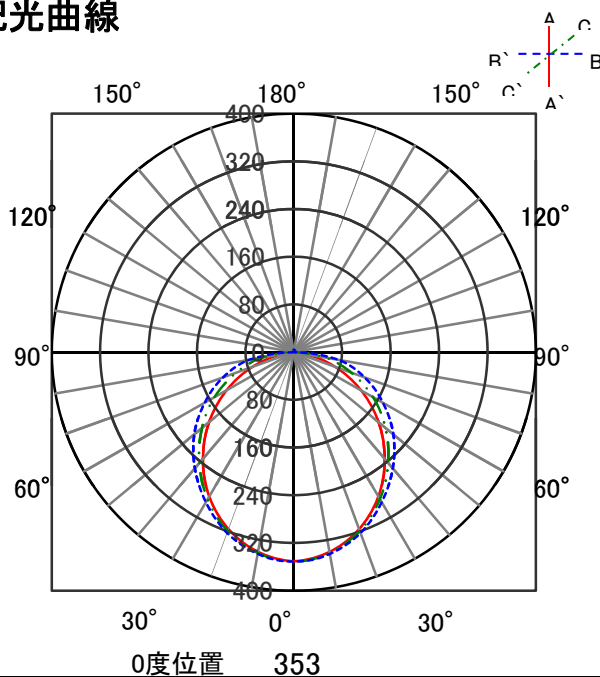
| | | | |
|------|--------------------------|------|------|
| 器具品名 | コンパクト蛍光灯LED代替器具 36形3灯 | 保守率 | |
| 器具品番 | CPB36-CL3-I | 良 | 0.81 |
| 部品品名 | - | 中 | 0.77 |
| 部品品番 | - | 否 | 0.68 |
| | | 器具効率 | |
| 器具光束 | 5600lm | 上方向 | 0% |
| 光源 | LDCP36D/14/20B | 下方向 | 95% |
| 光源光束 | 1975lm × 3 | 全方向 | 95% |



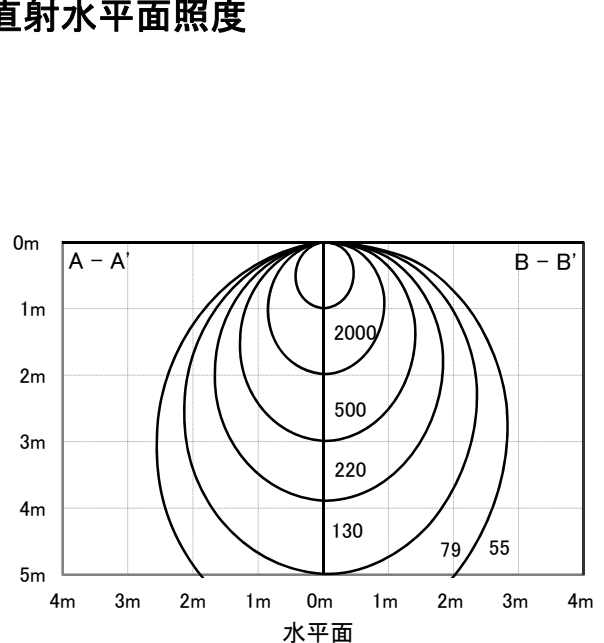
照明率表

| | | 作業面照明率(×0.01) | | | | | | | | | | | | | | | | | | | | | | | | | | | |
|-------------|------|---------------|-----|-----|-----|-----|-----|-----|-----|-----|-----|-----|-----|----|-----|----|-----|----|----|-----|----|----|----|----|----|----|----|----|---|
| 反射率 | 天井 | 80 | | | | | | 70 | | | | | | 50 | | | | | | 30 | | 0 | | | | | | | |
| | | 壁 | | 70 | | 50 | | 30 | | 10 | | 70 | | 50 | | 30 | | 10 | | 50 | | 30 | | 10 | | 30 | | 10 | |
| | 床 | 30 | 10 | 30 | 10 | 30 | 10 | 10 | 30 | 10 | 30 | 10 | 30 | 10 | 10 | 30 | 10 | 30 | 10 | 10 | 30 | 10 | 30 | 10 | 10 | 30 | 10 | 10 | 0 |
| 室 指 数 | 0.4 | 46 | 43 | 32 | 31 | 24 | 24 | 19 | 44 | 42 | 31 | 30 | 24 | 24 | 19 | 31 | 30 | 24 | 23 | 19 | 23 | 23 | 19 | 17 | | | | | |
| | 0.6 | 63 | 58 | 48 | 46 | 39 | 38 | 33 | 61 | 57 | 47 | 45 | 39 | 38 | 33 | 46 | 44 | 38 | 37 | 32 | 37 | 37 | 32 | 30 | | | | | |
| | 0.8 | 73 | 66 | 58 | 54 | 48 | 46 | 40 | 71 | 65 | 57 | 54 | 48 | 46 | 40 | 55 | 52 | 46 | 45 | 40 | 45 | 44 | 40 | 37 | | | | | |
| | 1 | 82 | 73 | 67 | 62 | 57 | 54 | 48 | 79 | 72 | 66 | 61 | 56 | 54 | 48 | 63 | 60 | 55 | 53 | 48 | 53 | 52 | 47 | 45 | | | | | |
| | 1.25 | 90 | 80 | 77 | 70 | 67 | 63 | 57 | 87 | 78 | 75 | 69 | 66 | 62 | 57 | 71 | 67 | 64 | 61 | 56 | 62 | 60 | 55 | 53 | | | | | |
| | 1.5 | 95 | 84 | 82 | 75 | 73 | 68 | 62 | 92 | 82 | 80 | 74 | 72 | 67 | 62 | 76 | 72 | 69 | 66 | 61 | 67 | 64 | 60 | 57 | | | | | |
| | 2 | 103 | 90 | 92 | 82 | 83 | 76 | 70 | 100 | 88 | 89 | 81 | 81 | 75 | 70 | 85 | 79 | 78 | 73 | 69 | 75 | 72 | 68 | 65 | | | | | |
| | 2.5 | 109 | 94 | 99 | 87 | 91 | 82 | 77 | 105 | 92 | 96 | 86 | 89 | 81 | 76 | 90 | 84 | 85 | 79 | 75 | 81 | 78 | 74 | 71 | | | | | |
| | 3 | 112 | 96 | 103 | 91 | 96 | 86 | 81 | 108 | 95 | 100 | 89 | 93 | 85 | 81 | 94 | 87 | 89 | 83 | 79 | 85 | 81 | 78 | 75 | | | | | |
| | 4 | 117 | 99 | 110 | 95 | 103 | 91 | 87 | 112 | 98 | 106 | 94 | 100 | 90 | 86 | 99 | 91 | 95 | 88 | 85 | 90 | 86 | 83 | 80 | | | | | |
| 5 | 120 | 101 | 114 | 98 | 108 | 94 | 91 | 115 | 100 | 110 | 96 | 105 | 93 | 90 | 103 | 94 | 99 | 91 | 89 | 94 | 89 | 87 | 84 | | | | | | |
| 7 | 123 | 104 | 119 | 101 | 114 | 98 | 96 | 119 | 102 | 114 | 100 | 111 | 97 | 95 | 107 | 97 | 104 | 95 | 93 | 98 | 93 | 91 | 88 | | | | | | |
| 10 | 126 | 105 | 123 | 103 | 119 | 101 | 100 | 121 | 104 | 118 | 102 | 115 | 100 | 99 | 110 | 99 | 108 | 98 | 97 | 101 | 96 | 95 | 91 | | | | | | |

配光曲線



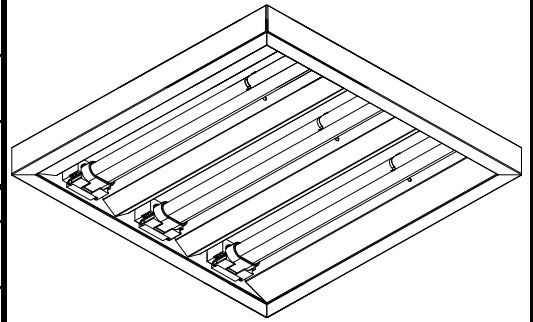
直射水平面照度



ECOHiLUX照明器具 配光データシート

意匠図

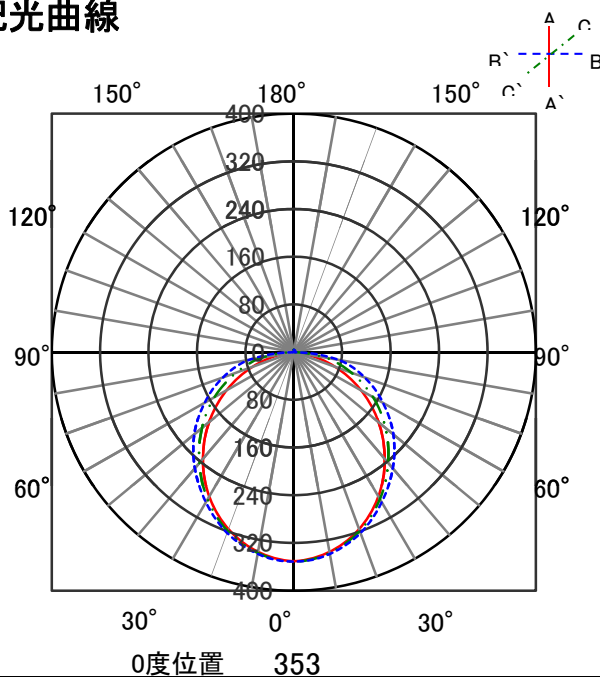
| | | | |
|------|--------------------------|------|------|
| 器具品名 | コンパクト蛍光灯LED代替器具 36形3灯 | 保守率 | |
| 器具品番 | CPB36-CL3-I | 良 | 0.81 |
| 部品品名 | - | 中 | 0.77 |
| 部品品番 | - | 否 | 0.68 |
| 器具光束 | 5670lm | 器具効率 | |
| 光源 | LDCP36N/14/20B | 上方向 | 0% |
| 光源光束 | 2000lm × 3 | 下方向 | 95% |
| | | 全方向 | 95% |



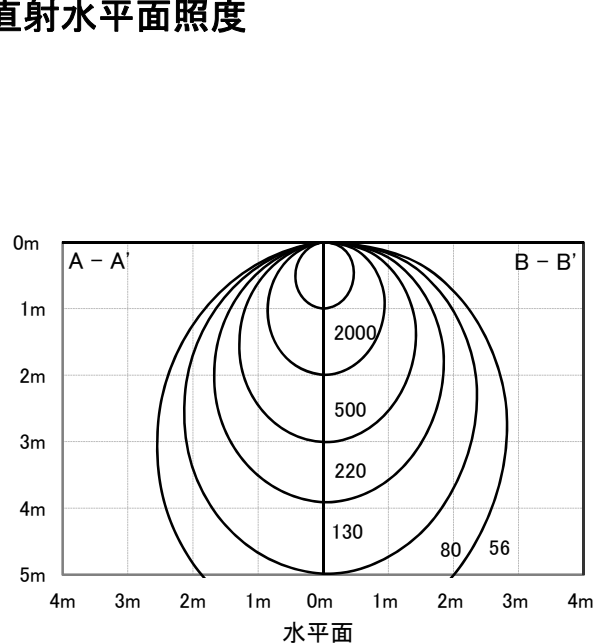
照明率表

| | | 作業面照明率(×0.01) | | | | | | | | | | | | | | | | | | | | | | |
|-------------|------|---------------|-----|-----|-----|-----|-----|-----|-----|-----|-----|-----|-----|----|-----|----|-----|----|----|-----|----|----|----|----|
| 反射率 | 天井 | 80 | | | | | | | | 70 | | | | 50 | | | | 30 | | 0 | | | | |
| | | 壁 | | 70 | | 50 | | 30 | | 10 | | 70 | | 50 | | 30 | | 10 | | 30 | | 10 | | 0 |
| | 床 | 30 | 10 | 30 | 10 | 30 | 10 | 10 | 30 | 10 | 30 | 10 | 30 | 10 | 10 | 30 | 10 | 30 | 10 | 10 | 30 | 10 | 10 | 0 |
| 室 指 数 | 0.4 | 46 | 43 | 32 | 31 | 24 | 24 | 19 | 44 | 42 | 31 | 30 | 24 | 24 | 19 | 31 | 30 | 24 | 23 | 19 | 23 | 23 | 19 | 17 |
| | 0.6 | 63 | 58 | 48 | 46 | 39 | 38 | 33 | 61 | 57 | 47 | 45 | 39 | 38 | 33 | 46 | 44 | 38 | 37 | 32 | 37 | 37 | 32 | 30 |
| | 0.8 | 73 | 66 | 58 | 54 | 48 | 46 | 40 | 71 | 65 | 57 | 54 | 48 | 46 | 40 | 55 | 52 | 46 | 45 | 40 | 45 | 44 | 40 | 37 |
| | 1 | 82 | 73 | 67 | 62 | 57 | 54 | 48 | 79 | 72 | 66 | 61 | 56 | 54 | 48 | 63 | 60 | 55 | 53 | 48 | 53 | 52 | 47 | 45 |
| | 1.25 | 90 | 80 | 77 | 70 | 67 | 63 | 57 | 87 | 78 | 75 | 69 | 66 | 62 | 57 | 71 | 67 | 64 | 61 | 56 | 62 | 60 | 55 | 53 |
| | 1.5 | 95 | 84 | 82 | 75 | 73 | 68 | 62 | 92 | 82 | 80 | 74 | 72 | 67 | 62 | 76 | 72 | 69 | 66 | 61 | 67 | 64 | 60 | 57 |
| | 2 | 103 | 90 | 92 | 82 | 83 | 76 | 70 | 100 | 88 | 89 | 81 | 81 | 75 | 70 | 85 | 79 | 78 | 73 | 69 | 75 | 72 | 68 | 65 |
| | 2.5 | 109 | 94 | 99 | 87 | 91 | 82 | 77 | 105 | 92 | 96 | 86 | 89 | 81 | 76 | 90 | 84 | 85 | 79 | 75 | 81 | 78 | 74 | 71 |
| | 3 | 112 | 96 | 103 | 91 | 96 | 86 | 81 | 108 | 95 | 100 | 89 | 93 | 85 | 81 | 94 | 87 | 89 | 83 | 79 | 85 | 81 | 78 | 75 |
| | 4 | 117 | 99 | 110 | 95 | 103 | 91 | 87 | 112 | 98 | 106 | 94 | 100 | 90 | 86 | 99 | 91 | 95 | 88 | 85 | 90 | 86 | 83 | 80 |
| 5 | 120 | 101 | 114 | 98 | 108 | 94 | 91 | 115 | 100 | 110 | 96 | 105 | 93 | 90 | 103 | 94 | 99 | 91 | 89 | 94 | 89 | 87 | 84 | |
| 7 | 123 | 104 | 119 | 101 | 114 | 98 | 96 | 119 | 102 | 114 | 100 | 111 | 97 | 95 | 107 | 97 | 104 | 95 | 93 | 98 | 93 | 91 | 88 | |
| 10 | 126 | 105 | 123 | 103 | 119 | 101 | 100 | 121 | 104 | 118 | 102 | 115 | 100 | 99 | 110 | 99 | 108 | 98 | 97 | 101 | 96 | 95 | 91 | |

配光曲線



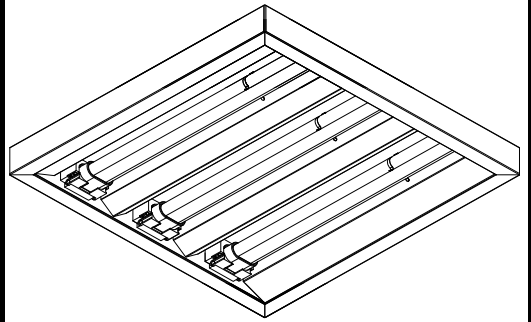
直射水平面照度



ECOHiLUX照明器具 配光データシート

意匠図

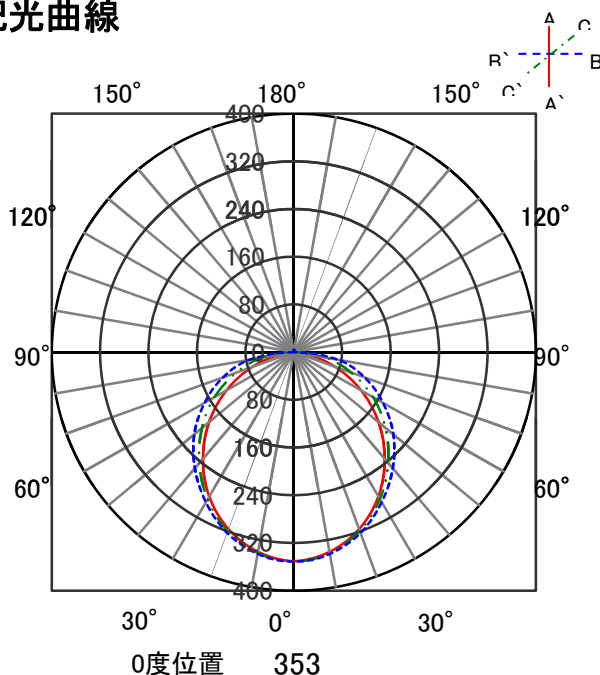
| | | | |
|------|--------------------------|------|------|
| 器具品名 | コンパクト蛍光灯LED代替器具 36形3灯 | 保守率 | |
| 器具品番 | CPB36-CL3-I | 良 | 0.81 |
| 部品品名 | - | 中 | 0.77 |
| 部品品番 | - | 否 | 0.68 |
| 器具光束 | 5600lm | 器具効率 | |
| 光源 | LDCP36W/14/20B | 上方向 | 0% |
| 光源光束 | 1975lm × 3 | 下方向 | 95% |
| | | 全方向 | 95% |



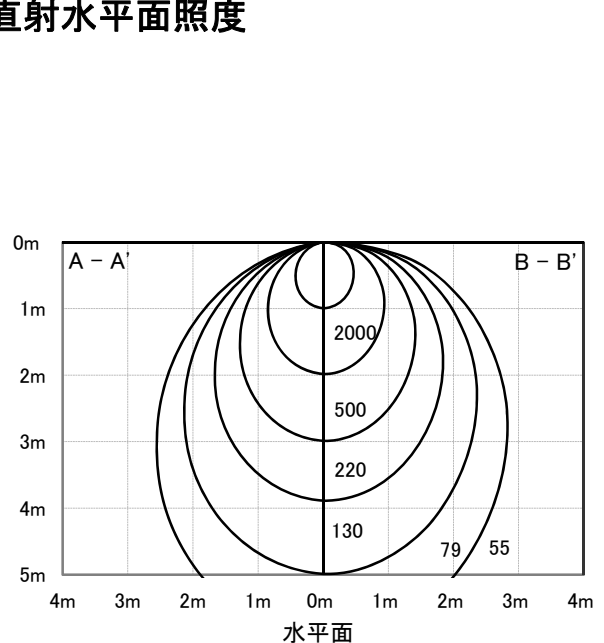
照明率表

| | | 作業面照明率(×0.01) | | | | | | | | | | | | | | | | | | | | | | | |
|-------------|------|---------------|-----|-----|-----|-----|-----|-----|-----|-----|-----|-----|-----|----|-----|----|-----|----|----|-----|----|----|----|----|---|
| 反射率 | 天井 | 80 | | | | | | | | 70 | | | | 50 | | | | 30 | | 0 | | | | | |
| | 壁 | 70 | | 50 | | 30 | | 10 | 70 | | 50 | | 30 | | 10 | 50 | | 30 | | 10 | 30 | 10 | 0 | | |
| 床 | | 30 | 10 | 30 | 10 | 30 | 10 | 10 | 30 | 10 | 30 | 10 | 30 | 10 | 10 | 30 | 10 | 30 | 10 | 10 | 30 | 10 | 30 | 10 | 0 |
| 室 指 数 | 0.4 | 46 | 43 | 32 | 31 | 24 | 24 | 19 | 44 | 42 | 31 | 30 | 24 | 24 | 19 | 31 | 30 | 24 | 23 | 19 | 23 | 23 | 19 | 17 | |
| | 0.6 | 63 | 58 | 48 | 46 | 39 | 38 | 33 | 61 | 57 | 47 | 45 | 39 | 38 | 33 | 46 | 44 | 38 | 37 | 32 | 37 | 37 | 32 | 30 | |
| | 0.8 | 73 | 66 | 58 | 54 | 48 | 46 | 40 | 71 | 65 | 57 | 54 | 48 | 46 | 40 | 55 | 52 | 46 | 45 | 40 | 45 | 44 | 40 | 37 | |
| | 1 | 82 | 73 | 67 | 62 | 57 | 54 | 48 | 79 | 72 | 66 | 61 | 56 | 54 | 48 | 63 | 60 | 55 | 53 | 48 | 53 | 52 | 47 | 45 | |
| | 1.25 | 90 | 80 | 77 | 70 | 67 | 63 | 57 | 87 | 78 | 75 | 69 | 66 | 62 | 57 | 71 | 67 | 64 | 61 | 56 | 62 | 60 | 55 | 53 | |
| | 1.5 | 95 | 84 | 82 | 75 | 73 | 68 | 62 | 92 | 82 | 80 | 74 | 72 | 67 | 62 | 76 | 72 | 69 | 66 | 61 | 67 | 64 | 60 | 57 | |
| | 2 | 103 | 90 | 92 | 82 | 83 | 76 | 70 | 100 | 88 | 89 | 81 | 81 | 75 | 70 | 85 | 79 | 78 | 73 | 69 | 75 | 72 | 68 | 65 | |
| | 2.5 | 109 | 94 | 99 | 87 | 91 | 82 | 77 | 105 | 92 | 96 | 86 | 89 | 81 | 76 | 90 | 84 | 85 | 79 | 75 | 81 | 78 | 74 | 71 | |
| | 3 | 112 | 96 | 103 | 91 | 96 | 86 | 81 | 108 | 95 | 100 | 89 | 93 | 85 | 81 | 94 | 87 | 89 | 83 | 79 | 85 | 81 | 78 | 75 | |
| | 4 | 117 | 99 | 110 | 95 | 103 | 91 | 87 | 112 | 98 | 106 | 94 | 100 | 90 | 86 | 99 | 91 | 95 | 88 | 85 | 90 | 86 | 83 | 80 | |
| 5 | 120 | 101 | 114 | 98 | 108 | 94 | 91 | 115 | 100 | 110 | 96 | 105 | 93 | 90 | 103 | 94 | 99 | 91 | 89 | 94 | 89 | 87 | 84 | | |
| 7 | 123 | 104 | 119 | 101 | 114 | 98 | 96 | 119 | 102 | 114 | 100 | 111 | 97 | 95 | 107 | 97 | 104 | 95 | 93 | 98 | 93 | 91 | 88 | | |
| 10 | 126 | 105 | 123 | 103 | 119 | 101 | 100 | 121 | 104 | 118 | 102 | 115 | 100 | 99 | 110 | 99 | 108 | 98 | 97 | 101 | 96 | 95 | 91 | | |

配光曲線



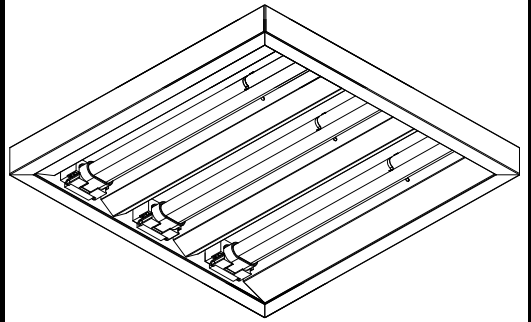
直射水平面照度



ECOHiLUX照明器具 配光データシート

意匠図

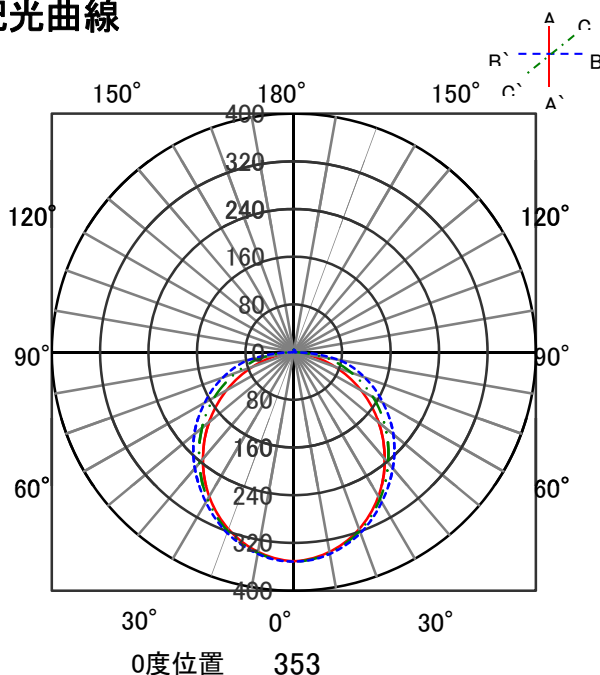
| | | | |
|------|--------------------------|------|------|
| 器具品名 | コンパクト蛍光灯LED代替器具 36形3灯 | 保守率 | |
| 器具品番 | CPB36-CL3-I | 良 | 0.81 |
| 部品品名 | - | 中 | 0.77 |
| 部品品番 | - | 否 | 0.68 |
| 器具光束 | 5530lm | 器具効率 | |
| 光源 | LDCP36WW/14/20B | 上方向 | 0% |
| 光源光束 | 1950lm × 3 | 下方向 | 95% |
| | | 全方向 | 95% |



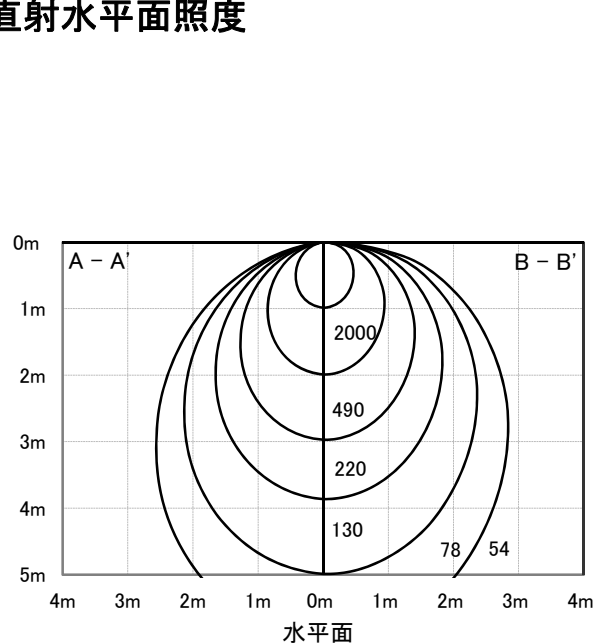
照明率表

| | | 作業面照明率(×0.01) | | | | | | | | | | | | | | | | | | | | | | | |
|-------------|------|---------------|-----|-----|-----|-----|-----|-----|-----|-----|-----|-----|-----|----|-----|----|-----|----|----|-----|----|----|----|----|---|
| 反射率 | 天井 | 80 | | | | | | | | 70 | | | | 50 | | | | 30 | | 0 | | | | | |
| | | 壁 | | 70 | | 50 | | 30 | | 10 | | 70 | | 50 | | 30 | | 10 | | 30 | | 10 | | 0 | |
| | 床 | 30 | 10 | 30 | 10 | 30 | 10 | 10 | 30 | 10 | 30 | 10 | 30 | 10 | 10 | 30 | 10 | 30 | 10 | 30 | 10 | 10 | 30 | 10 | 0 |
| 室 指 数 | 0.4 | 46 | 43 | 32 | 31 | 24 | 24 | 19 | 44 | 42 | 31 | 30 | 24 | 24 | 19 | 31 | 30 | 24 | 23 | 19 | 23 | 23 | 19 | 17 | |
| | 0.6 | 63 | 58 | 48 | 46 | 39 | 38 | 33 | 61 | 57 | 47 | 45 | 39 | 38 | 33 | 46 | 44 | 38 | 37 | 32 | 37 | 37 | 32 | 30 | |
| | 0.8 | 73 | 66 | 58 | 54 | 48 | 46 | 40 | 71 | 65 | 57 | 54 | 48 | 46 | 40 | 55 | 52 | 46 | 45 | 40 | 45 | 44 | 40 | 37 | |
| | 1 | 82 | 73 | 67 | 62 | 57 | 54 | 48 | 79 | 72 | 66 | 61 | 56 | 54 | 48 | 63 | 60 | 55 | 53 | 48 | 53 | 52 | 47 | 45 | |
| | 1.25 | 90 | 80 | 77 | 70 | 67 | 63 | 57 | 87 | 78 | 75 | 69 | 66 | 62 | 57 | 71 | 67 | 64 | 61 | 56 | 62 | 60 | 55 | 53 | |
| | 1.5 | 95 | 84 | 82 | 75 | 73 | 68 | 62 | 92 | 82 | 80 | 74 | 72 | 67 | 62 | 76 | 72 | 69 | 66 | 61 | 67 | 64 | 60 | 57 | |
| | 2 | 103 | 90 | 92 | 82 | 83 | 76 | 70 | 100 | 88 | 89 | 81 | 81 | 75 | 70 | 85 | 79 | 78 | 73 | 69 | 75 | 72 | 68 | 65 | |
| | 2.5 | 109 | 94 | 99 | 87 | 91 | 82 | 77 | 105 | 92 | 96 | 86 | 89 | 81 | 76 | 90 | 84 | 85 | 79 | 75 | 81 | 78 | 74 | 71 | |
| | 3 | 112 | 96 | 103 | 91 | 96 | 86 | 81 | 108 | 95 | 100 | 89 | 93 | 85 | 81 | 94 | 87 | 89 | 83 | 79 | 85 | 81 | 78 | 75 | |
| | 4 | 117 | 99 | 110 | 95 | 103 | 91 | 87 | 112 | 98 | 106 | 94 | 100 | 90 | 86 | 99 | 91 | 95 | 88 | 85 | 90 | 86 | 83 | 80 | |
| 5 | 120 | 101 | 114 | 98 | 108 | 94 | 91 | 115 | 100 | 110 | 96 | 105 | 93 | 90 | 103 | 94 | 99 | 91 | 89 | 94 | 89 | 87 | 84 | | |
| 7 | 123 | 104 | 119 | 101 | 114 | 98 | 96 | 119 | 102 | 114 | 100 | 111 | 97 | 95 | 107 | 97 | 104 | 95 | 93 | 98 | 93 | 91 | 88 | | |
| 10 | 126 | 105 | 123 | 103 | 119 | 101 | 100 | 121 | 104 | 118 | 102 | 115 | 100 | 99 | 110 | 99 | 108 | 98 | 97 | 101 | 96 | 95 | 91 | | |

配光曲線



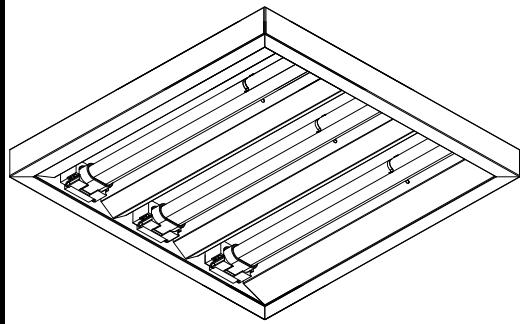
直射水平面照度



ECOHiLUX照明器具 配光データシート

意匠図

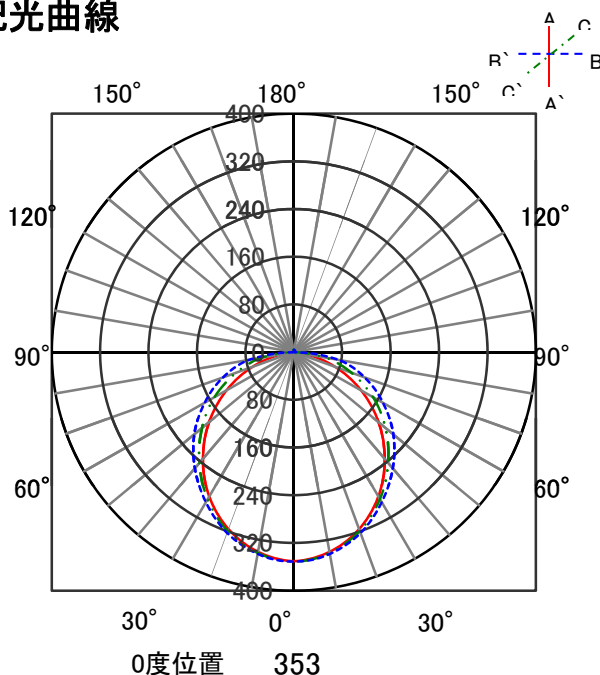
| | | | |
|------|--------------------------|------|------|
| 器具品名 | コンパクト蛍光灯LED代替器具 36形3灯 | 保守率 | |
| 器具品番 | CPB36-CL3-I | 良 | 0.81 |
| 部品品名 | - | 中 | 0.77 |
| 部品品番 | - | 否 | 0.68 |
| 器具光束 | 5390lm | 器具効率 | |
| 光源 | LDCP36L/14/19B | 上方向 | 0% |
| 光源光束 | 1900lm × 3 | 下方向 | 95% |
| | | 全方向 | 95% |



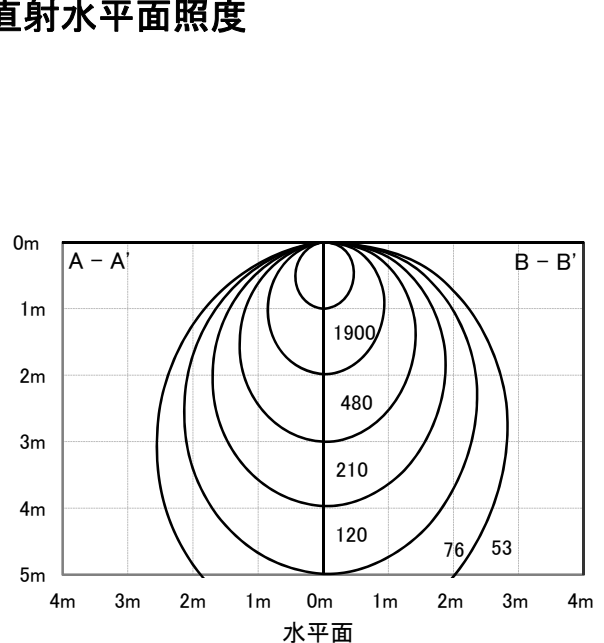
照明率表

| | | 作業面照明率(×0.01) | | | | | | | | | | | | | | | | | | | | | | |
|-------------|------|---------------|-----|-----|-----|-----|-----|-----|-----|-----|-----|-----|-----|----|-----|----|-----|----|----|-----|----|----|----|----|
| 反射率 | 天井 | 80 | | | | | | | | 70 | | | | 50 | | | | 30 | | 0 | | | | |
| | | 壁 | | 70 | | 50 | | 30 | | 10 | | 70 | | 50 | | 30 | | 10 | | 30 | | 10 | | 0 |
| | 床 | 30 | 10 | 30 | 10 | 30 | 10 | 10 | 30 | 10 | 30 | 10 | 30 | 10 | 10 | 30 | 10 | 30 | 10 | 10 | 30 | 10 | 10 | 0 |
| 室 指 数 | 0.4 | 46 | 43 | 32 | 31 | 24 | 24 | 19 | 44 | 42 | 31 | 30 | 24 | 24 | 19 | 31 | 30 | 24 | 23 | 19 | 23 | 23 | 19 | 17 |
| | 0.6 | 63 | 58 | 48 | 46 | 39 | 38 | 33 | 61 | 57 | 47 | 45 | 39 | 38 | 33 | 46 | 44 | 38 | 37 | 32 | 37 | 37 | 32 | 30 |
| | 0.8 | 73 | 66 | 58 | 54 | 48 | 46 | 40 | 71 | 65 | 57 | 54 | 48 | 46 | 40 | 55 | 52 | 46 | 45 | 40 | 45 | 44 | 40 | 37 |
| | 1 | 82 | 73 | 67 | 62 | 57 | 54 | 48 | 79 | 72 | 66 | 61 | 56 | 54 | 48 | 63 | 60 | 55 | 53 | 48 | 53 | 52 | 47 | 45 |
| | 1.25 | 90 | 80 | 77 | 70 | 67 | 63 | 57 | 87 | 78 | 75 | 69 | 66 | 62 | 57 | 71 | 67 | 64 | 61 | 56 | 62 | 60 | 55 | 53 |
| | 1.5 | 95 | 84 | 82 | 75 | 73 | 68 | 62 | 92 | 82 | 80 | 74 | 72 | 67 | 62 | 76 | 72 | 69 | 66 | 61 | 67 | 64 | 60 | 57 |
| | 2 | 103 | 90 | 92 | 82 | 83 | 76 | 70 | 100 | 88 | 89 | 81 | 81 | 75 | 70 | 85 | 79 | 78 | 73 | 69 | 75 | 72 | 68 | 65 |
| | 2.5 | 109 | 94 | 99 | 87 | 91 | 82 | 77 | 105 | 92 | 96 | 86 | 89 | 81 | 76 | 90 | 84 | 85 | 79 | 75 | 81 | 78 | 74 | 71 |
| | 3 | 112 | 96 | 103 | 91 | 96 | 86 | 81 | 108 | 95 | 100 | 89 | 93 | 85 | 81 | 94 | 87 | 89 | 83 | 79 | 85 | 81 | 78 | 75 |
| | 4 | 117 | 99 | 110 | 95 | 103 | 91 | 87 | 112 | 98 | 106 | 94 | 100 | 90 | 86 | 99 | 91 | 95 | 88 | 85 | 90 | 86 | 83 | 80 |
| 5 | 120 | 101 | 114 | 98 | 108 | 94 | 91 | 115 | 100 | 110 | 96 | 105 | 93 | 90 | 103 | 94 | 99 | 91 | 89 | 94 | 89 | 87 | 84 | |
| 7 | 123 | 104 | 119 | 101 | 114 | 98 | 96 | 119 | 102 | 114 | 100 | 111 | 97 | 95 | 107 | 97 | 104 | 95 | 93 | 98 | 93 | 91 | 88 | |
| 10 | 126 | 105 | 123 | 103 | 119 | 101 | 100 | 121 | 104 | 118 | 102 | 115 | 100 | 99 | 110 | 99 | 108 | 98 | 97 | 101 | 96 | 95 | 91 | |

配光曲線



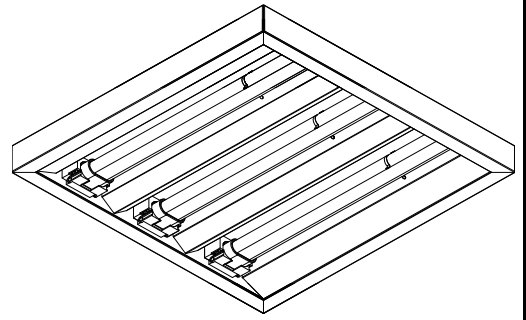
直射水平面照度



ECOHiLUX照明器具 配光データシート

意匠図

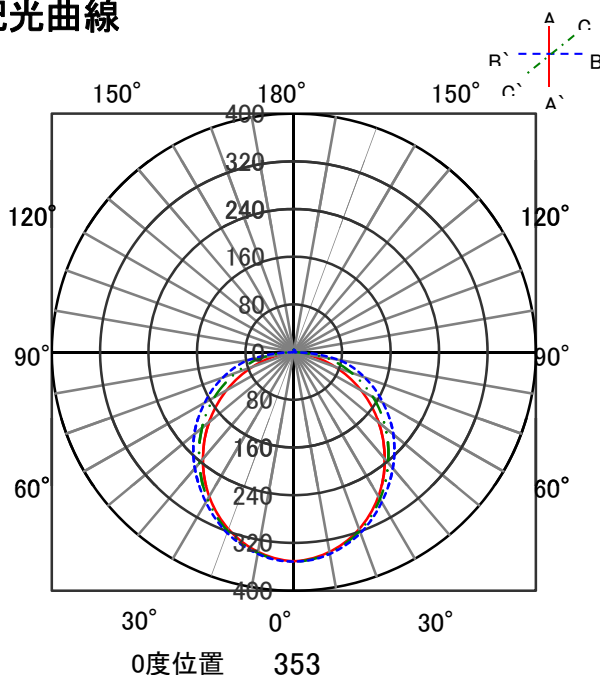
| | | | |
|------|--------------------------|------|------|
| 器具品名 | コンパクト蛍光灯LED代替器具 36形3灯 | 保守率 | |
| 器具品番 | CPB36-CL3-I | 良 | 0.81 |
| 部品品名 | - | 中 | 0.77 |
| 部品品番 | - | 否 | 0.68 |
| 器具光束 | 4185lm | 器具効率 | |
| 光源 | LDCP36D/10/15B | 上方向 | 0% |
| 光源光束 | 1475lm × 3 | 下方向 | 95% |
| | | 全方向 | 95% |



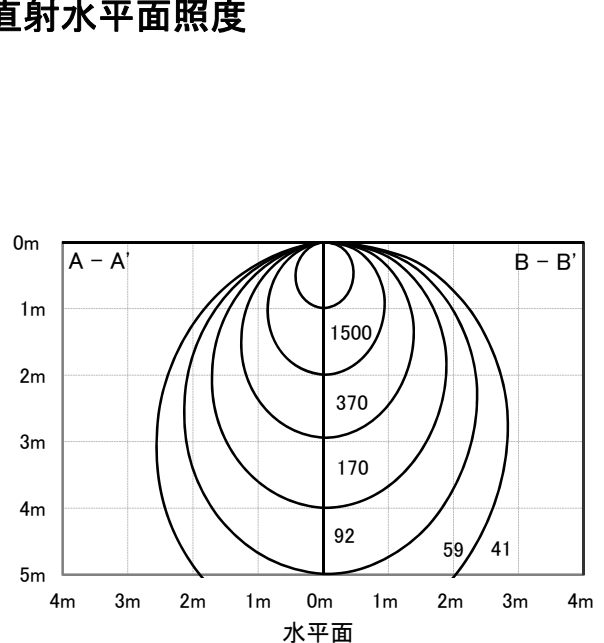
照明率表

| | | 作業面照明率(×0.01) | | | | | | | | | | | | | | | | | | | | | | |
|-------------|------|---------------|-----|-----|-----|-----|-----|-----|-----|-----|-----|-----|-----|----|-----|----|-----|----|----|-----|----|----|----|----|
| 反射率 | 天井 | 80 | | | | | | | | 70 | | | | 50 | | | | 30 | | 0 | | | | |
| | | 壁 | | 70 | | 50 | | 30 | | 10 | | 70 | | 50 | | 30 | | 10 | | 30 | | 10 | | 0 |
| | 床 | 30 | 10 | 30 | 10 | 30 | 10 | 10 | 30 | 10 | 30 | 10 | 30 | 10 | 10 | 30 | 10 | 30 | 10 | 10 | 30 | 10 | 10 | 0 |
| 室 指 数 | 0.4 | 46 | 43 | 32 | 31 | 24 | 24 | 19 | 44 | 42 | 31 | 30 | 24 | 24 | 19 | 31 | 30 | 24 | 23 | 19 | 23 | 23 | 19 | 17 |
| | 0.6 | 63 | 58 | 48 | 46 | 39 | 38 | 33 | 61 | 57 | 47 | 45 | 39 | 38 | 33 | 46 | 44 | 38 | 37 | 32 | 37 | 37 | 32 | 30 |
| | 0.8 | 73 | 66 | 58 | 54 | 48 | 46 | 40 | 71 | 65 | 57 | 54 | 48 | 46 | 40 | 55 | 52 | 46 | 45 | 40 | 45 | 44 | 40 | 37 |
| | 1 | 82 | 73 | 67 | 62 | 57 | 54 | 48 | 79 | 72 | 66 | 61 | 56 | 54 | 48 | 63 | 60 | 55 | 53 | 48 | 53 | 52 | 47 | 45 |
| | 1.25 | 90 | 80 | 77 | 70 | 67 | 63 | 57 | 87 | 78 | 75 | 69 | 66 | 62 | 57 | 71 | 67 | 64 | 61 | 56 | 62 | 60 | 55 | 53 |
| | 1.5 | 95 | 84 | 82 | 75 | 73 | 68 | 62 | 92 | 82 | 80 | 74 | 72 | 67 | 62 | 76 | 72 | 69 | 66 | 61 | 67 | 64 | 60 | 57 |
| | 2 | 103 | 90 | 92 | 82 | 83 | 76 | 70 | 100 | 88 | 89 | 81 | 81 | 75 | 70 | 85 | 79 | 78 | 73 | 69 | 75 | 72 | 68 | 65 |
| | 2.5 | 109 | 94 | 99 | 87 | 91 | 82 | 77 | 105 | 92 | 96 | 86 | 89 | 81 | 76 | 90 | 84 | 85 | 79 | 75 | 81 | 78 | 74 | 71 |
| | 3 | 112 | 96 | 103 | 91 | 96 | 86 | 81 | 108 | 95 | 100 | 89 | 93 | 85 | 81 | 94 | 87 | 89 | 83 | 79 | 85 | 81 | 78 | 75 |
| | 4 | 117 | 99 | 110 | 95 | 103 | 91 | 87 | 112 | 98 | 106 | 94 | 100 | 90 | 86 | 99 | 91 | 95 | 88 | 85 | 90 | 86 | 83 | 80 |
| 5 | 120 | 101 | 114 | 98 | 108 | 94 | 91 | 115 | 100 | 110 | 96 | 105 | 93 | 90 | 103 | 94 | 99 | 91 | 89 | 94 | 89 | 87 | 84 | |
| 7 | 123 | 104 | 119 | 101 | 114 | 98 | 96 | 119 | 102 | 114 | 100 | 111 | 97 | 95 | 107 | 97 | 104 | 95 | 93 | 98 | 93 | 91 | 88 | |
| 10 | 126 | 105 | 123 | 103 | 119 | 101 | 100 | 121 | 104 | 118 | 102 | 115 | 100 | 99 | 110 | 99 | 108 | 98 | 97 | 101 | 96 | 95 | 91 | |

配光曲線



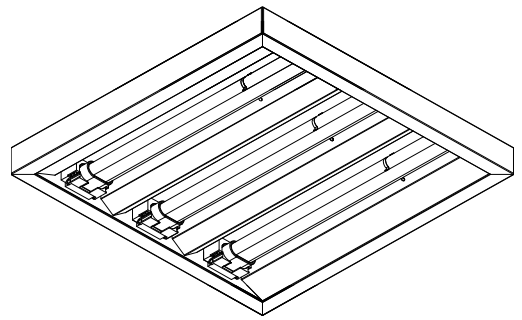
直射水平面照度



ECOHiLUX照明器具 配光データシート

意匠図

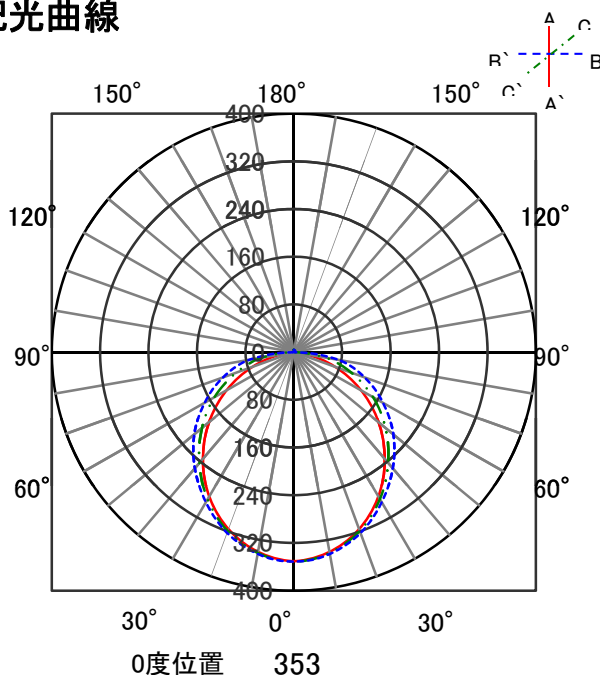
| | | | |
|------|--------------------------|------|------|
| 器具品名 | コンパクト蛍光灯LED代替器具 36形3灯 | 保守率 | |
| 器具品番 | CPB36-CL3-I | 良 | 0.81 |
| 部品品名 | - | 中 | 0.77 |
| 部品品番 | - | 否 | 0.68 |
| | | 器具効率 | |
| 器具光束 | 4255lm | 上方向 | 0% |
| 光源 | LDCP36N/10/15B | 下方向 | 95% |
| 光源光束 | 1500lm × 3 | 全方向 | 95% |



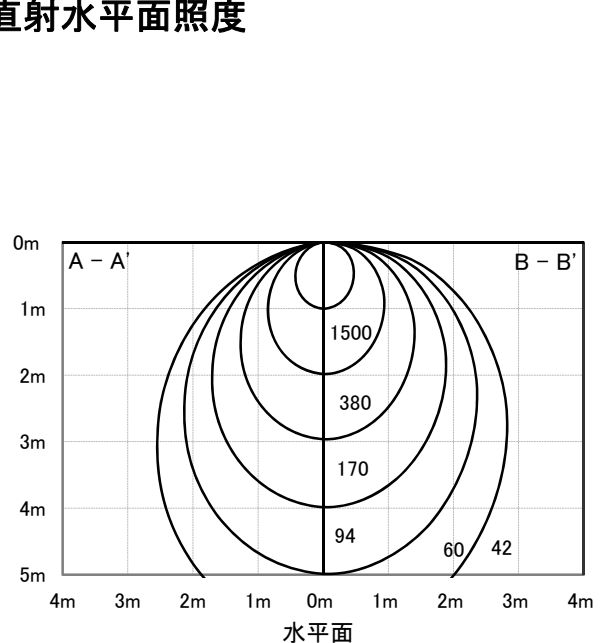
照明率表

| | | 作業面照明率(×0.01) | | | | | | | | | | | | | | | | | | | | | | |
|-------------|------|---------------|-----|-----|-----|-----|-----|-----|-----|-----|-----|-----|-----|----|-----|----|-----|----|----|-----|----|----|----|----|
| 反射率 | 天井 | 80 | | | | | | | | 70 | | | | 50 | | | | 30 | | 0 | | | | |
| | 壁 | 70 | 50 | 30 | 10 | 70 | 50 | 30 | 10 | 50 | 30 | 10 | 30 | 10 | 30 | 10 | 30 | 10 | 10 | 0 | | | | |
| 床 | | 30 | 10 | 30 | 10 | 30 | 10 | 10 | 30 | 10 | 30 | 10 | 30 | 10 | 10 | 30 | 10 | 30 | 10 | 10 | 0 | | | |
| 室 指 数 | 0.4 | 46 | 43 | 32 | 31 | 24 | 24 | 19 | 44 | 42 | 31 | 30 | 24 | 24 | 19 | 31 | 30 | 24 | 23 | 19 | 23 | 23 | 19 | 17 |
| | 0.6 | 63 | 58 | 48 | 46 | 39 | 38 | 33 | 61 | 57 | 47 | 45 | 39 | 38 | 33 | 46 | 44 | 38 | 37 | 32 | 37 | 37 | 32 | 30 |
| | 0.8 | 73 | 66 | 58 | 54 | 48 | 46 | 40 | 71 | 65 | 57 | 54 | 48 | 46 | 40 | 55 | 52 | 46 | 45 | 40 | 45 | 44 | 40 | 37 |
| | 1 | 82 | 73 | 67 | 62 | 57 | 54 | 48 | 79 | 72 | 66 | 61 | 56 | 54 | 48 | 63 | 60 | 55 | 53 | 48 | 53 | 52 | 47 | 45 |
| | 1.25 | 90 | 80 | 77 | 70 | 67 | 63 | 57 | 87 | 78 | 75 | 69 | 66 | 62 | 57 | 71 | 67 | 64 | 61 | 56 | 62 | 60 | 55 | 53 |
| | 1.5 | 95 | 84 | 82 | 75 | 73 | 68 | 62 | 92 | 82 | 80 | 74 | 72 | 67 | 62 | 76 | 72 | 69 | 66 | 61 | 67 | 64 | 60 | 57 |
| | 2 | 103 | 90 | 92 | 82 | 83 | 76 | 70 | 100 | 88 | 89 | 81 | 81 | 75 | 70 | 85 | 79 | 78 | 73 | 69 | 75 | 72 | 68 | 65 |
| | 2.5 | 109 | 94 | 99 | 87 | 91 | 82 | 77 | 105 | 92 | 96 | 86 | 89 | 81 | 76 | 90 | 84 | 85 | 79 | 75 | 81 | 78 | 74 | 71 |
| | 3 | 112 | 96 | 103 | 91 | 96 | 86 | 81 | 108 | 95 | 100 | 89 | 93 | 85 | 81 | 94 | 87 | 89 | 83 | 79 | 85 | 81 | 78 | 75 |
| | 4 | 117 | 99 | 110 | 95 | 103 | 91 | 87 | 112 | 98 | 106 | 94 | 100 | 90 | 86 | 99 | 91 | 95 | 88 | 85 | 90 | 86 | 83 | 80 |
| 5 | 120 | 101 | 114 | 98 | 108 | 94 | 91 | 115 | 100 | 110 | 96 | 105 | 93 | 90 | 103 | 94 | 99 | 91 | 89 | 94 | 89 | 87 | 84 | |
| 7 | 123 | 104 | 119 | 101 | 114 | 98 | 96 | 119 | 102 | 114 | 100 | 111 | 97 | 95 | 107 | 97 | 104 | 95 | 93 | 98 | 93 | 91 | 88 | |
| 10 | 126 | 105 | 123 | 103 | 119 | 101 | 100 | 121 | 104 | 118 | 102 | 115 | 100 | 99 | 110 | 99 | 108 | 98 | 97 | 101 | 96 | 95 | 91 | |

配光曲線



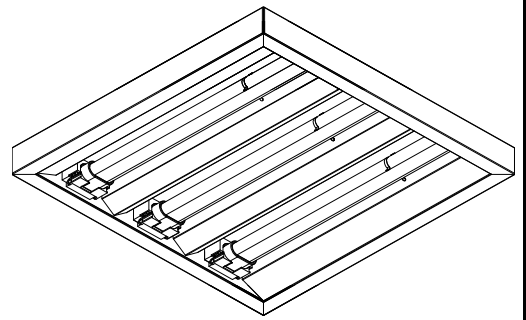
直射水平面照度



ECOHiLUX照明器具 配光データシート

意匠図

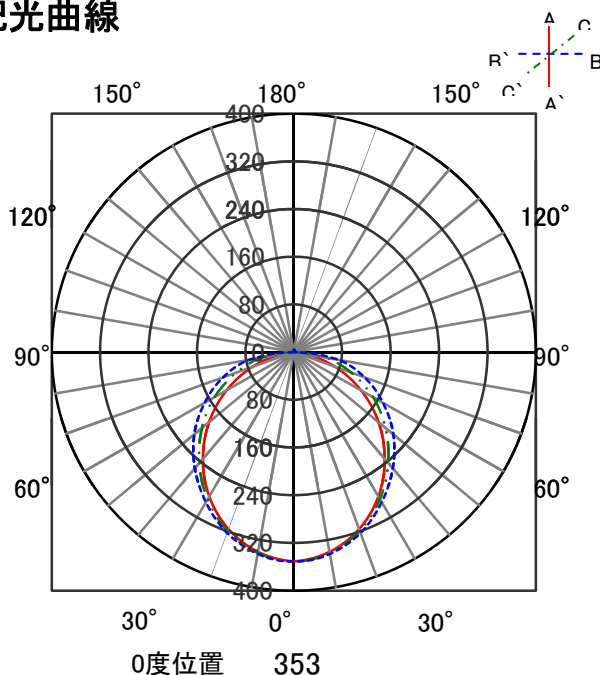
| | | | |
|------|--------------------------|------|------|
| 器具品名 | コンパクト蛍光灯LED代替器具 36形3灯 | 保守率 | |
| 器具品番 | CPB36-CL3-I | 良 | 0.81 |
| 部品品名 | - | 中 | 0.77 |
| 部品品番 | - | 否 | 0.68 |
| 器具光束 | 4185lm | 器具効率 | |
| 光源 | LDCP36W/10/15B | 上方向 | 0% |
| 光源光束 | 1475lm × 3 | 下方向 | 95% |
| | | 全方向 | 95% |



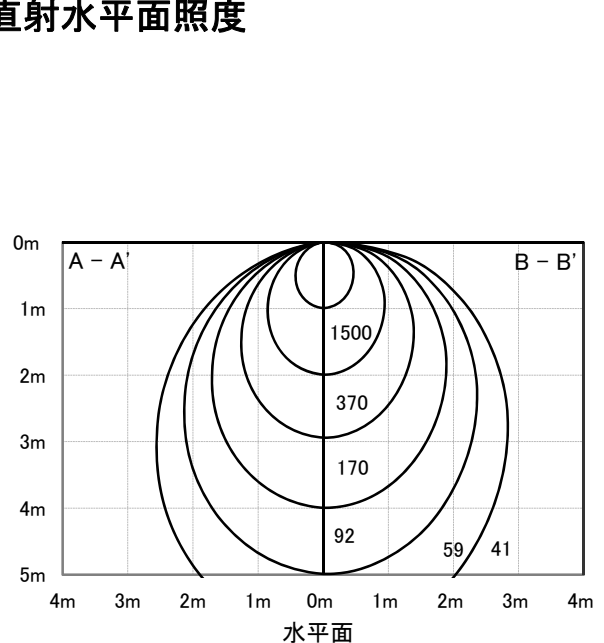
照明率表

| | | 作業面照明率(×0.01) | | | | | | | | | | | | | | | | | | | | | | |
|-------------|------|---------------|-----|-----|-----|-----|-----|-----|-----|-----|-----|-----|-----|----|-----|----|-----|----|----|-----|----|----|----|----|
| 反射率 | 天井 | 80 | | | | | | | | 70 | | | | 50 | | | | 30 | | 0 | | | | |
| | | 壁 | | 70 | | 50 | | 30 | | 10 | | 70 | | 50 | | 30 | | 10 | | 30 | | 10 | | 0 |
| | 床 | 30 | 10 | 30 | 10 | 30 | 10 | 10 | 30 | 10 | 30 | 10 | 30 | 10 | 10 | 30 | 10 | 30 | 10 | 10 | 30 | 10 | 10 | 0 |
| 室 指 数 | 0.4 | 46 | 43 | 32 | 31 | 24 | 24 | 19 | 44 | 42 | 31 | 30 | 24 | 24 | 19 | 31 | 30 | 24 | 23 | 19 | 23 | 23 | 19 | 17 |
| | 0.6 | 63 | 58 | 48 | 46 | 39 | 38 | 33 | 61 | 57 | 47 | 45 | 39 | 38 | 33 | 46 | 44 | 38 | 37 | 32 | 37 | 37 | 32 | 30 |
| | 0.8 | 73 | 66 | 58 | 54 | 48 | 46 | 40 | 71 | 65 | 57 | 54 | 48 | 46 | 40 | 55 | 52 | 46 | 45 | 40 | 45 | 44 | 40 | 37 |
| | 1 | 82 | 73 | 67 | 62 | 57 | 54 | 48 | 79 | 72 | 66 | 61 | 56 | 54 | 48 | 63 | 60 | 55 | 53 | 48 | 53 | 52 | 47 | 45 |
| | 1.25 | 90 | 80 | 77 | 70 | 67 | 63 | 57 | 87 | 78 | 75 | 69 | 66 | 62 | 57 | 71 | 67 | 64 | 61 | 56 | 62 | 60 | 55 | 53 |
| | 1.5 | 95 | 84 | 82 | 75 | 73 | 68 | 62 | 92 | 82 | 80 | 74 | 72 | 67 | 62 | 76 | 72 | 69 | 66 | 61 | 67 | 64 | 60 | 57 |
| | 2 | 103 | 90 | 92 | 82 | 83 | 76 | 70 | 100 | 88 | 89 | 81 | 81 | 75 | 70 | 85 | 79 | 78 | 73 | 69 | 75 | 72 | 68 | 65 |
| | 2.5 | 109 | 94 | 99 | 87 | 91 | 82 | 77 | 105 | 92 | 96 | 86 | 89 | 81 | 76 | 90 | 84 | 85 | 79 | 75 | 81 | 78 | 74 | 71 |
| | 3 | 112 | 96 | 103 | 91 | 96 | 86 | 81 | 108 | 95 | 100 | 89 | 93 | 85 | 81 | 94 | 87 | 89 | 83 | 79 | 85 | 81 | 78 | 75 |
| | 4 | 117 | 99 | 110 | 95 | 103 | 91 | 87 | 112 | 98 | 106 | 94 | 100 | 90 | 86 | 99 | 91 | 95 | 88 | 85 | 90 | 86 | 83 | 80 |
| 5 | 120 | 101 | 114 | 98 | 108 | 94 | 91 | 115 | 100 | 110 | 96 | 105 | 93 | 90 | 103 | 94 | 99 | 91 | 89 | 94 | 89 | 87 | 84 | |
| 7 | 123 | 104 | 119 | 101 | 114 | 98 | 96 | 119 | 102 | 114 | 100 | 111 | 97 | 95 | 107 | 97 | 104 | 95 | 93 | 98 | 93 | 91 | 88 | |
| 10 | 126 | 105 | 123 | 103 | 119 | 101 | 100 | 121 | 104 | 118 | 102 | 115 | 100 | 99 | 110 | 99 | 108 | 98 | 97 | 101 | 96 | 95 | 91 | |

配光曲線



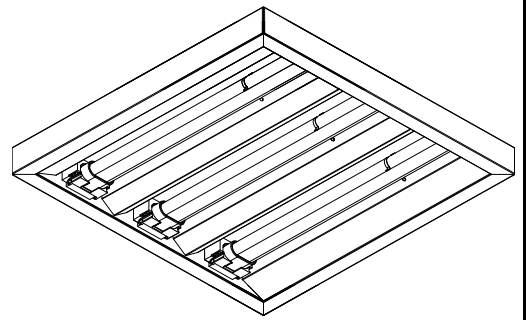
直射水平面照度



ECOHiLUX照明器具 配光データシート

意匠図

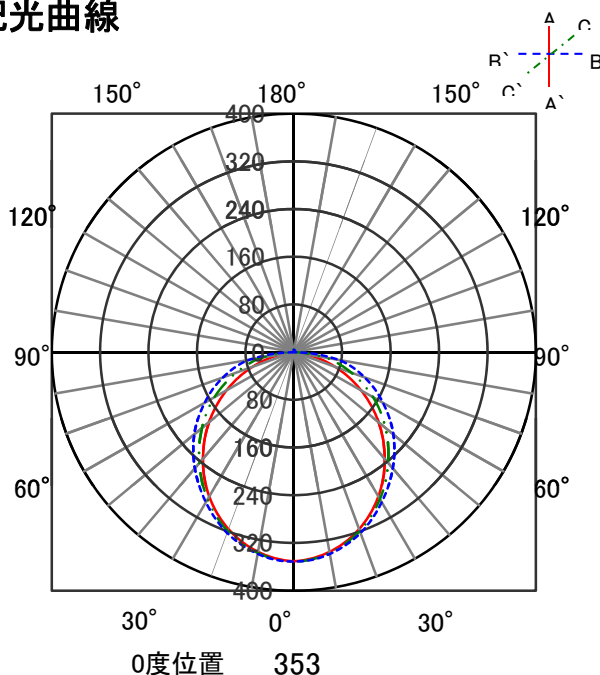
| | | | |
|------|--------------------------|------|------|
| 器具品名 | コンパクト蛍光灯LED代替器具 36形3灯 | 保守率 | |
| 器具品番 | CPB36-CL3-I | 良 | 0.81 |
| 部品品名 | - | 中 | 0.77 |
| 部品品番 | - | 否 | 0.68 |
| 器具光束 | 4110lm | 器具効率 | |
| 光源 | LDCP36WW/10/15B | 上方向 | 0% |
| 光源光束 | 1450lm × 3 | 下方向 | 95% |
| | | 全方向 | 95% |



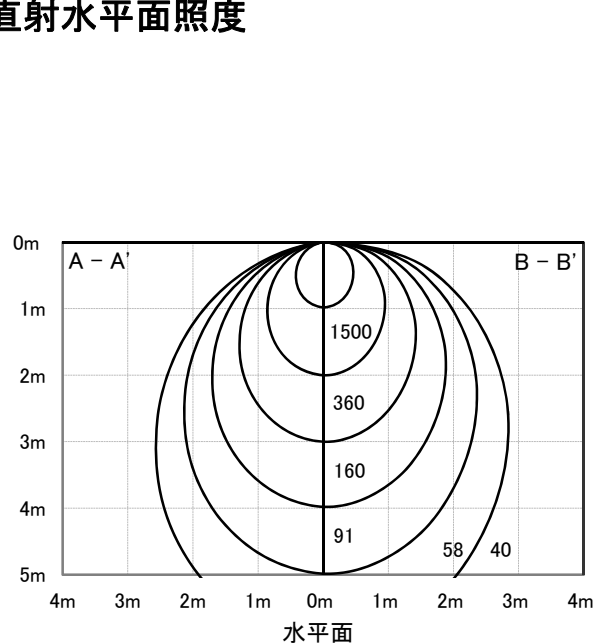
照明率表

| | | 作業面照明率(×0.01) | | | | | | | | | | | | | | | | | | | | | | | |
|-------------|------|---------------|-----|-----|-----|-----|-----|-----|-----|-----|-----|-----|-----|----|-----|----|-----|----|----|-----|----|----|----|----|---|
| 反射率 | 天井 | 80 | | | | | | | | 70 | | | | 50 | | | | 30 | | 0 | | | | | |
| | | 壁 | | 70 | | 50 | | 30 | | 10 | | 70 | | 50 | | 30 | | 10 | | 30 | | 10 | | 0 | |
| | 床 | 30 | 10 | 30 | 10 | 30 | 10 | 10 | 30 | 10 | 30 | 10 | 30 | 10 | 10 | 30 | 10 | 30 | 10 | 30 | 10 | 10 | 30 | 10 | 0 |
| 室 指 数 | 0.4 | 46 | 43 | 32 | 31 | 24 | 24 | 19 | 44 | 42 | 31 | 30 | 24 | 24 | 19 | 31 | 30 | 24 | 23 | 19 | 23 | 23 | 19 | 17 | |
| | 0.6 | 63 | 58 | 48 | 46 | 39 | 38 | 33 | 61 | 57 | 47 | 45 | 39 | 38 | 33 | 46 | 44 | 38 | 37 | 32 | 37 | 37 | 32 | 30 | |
| | 0.8 | 73 | 66 | 58 | 54 | 48 | 46 | 40 | 71 | 65 | 57 | 54 | 48 | 46 | 40 | 55 | 52 | 46 | 45 | 40 | 45 | 44 | 40 | 37 | |
| | 1 | 82 | 73 | 67 | 62 | 57 | 54 | 48 | 79 | 72 | 66 | 61 | 56 | 54 | 48 | 63 | 60 | 55 | 53 | 48 | 53 | 52 | 47 | 45 | |
| | 1.25 | 90 | 80 | 77 | 70 | 67 | 63 | 57 | 87 | 78 | 75 | 69 | 66 | 62 | 57 | 71 | 67 | 64 | 61 | 56 | 62 | 60 | 55 | 53 | |
| | 1.5 | 95 | 84 | 82 | 75 | 73 | 68 | 62 | 92 | 82 | 80 | 74 | 72 | 67 | 62 | 76 | 72 | 69 | 66 | 61 | 67 | 64 | 60 | 57 | |
| | 2 | 103 | 90 | 92 | 82 | 83 | 76 | 70 | 100 | 88 | 89 | 81 | 81 | 75 | 70 | 85 | 79 | 78 | 73 | 69 | 75 | 72 | 68 | 65 | |
| | 2.5 | 109 | 94 | 99 | 87 | 91 | 82 | 77 | 105 | 92 | 96 | 86 | 89 | 81 | 76 | 90 | 84 | 85 | 79 | 75 | 81 | 78 | 74 | 71 | |
| | 3 | 112 | 96 | 103 | 91 | 96 | 86 | 81 | 108 | 95 | 100 | 89 | 93 | 85 | 81 | 94 | 87 | 89 | 83 | 79 | 85 | 81 | 78 | 75 | |
| | 4 | 117 | 99 | 110 | 95 | 103 | 91 | 87 | 112 | 98 | 106 | 94 | 100 | 90 | 86 | 99 | 91 | 95 | 88 | 85 | 90 | 86 | 83 | 80 | |
| 5 | 120 | 101 | 114 | 98 | 108 | 94 | 91 | 115 | 100 | 110 | 96 | 105 | 93 | 90 | 103 | 94 | 99 | 91 | 89 | 94 | 89 | 87 | 84 | | |
| 7 | 123 | 104 | 119 | 101 | 114 | 98 | 96 | 119 | 102 | 114 | 100 | 111 | 97 | 95 | 107 | 97 | 104 | 95 | 93 | 98 | 93 | 91 | 88 | | |
| 10 | 126 | 105 | 123 | 103 | 119 | 101 | 100 | 121 | 104 | 118 | 102 | 115 | 100 | 99 | 110 | 99 | 108 | 98 | 97 | 101 | 96 | 95 | 91 | | |

配光曲線



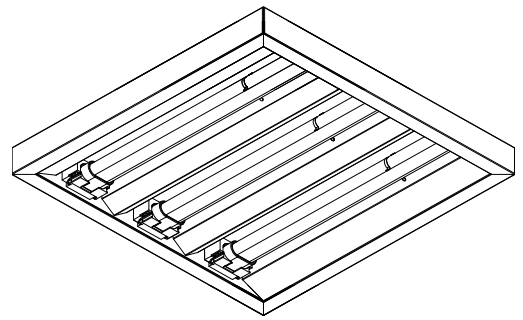
直射水平面照度



ECOHiLUX照明器具 配光データシート

意匠図

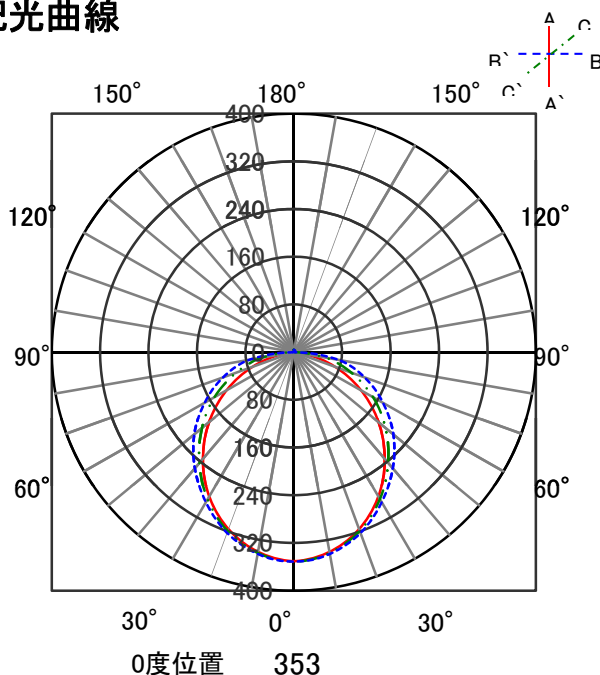
| | | | |
|------|--------------------------|------|------|
| 器具品名 | コンパクト蛍光灯LED代替器具 36形3灯 | 保守率 | |
| 器具品番 | CPB36-CL3-I | 良 | 0.81 |
| 部品品名 | - | 中 | 0.77 |
| 部品品番 | - | 否 | 0.68 |
| 器具光束 | 3970lm | 器具効率 | |
| 光源 | LDCP36L/10/14B | 上方向 | 0% |
| 光源光束 | 1400lm × 3 | 下方向 | 95% |
| | | 全方向 | 95% |



照明率表

| | | 作業面照明率(×0.01) | | | | | | | | | | | | | | | | | | | | | | |
|-----|------|---------------|-----|-----|-----|-----|-----|-----|-----|-----|-----|-----|-----|-----|----|-----|----|-----|----|----|-----|----|----|----|
| 反射率 | 天井 | 80 | | | | | | | | 70 | | | | 50 | | | | 30 | | 0 | | | | |
| | 壁 | 70 | 50 | 30 | 10 | 70 | 50 | 30 | 10 | 50 | 30 | 10 | 30 | 10 | 30 | 10 | 30 | 10 | 10 | 0 | | | | |
| 床 | | 30 | 10 | 30 | 10 | 30 | 10 | 10 | 30 | 10 | 30 | 10 | 30 | 10 | 10 | 30 | 10 | 30 | 10 | 10 | 0 | | | |
| 室 | 0.4 | 46 | 43 | 32 | 31 | 24 | 24 | 19 | 44 | 42 | 31 | 30 | 24 | 24 | 19 | 31 | 30 | 24 | 23 | 19 | 23 | 19 | 17 | |
| | 0.6 | 63 | 58 | 48 | 46 | 39 | 38 | 33 | 61 | 57 | 47 | 45 | 39 | 38 | 33 | 46 | 44 | 38 | 37 | 32 | 37 | 37 | 30 | |
| | 0.8 | 73 | 66 | 58 | 54 | 48 | 46 | 40 | 71 | 65 | 57 | 54 | 48 | 46 | 40 | 55 | 52 | 46 | 45 | 40 | 45 | 44 | 40 | 37 |
| | 1 | 82 | 73 | 67 | 62 | 57 | 54 | 48 | 79 | 72 | 66 | 61 | 56 | 54 | 48 | 63 | 60 | 55 | 53 | 48 | 53 | 52 | 47 | 45 |
| | 1.25 | 90 | 80 | 77 | 70 | 67 | 63 | 57 | 87 | 78 | 75 | 69 | 66 | 62 | 57 | 71 | 67 | 64 | 61 | 56 | 62 | 60 | 55 | 53 |
| | 1.5 | 95 | 84 | 82 | 75 | 73 | 68 | 62 | 92 | 82 | 80 | 74 | 72 | 67 | 62 | 76 | 72 | 69 | 66 | 61 | 67 | 64 | 60 | 57 |
| | 2 | 103 | 90 | 92 | 82 | 83 | 76 | 70 | 100 | 88 | 89 | 81 | 81 | 75 | 70 | 85 | 79 | 78 | 73 | 69 | 75 | 72 | 68 | 65 |
| | 2.5 | 109 | 94 | 99 | 87 | 91 | 82 | 77 | 105 | 92 | 96 | 86 | 89 | 81 | 76 | 90 | 84 | 85 | 79 | 75 | 81 | 78 | 74 | 71 |
| | 3 | 112 | 96 | 103 | 91 | 96 | 86 | 81 | 108 | 95 | 100 | 89 | 93 | 85 | 81 | 94 | 87 | 89 | 83 | 79 | 85 | 81 | 78 | 75 |
| | 4 | 117 | 99 | 110 | 95 | 103 | 91 | 87 | 112 | 98 | 106 | 94 | 100 | 90 | 86 | 99 | 91 | 95 | 88 | 85 | 90 | 86 | 83 | 80 |
| | 5 | 120 | 101 | 114 | 98 | 108 | 94 | 91 | 115 | 100 | 110 | 96 | 105 | 93 | 90 | 103 | 94 | 99 | 91 | 89 | 94 | 89 | 87 | 84 |
| | 7 | 123 | 104 | 119 | 101 | 114 | 98 | 96 | 119 | 102 | 114 | 100 | 111 | 97 | 95 | 107 | 97 | 104 | 95 | 93 | 98 | 93 | 91 | 88 |
| | 10 | 126 | 105 | 123 | 103 | 119 | 101 | 100 | 121 | 104 | 118 | 102 | 115 | 100 | 99 | 110 | 99 | 108 | 98 | 97 | 101 | 96 | 95 | 91 |

配光曲線



直射水平面照度

