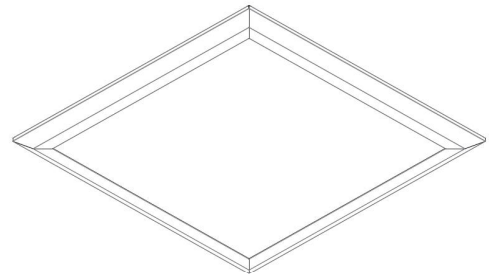


# ECOHiLUX照明器具 配光データシート

意匠図

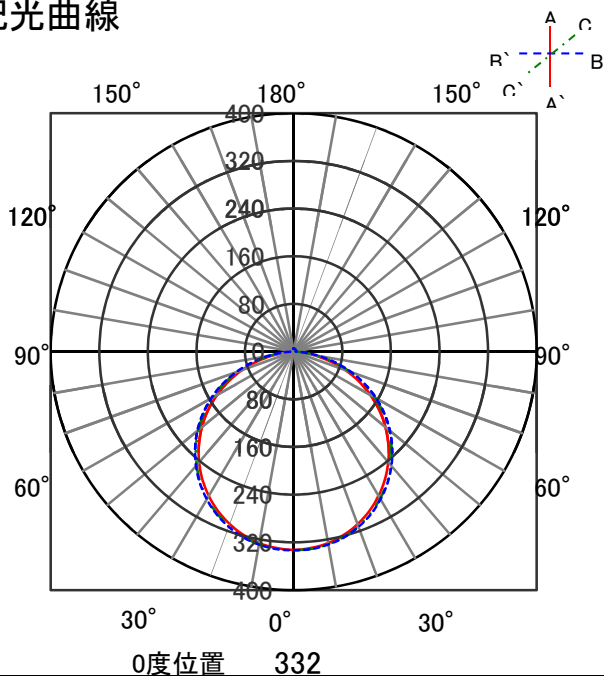
|      |                     |      |      |
|------|---------------------|------|------|
| 器具品名 | 直付型LEDベース照明         | 保守率  |      |
| 器具品番 | IRLDBL-82CL-WW-SQ68 | 良    | -    |
| 部品品名 | -                   | 中    | -    |
| 部品品番 | -                   | 否    | -    |
| 器具光束 | 7780lm              | 器具効率 |      |
| 光源   | LED                 | 上方向  | 2%   |
| 光源光束 | 一体型器具のため、器具光束表示     | 下方向  | 98%  |
|      |                     | 全方向  | 100% |



## 照明率表

|             |              | 作業面照明率(×0.01) |     |     |     |     |    |     |     |     |     |     |    |    |     |    |     |    |    |    |    |    |    |    |
|-------------|--------------|---------------|-----|-----|-----|-----|----|-----|-----|-----|-----|-----|----|----|-----|----|-----|----|----|----|----|----|----|----|
| 反射率         | 天井<br>壁<br>床 | 80            |     |     |     |     |    |     |     | 70  |     |     |    | 50 |     |    |     | 30 |    |    |    | 0  |    |    |
|             |              | 70            | 50  | 30  | 10  | 70  | 50 | 30  | 10  | 50  | 30  | 10  | 30 | 10 | 10  | 30 | 10  | 30 | 10 | 30 | 10 | 0  | 0  |    |
| 室<br>指<br>数 | 0.4          | 44            | 42  | 31  | 30  | 23  | 23 | 18  | 43  | 41  | 30  | 29  | 23 | 23 | 18  | 29 | 28  | 23 | 22 | 18 | 22 | 22 | 18 | 16 |
|             | 0.6          | 61            | 57  | 47  | 45  | 38  | 37 | 32  | 60  | 55  | 46  | 44  | 38 | 37 | 31  | 44 | 43  | 37 | 36 | 31 | 36 | 35 | 31 | 29 |
|             | 0.8          | 72            | 65  | 57  | 53  | 47  | 45 | 39  | 69  | 63  | 56  | 52  | 47 | 45 | 39  | 53 | 51  | 45 | 44 | 39 | 44 | 43 | 38 | 36 |
|             | 1            | 80            | 72  | 66  | 61  | 56  | 53 | 47  | 78  | 70  | 65  | 60  | 55 | 53 | 47  | 62 | 58  | 54 | 52 | 47 | 52 | 51 | 46 | 44 |
|             | 1.25         | 89            | 79  | 75  | 69  | 66  | 62 | 56  | 86  | 77  | 74  | 68  | 65 | 61 | 56  | 70 | 66  | 62 | 60 | 55 | 60 | 59 | 54 | 52 |
|             | 1.5          | 94            | 83  | 81  | 74  | 72  | 67 | 61  | 91  | 81  | 79  | 73  | 71 | 66 | 61  | 75 | 70  | 68 | 65 | 60 | 65 | 63 | 59 | 56 |
|             | 2            | 102           | 89  | 91  | 81  | 82  | 75 | 70  | 98  | 87  | 88  | 80  | 80 | 74 | 69  | 83 | 77  | 77 | 72 | 68 | 74 | 71 | 67 | 64 |
|             | 2.5          | 107           | 93  | 98  | 86  | 90  | 81 | 76  | 103 | 91  | 95  | 85  | 87 | 80 | 76  | 89 | 82  | 83 | 78 | 74 | 80 | 76 | 73 | 70 |
|             | 3            | 111           | 95  | 102 | 89  | 95  | 85 | 80  | 107 | 93  | 99  | 88  | 92 | 84 | 80  | 93 | 85  | 88 | 82 | 78 | 83 | 80 | 77 | 74 |
|             | 4            | 115           | 98  | 108 | 94  | 102 | 90 | 86  | 111 | 96  | 105 | 92  | 99 | 89 | 85  | 98 | 90  | 94 | 87 | 84 | 89 | 84 | 82 | 79 |
| 5           | 118          | 100           | 112 | 96  | 107 | 93  | 90 | 114 | 98  | 108 | 95  | 104 | 92 | 89 | 101 | 92 | 98  | 90 | 87 | 92 | 88 | 86 | 82 |    |
| 7           | 122          | 102           | 117 | 100 | 113 | 97  | 95 | 117 | 101 | 113 | 98  | 109 | 96 | 94 | 105 | 95 | 102 | 93 | 92 | 96 | 91 | 90 | 86 |    |
| 10          | 124          | 104           | 121 | 102 | 118 | 100 | 98 | 119 | 102 | 116 | 101 | 114 | 99 | 97 | 108 | 98 | 106 | 96 | 95 | 99 | 94 | 93 | 89 |    |

## 配光曲線



## 直射水平面照度

