

# ECOHiLUX照明器具 配光データシート

意匠図

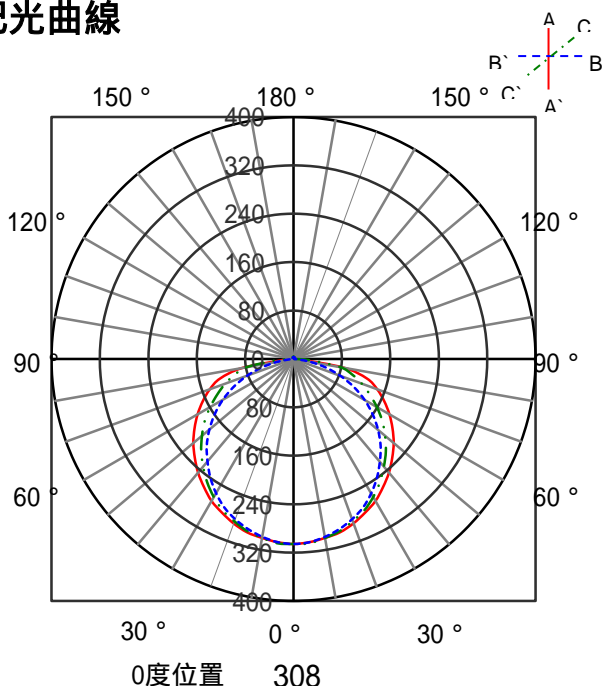
|      |                          |      |      |
|------|--------------------------|------|------|
| 器具品名 | 直管用専用器具<br>直付下面開放型110形1灯 | 保守率  |      |
| 器具品番 | IRLDFL1111CL             | 良    | 0.69 |
| 部品品名 | -                        | 中    | 0.67 |
| 部品品番 | -                        | 否    | 0.63 |
| 器具光束 | 3951lm                   | 器具効率 |      |
| 光源   | LDRd86T・WW/25/41/19S/R   | 上方向  | 0%   |
| 光源光束 | 4050lm                   | 下方向  | 98%  |
|      |                          | 全方向  | 98%  |



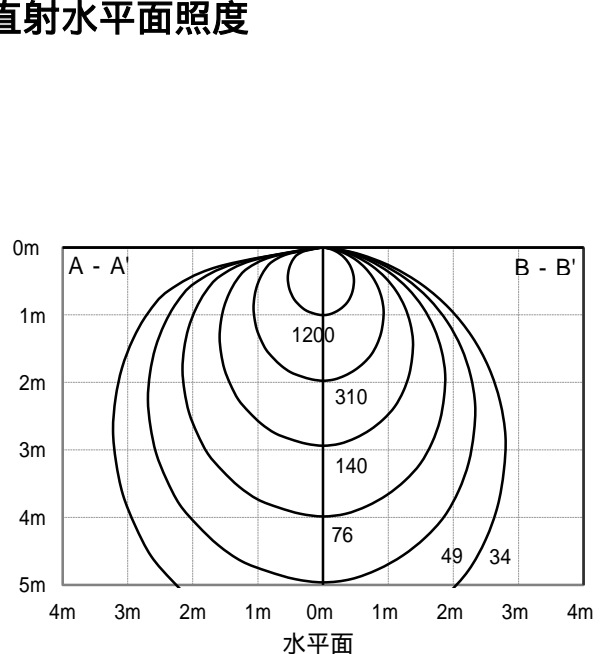
## 照明率表

|             |              | 作業面照明率(×0.01) |     |     |     |    |    |     |     |     |    |     |    |    |     |    |     |    |    |    |    |    |    |    |
|-------------|--------------|---------------|-----|-----|-----|----|----|-----|-----|-----|----|-----|----|----|-----|----|-----|----|----|----|----|----|----|----|
| 反射率         | 天井<br>壁<br>床 | 80            |     |     |     | 70 |    |     |     | 50  |    |     |    | 30 |     |    |     | 0  |    |    |    |    |    |    |
|             |              | 70            | 50  | 30  | 10  | 70 | 50 | 30  | 10  | 50  | 30 | 10  | 30 | 10 | 10  | 30 | 10  | 10 | 30 | 10 | 10 | 0  |    |    |
| 室<br>指<br>数 | 0.4          | 41            | 39  | 28  | 27  | 21 | 21 | 16  | 40  | 38  | 28 | 27  | 21 | 20 | 16  | 27 | 26  | 20 | 20 | 16 | 20 | 20 | 16 | 15 |
|             | 0.6          | 57            | 52  | 43  | 40  | 34 | 33 | 28  | 55  | 51  | 42 | 40  | 34 | 33 | 28  | 40 | 39  | 33 | 32 | 28 | 32 | 32 | 27 | 26 |
|             | 0.8          | 66            | 60  | 52  | 48  | 42 | 41 | 35  | 64  | 59  | 51 | 48  | 42 | 40 | 35  | 49 | 46  | 41 | 40 | 34 | 40 | 39 | 34 | 32 |
|             | 1            | 74            | 67  | 60  | 56  | 50 | 48 | 42  | 72  | 65  | 59 | 55  | 50 | 47 | 42  | 56 | 53  | 48 | 47 | 42 | 47 | 46 | 41 | 39 |
|             | 1.25         | 82            | 73  | 69  | 63  | 59 | 56 | 50  | 79  | 71  | 67 | 62  | 58 | 55 | 50  | 64 | 60  | 56 | 54 | 49 | 55 | 53 | 49 | 46 |
|             | 1.5          | 87            | 77  | 74  | 68  | 65 | 60 | 55  | 84  | 75  | 72 | 67  | 64 | 60 | 54  | 69 | 65  | 62 | 59 | 54 | 60 | 58 | 53 | 51 |
|             | 2            | 95            | 82  | 83  | 74  | 75 | 68 | 63  | 91  | 81  | 81 | 73  | 73 | 67 | 62  | 77 | 71  | 70 | 66 | 62 | 67 | 65 | 61 | 58 |
|             | 2.5          | 100           | 86  | 90  | 79  | 82 | 74 | 69  | 96  | 84  | 87 | 78  | 80 | 73 | 68  | 82 | 76  | 76 | 72 | 68 | 73 | 70 | 67 | 64 |
|             | 3            | 103           | 88  | 94  | 83  | 87 | 78 | 73  | 99  | 87  | 91 | 81  | 85 | 77 | 73  | 86 | 79  | 81 | 75 | 71 | 77 | 74 | 70 | 68 |
|             | 4            | 108           | 92  | 100 | 87  | 94 | 83 | 79  | 104 | 90  | 97 | 86  | 91 | 82 | 78  | 91 | 83  | 87 | 80 | 77 | 82 | 79 | 76 | 73 |
| 5           | 111          | 94            | 105 | 90  | 99  | 86 | 83 | 106 | 92  | 101 | 89 | 96  | 85 | 82 | 95  | 86 | 91  | 83 | 81 | 86 | 82 | 79 | 77 |    |
| 7           | 114          | 96            | 109 | 93  | 105 | 90 | 88 | 110 | 94  | 106 | 92 | 102 | 89 | 87 | 99  | 90 | 96  | 87 | 85 | 90 | 86 | 84 | 81 |    |
| 10          | 117          | 98            | 113 | 96  | 110 | 93 | 92 | 112 | 96  | 109 | 94 | 106 | 92 | 91 | 102 | 92 | 100 | 90 | 89 | 94 | 89 | 87 | 84 |    |

## 配光曲線



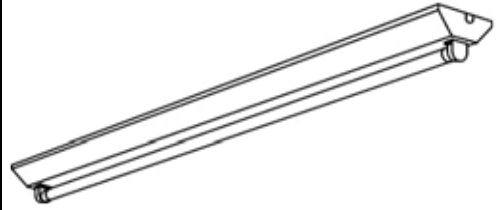
## 直射水平面照度



# ECOHiLUX照明器具 配光データシート

意匠図

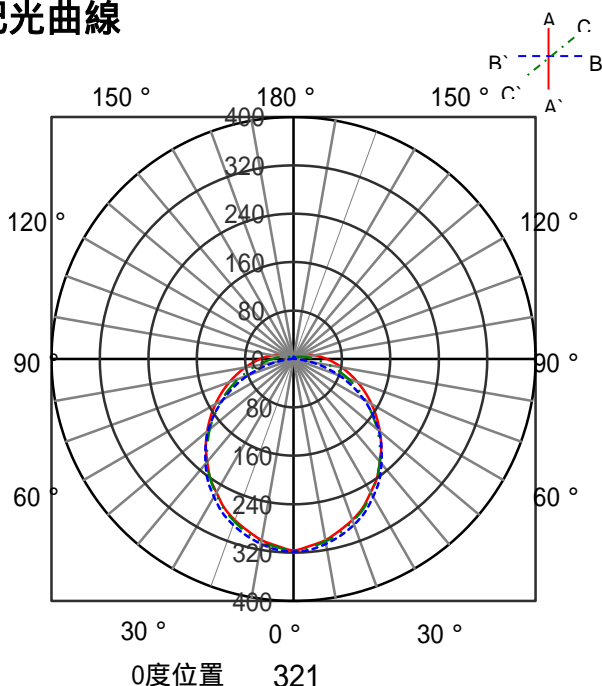
|      |                        |      |      |
|------|------------------------|------|------|
| 器具品名 | 直管用専用器具<br>逆富士型110形1灯  | 保守率  |      |
| 器具品番 | IRLDFL1111FJ           | 良    | 0.69 |
| 部品品名 | -                      | 中    | 0.67 |
| 部品品番 | -                      | 否    | 0.63 |
| 器具光束 | 3714lm                 | 器具効率 |      |
| 光源   | LDRd86T・WW/25/41/19S/R | 上方向  | 8%   |
| 光源光束 | 4050lm                 | 下方向  | 84%  |
|      |                        | 全方向  | 92%  |



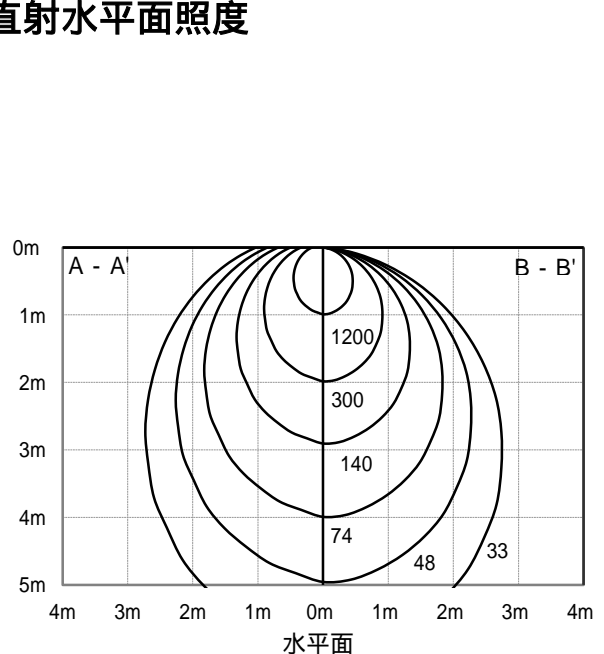
## 照明率表

|             |              | 作業面照明率(×0.01) |     |     |     |    |    |     |     |     |     |     |    |    |     |    |     |    |    |    |    |    |    |    |
|-------------|--------------|---------------|-----|-----|-----|----|----|-----|-----|-----|-----|-----|----|----|-----|----|-----|----|----|----|----|----|----|----|
| 反射率         | 天井<br>壁<br>床 | 80            |     |     |     | 70 |    |     |     | 50  |     |     |    | 30 |     |    |     | 0  |    |    |    |    |    |    |
|             |              | 70            | 50  | 30  | 10  | 70 | 50 | 30  | 10  | 50  | 30  | 10  | 30 | 10 | 10  | 30 | 10  | 10 | 0  | 0  |    |    |    |    |
| 室<br>指<br>数 | 0.4          | 43            | 41  | 29  | 28  | 22 | 21 | 17  | 42  | 39  | 29  | 28  | 21 | 21 | 17  | 27 | 26  | 21 | 20 | 16 | 20 | 20 | 16 | 14 |
|             | 0.6          | 59            | 55  | 44  | 42  | 35 | 34 | 29  | 57  | 53  | 43  | 41  | 35 | 34 | 28  | 41 | 39  | 33 | 32 | 28 | 32 | 31 | 27 | 24 |
|             | 0.8          | 69            | 63  | 54  | 50  | 44 | 42 | 36  | 66  | 61  | 52  | 49  | 43 | 41 | 35  | 49 | 47  | 41 | 40 | 35 | 39 | 38 | 34 | 31 |
|             | 1            | 78            | 70  | 62  | 58  | 52 | 50 | 43  | 74  | 67  | 61  | 57  | 51 | 49 | 43  | 57 | 54  | 49 | 47 | 42 | 46 | 45 | 40 | 37 |
|             | 1.25         | 86            | 76  | 71  | 65  | 61 | 57 | 51  | 82  | 74  | 69  | 64  | 60 | 56 | 50  | 65 | 61  | 57 | 54 | 49 | 54 | 52 | 48 | 44 |
|             | 1.5          | 91            | 80  | 77  | 70  | 67 | 62 | 56  | 87  | 78  | 75  | 68  | 65 | 61 | 55  | 70 | 65  | 62 | 59 | 54 | 59 | 57 | 52 | 48 |
|             | 2            | 99            | 86  | 87  | 77  | 77 | 70 | 64  | 94  | 83  | 83  | 76  | 75 | 69 | 64  | 77 | 72  | 70 | 66 | 62 | 66 | 64 | 60 | 56 |
|             | 2.5          | 104           | 90  | 93  | 83  | 85 | 76 | 71  | 99  | 87  | 90  | 81  | 82 | 75 | 70  | 83 | 77  | 77 | 72 | 68 | 72 | 69 | 65 | 61 |
|             | 3            | 108           | 92  | 98  | 86  | 90 | 80 | 75  | 103 | 90  | 94  | 84  | 87 | 79 | 74  | 87 | 80  | 81 | 76 | 72 | 76 | 73 | 69 | 65 |
|             | 4            | 113           | 96  | 105 | 90  | 97 | 86 | 81  | 107 | 93  | 100 | 88  | 94 | 84 | 80  | 92 | 84  | 87 | 81 | 77 | 81 | 78 | 75 | 70 |
| 5           | 116          | 98            | 109 | 93  | 103 | 89 | 85 | 110 | 95  | 104 | 91  | 99  | 88 | 84 | 96  | 87 | 91  | 84 | 81 | 85 | 81 | 78 | 73 |    |
| 7           | 120          | 100           | 114 | 97  | 109 | 94 | 91 | 114 | 98  | 109 | 95  | 105 | 92 | 89 | 100 | 91 | 97  | 88 | 86 | 89 | 85 | 83 | 78 |    |
| 10          | 122          | 102           | 118 | 100 | 115 | 97 | 95 | 117 | 100 | 113 | 98  | 110 | 95 | 93 | 104 | 94 | 101 | 92 | 90 | 93 | 88 | 86 | 81 |    |

## 配光曲線



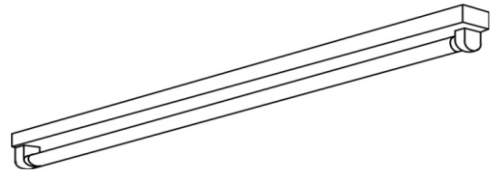
## 直射水平面照度



# ECOHiLUX照明器具 配光データシート

## 意匠図

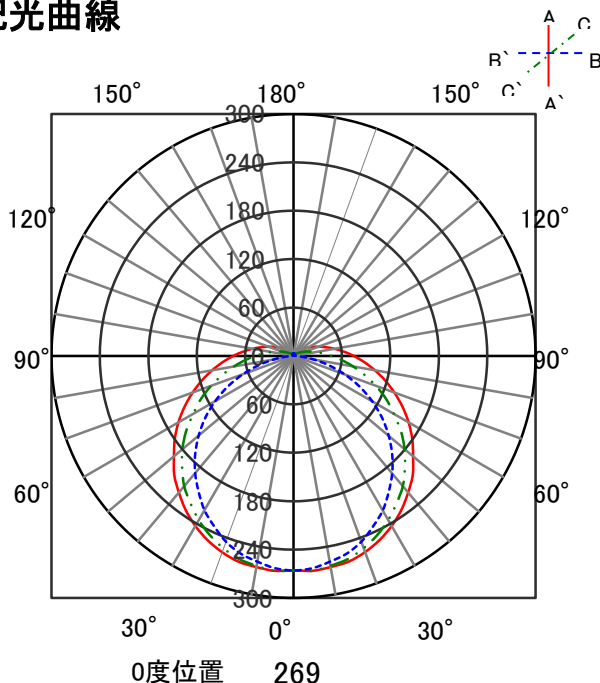
|      |                        |      |      |
|------|------------------------|------|------|
| 器具品名 | 直管用専用器具<br>トラフ型110形1灯  | 保守率  |      |
| 器具品番 | IRLDFL111TR            | 良    | 0.69 |
| 部品品名 | -                      | 中    | 0.67 |
| 部品品番 | -                      | 否    | 0.63 |
| 器具光束 | 3726lm                 | 器具効率 |      |
| 光源   | LDRd86T・WW/25/41/19S/R | 上方向  | 8%   |
| 光源光束 | 4050lm                 | 下方向  | 84%  |
|      |                        | 全方向  | 92%  |



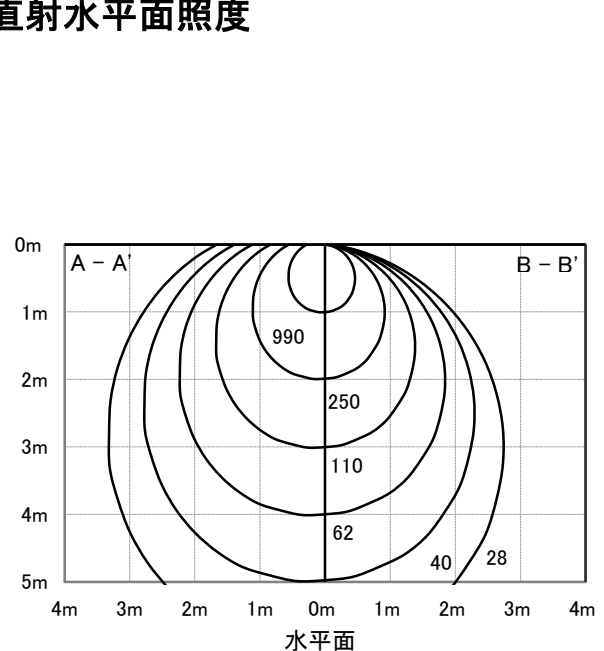
## 照明率表

|             |      | 作業面照明率(×0.01) |     |     |     |    |    |     |     |     |    |     |    |    |     |    |    |    |    |    |    |    |    |    |
|-------------|------|---------------|-----|-----|-----|----|----|-----|-----|-----|----|-----|----|----|-----|----|----|----|----|----|----|----|----|----|
| 反射率         | 天井   | 80            |     |     |     | 70 |    |     |     | 50  |    |     |    | 30 |     |    |    | 0  |    |    |    |    |    |    |
|             | 壁    | 70            | 50  | 30  | 10  | 70 | 50 | 30  | 10  | 50  | 30 | 10  | 30 | 10 | 10  | 30 | 10 | 0  |    |    |    |    |    |    |
|             | 床    | 30            | 10  | 30  | 10  | 30 | 10 | 30  | 10  | 30  | 10 | 30  | 10 | 30 | 10  | 30 | 10 | 0  |    |    |    |    |    |    |
| 室<br>指<br>数 | 0.4  | 42            | 40  | 29  | 28  | 21 | 21 | 16  | 41  | 38  | 28 | 27  | 21 | 21 | 16  | 27 | 26 | 20 | 20 | 16 | 19 | 19 | 15 | 13 |
|             | 0.6  | 58            | 54  | 43  | 41  | 34 | 33 | 28  | 56  | 52  | 42 | 40  | 34 | 33 | 27  | 40 | 38 | 32 | 32 | 27 | 31 | 30 | 26 | 23 |
|             | 0.8  | 68            | 62  | 53  | 49  | 43 | 41 | 35  | 65  | 60  | 51 | 48  | 42 | 40 | 34  | 48 | 46 | 40 | 39 | 34 | 38 | 37 | 33 | 30 |
|             | 1    | 76            | 68  | 61  | 57  | 51 | 48 | 42  | 73  | 66  | 59 | 55  | 50 | 48 | 42  | 56 | 53 | 48 | 46 | 40 | 45 | 44 | 39 | 36 |
|             | 1.25 | 84            | 75  | 70  | 64  | 60 | 56 | 50  | 81  | 72  | 68 | 63  | 58 | 55 | 49  | 63 | 60 | 55 | 53 | 48 | 53 | 51 | 47 | 43 |
|             | 1.5  | 90            | 79  | 76  | 69  | 66 | 61 | 55  | 85  | 76  | 73 | 67  | 64 | 60 | 54  | 68 | 64 | 61 | 58 | 53 | 57 | 55 | 51 | 47 |
|             | 2    | 97            | 85  | 85  | 76  | 76 | 69 | 63  | 93  | 82  | 82 | 74  | 73 | 68 | 62  | 76 | 71 | 69 | 65 | 60 | 65 | 63 | 58 | 54 |
|             | 2.5  | 103           | 89  | 92  | 81  | 83 | 75 | 70  | 98  | 86  | 88 | 79  | 80 | 73 | 68  | 82 | 76 | 75 | 71 | 66 | 71 | 68 | 64 | 60 |
|             | 3    | 106           | 91  | 97  | 85  | 88 | 79 | 74  | 101 | 89  | 93 | 83  | 85 | 77 | 73  | 85 | 79 | 80 | 74 | 70 | 75 | 71 | 68 | 63 |
|             | 4    | 111           | 94  | 103 | 89  | 96 | 84 | 80  | 106 | 92  | 99 | 87  | 92 | 83 | 79  | 91 | 83 | 86 | 79 | 76 | 80 | 76 | 73 | 68 |
| 5           | 114  | 97            | 107 | 92  | 101 | 88 | 84 | 109 | 94  | 103 | 90 | 97  | 86 | 83 | 94  | 86 | 90 | 83 | 80 | 84 | 79 | 77 | 72 |    |
| 7           | 118  | 99            | 112 | 96  | 108 | 92 | 89 | 112 | 97  | 108 | 93 | 103 | 90 | 88 | 99  | 89 | 95 | 87 | 84 | 88 | 83 | 81 | 76 |    |
| 10          | 121  | 101           | 117 | 98  | 113 | 96 | 94 | 115 | 99  | 111 | 96 | 108 | 94 | 92 | 102 | 92 | 99 | 90 | 88 | 92 | 87 | 85 | 80 |    |

## 配光曲線



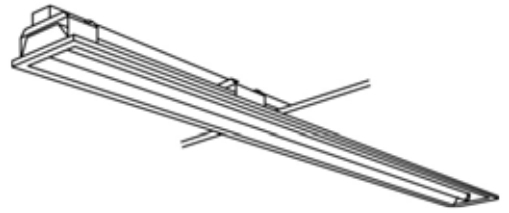
## 直射水平面照度



# ECOHiLUX照明器具 配光データシート

## 意匠図

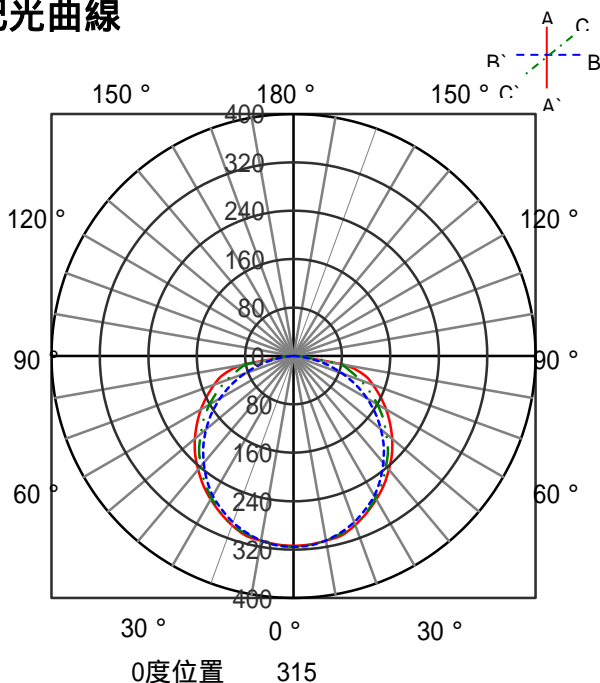
|      |                          |      |      |
|------|--------------------------|------|------|
| 器具品名 | 直管用専用器具<br>直付下面開放型110形1灯 | 保守率  |      |
| 器具品番 | IRLDFL1111UK             | 良    | 0.69 |
| 部品品名 | -                        | 中    | 0.67 |
| 部品品番 | -                        | 否    | 0.63 |
| 器具光束 | 4026lm                   | 器具効率 |      |
| 光源   | LDRd86T・WW/25/41/19S/R   | 上方向  | 0%   |
| 光源光束 | 4050lm                   | 下方向  | 99%  |
|      |                          | 全方向  | 99%  |



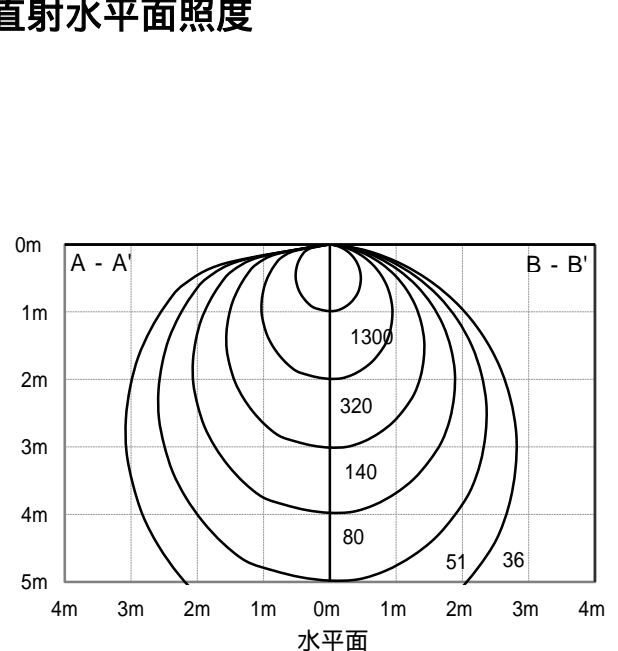
## 照明率表

|             |      | 作業面照明率(×0.01) |     |    |     |    |    |     |    |     |    |     |    |    |    |    |    |    |    |    |    |    |    |    |
|-------------|------|---------------|-----|----|-----|----|----|-----|----|-----|----|-----|----|----|----|----|----|----|----|----|----|----|----|----|
| 反射率         | 天井   | 80            |     |    |     |    |    | 70  |    |     |    | 50  |    |    |    | 30 |    | 0  |    |    |    |    |    |    |
|             |      | 壁             |     | 80 |     | 50 |    | 30  |    | 10  |    | 70  |    | 50 |    | 30 |    | 10 |    | 30 | 10 | 0  |    |    |
|             | 床    | 30            | 10  | 30 | 10  | 30 | 10 | 10  | 30 | 10  | 30 | 10  | 30 | 10 | 10 | 30 | 10 | 30 | 10 | 10 | 30 | 10 | 10 | 0  |
| 室<br>指<br>数 | 0.4  | 39            | 37  | 27 | 26  | 20 | 19 | 15  | 38 | 36  | 26 | 25  | 20 | 19 | 15 | 25 | 25 | 19 | 19 | 15 | 19 | 19 | 15 | 14 |
|             | 0.6  | 54            | 50  | 40 | 38  | 32 | 31 | 26  | 52 | 48  | 40 | 38  | 32 | 31 | 26 | 38 | 37 | 31 | 31 | 26 | 31 | 30 | 26 | 24 |
|             | 0.8  | 63            | 57  | 49 | 46  | 40 | 39 | 33  | 61 | 56  | 48 | 45  | 40 | 38 | 33 | 46 | 44 | 39 | 38 | 33 | 38 | 37 | 32 | 30 |
|             | 1    | 71            | 64  | 57 | 53  | 48 | 46 | 40  | 68 | 62  | 56 | 52  | 47 | 45 | 40 | 53 | 51 | 46 | 44 | 39 | 45 | 44 | 39 | 37 |
|             | 1.25 | 78            | 69  | 66 | 60  | 56 | 53 | 47  | 75 | 68  | 64 | 59  | 55 | 52 | 47 | 61 | 57 | 54 | 51 | 47 | 52 | 51 | 46 | 44 |
|             | 1.5  | 83            | 73  | 71 | 64  | 62 | 57 | 52  | 80 | 72  | 69 | 63  | 61 | 57 | 52 | 66 | 62 | 59 | 56 | 51 | 57 | 55 | 51 | 48 |
|             | 2    | 90            | 78  | 80 | 71  | 71 | 65 | 60  | 87 | 77  | 77 | 70  | 70 | 64 | 59 | 73 | 68 | 67 | 63 | 59 | 64 | 62 | 58 | 56 |
|             | 2.5  | 95            | 82  | 86 | 76  | 78 | 70 | 66  | 92 | 81  | 83 | 75  | 76 | 70 | 65 | 79 | 73 | 73 | 68 | 64 | 70 | 67 | 64 | 61 |
|             | 3    | 98            | 84  | 90 | 79  | 83 | 74 | 70  | 95 | 83  | 87 | 78  | 81 | 73 | 69 | 82 | 76 | 77 | 72 | 68 | 73 | 70 | 67 | 65 |
|             | 4    | 103           | 87  | 96 | 83  | 90 | 79 | 75  | 99 | 86  | 93 | 82  | 87 | 78 | 75 | 87 | 80 | 83 | 76 | 74 | 79 | 75 | 72 | 70 |
| 5           | 106  | 89            | 100 | 86 | 95  | 82 | 79 | 102 | 88 | 96  | 85 | 92  | 81 | 78 | 90 | 82 | 87 | 80 | 77 | 82 | 78 | 76 | 73 |    |
| 7           | 109  | 92            | 104 | 89 | 100 | 86 | 84 | 105 | 90 | 101 | 88 | 97  | 85 | 83 | 94 | 86 | 91 | 83 | 81 | 86 | 82 | 80 | 77 |    |
| 10          | 112  | 93            | 108 | 91 | 105 | 89 | 87 | 107 | 92 | 104 | 90 | 102 | 88 | 87 | 97 | 88 | 95 | 86 | 85 | 90 | 85 | 83 | 81 |    |

## 配光曲線



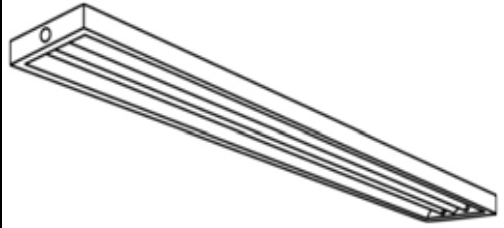
## 直射水平面照度



# ECOHiLUX照明器具 配光データシート

## 意匠図

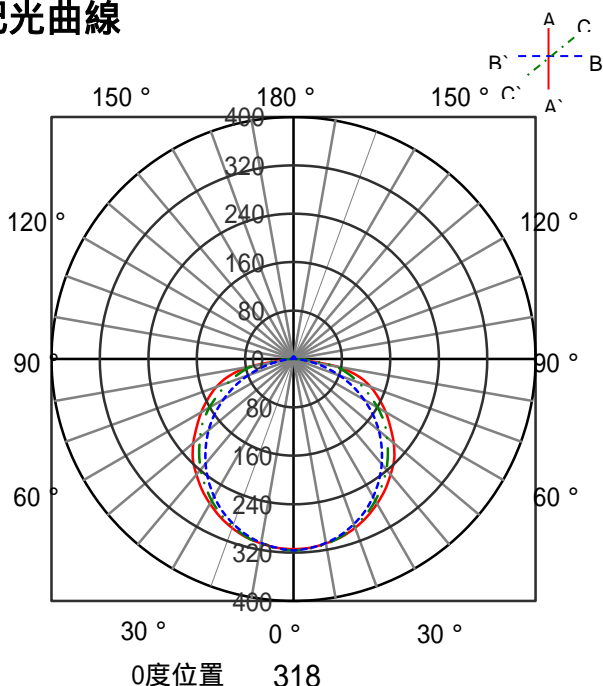
|      |                          |      |      |
|------|--------------------------|------|------|
| 器具品名 | 直管用専用器具<br>直付下面開放型110形2灯 | 保守率  |      |
| 器具品番 | IRLDFL112CL              | 良    | 0.81 |
| 部品品名 | -                        | 中    | 0.77 |
| 部品品番 | -                        | 否    | 0.67 |
| 器具光束 | 7918lm                   | 器具効率 |      |
| 光源   | LDRd86T・WW/25/41/19S/R   | 上方向  | 0%   |
| 光源光束 | 4050lm × 2               | 下方向  | 98%  |
|      |                          | 全方向  | 98%  |



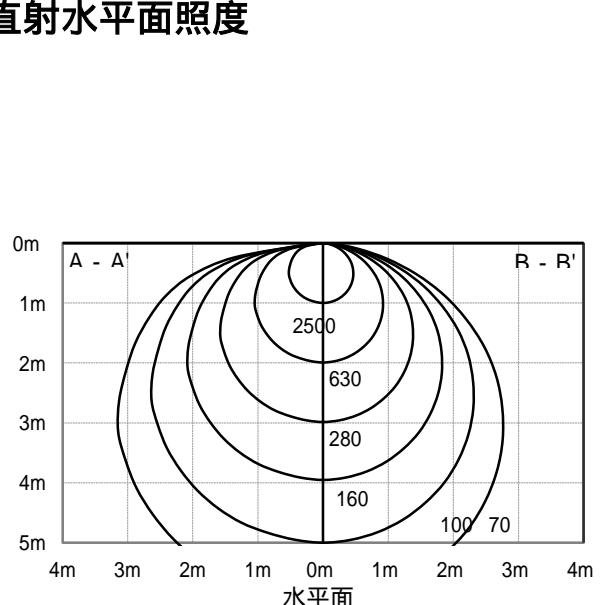
## 照明率表

|             |              | 作業面照明率(×0.01) |     |     |     |     |    |     |     |     |     |     |    |    |     |    |     |    |    |     |    |    |    |    |    |    |    |    |
|-------------|--------------|---------------|-----|-----|-----|-----|----|-----|-----|-----|-----|-----|----|----|-----|----|-----|----|----|-----|----|----|----|----|----|----|----|----|
| 反射率         | 天井<br>壁<br>床 | 80            |     |     |     |     |    |     |     | 70  |     |     |    |    |     |    |     | 50 |    |     |    | 30 |    |    |    | 0  |    |    |
|             |              | 70            | 10  | 30  | 10  | 30  | 10 | 10  | 10  | 70  | 10  | 30  | 10 | 30 | 10  | 10 | 10  | 50 | 10 | 30  | 10 | 10 | 30 | 10 | 10 | 30 | 10 | 10 |
| 室<br>指<br>数 | 0.4          | 44            | 41  | 30  | 29  | 22  | 22 | 17  | 42  | 40  | 30  | 29  | 22 | 22 | 17  | 29 | 28  | 22 | 21 | 17  | 21 | 21 | 17 | 16 |    |    |    |    |
|             | 0.6          | 60            | 55  | 45  | 43  | 36  | 35 | 30  | 58  | 54  | 45  | 42  | 36 | 35 | 30  | 43 | 41  | 35 | 34 | 29  | 35 | 34 | 29 | 27 |    |    |    |    |
|             | 0.8          | 70            | 64  | 55  | 52  | 45  | 43 | 37  | 68  | 62  | 54  | 51  | 45 | 43 | 37  | 52 | 49  | 43 | 42 | 37  | 42 | 42 | 37 | 34 |    |    |    |    |
|             | 1            | 79            | 71  | 64  | 59  | 54  | 51 | 45  | 76  | 69  | 63  | 58  | 53 | 51 | 45  | 60 | 57  | 52 | 50 | 44  | 50 | 49 | 44 | 42 |    |    |    |    |
|             | 1.25         | 87            | 78  | 73  | 67  | 63  | 59 | 53  | 84  | 76  | 71  | 66  | 62 | 59 | 53  | 68 | 64  | 60 | 58 | 52  | 58 | 57 | 52 | 50 |    |    |    |    |
|             | 1.5          | 93            | 82  | 79  | 72  | 69  | 64 | 58  | 89  | 80  | 77  | 71  | 68 | 64 | 58  | 73 | 69  | 66 | 63 | 57  | 64 | 61 | 57 | 54 |    |    |    |    |
|             | 2            | 101           | 87  | 89  | 79  | 79  | 73 | 67  | 97  | 86  | 86  | 78  | 78 | 72 | 66  | 82 | 76  | 75 | 70 | 66  | 72 | 69 | 65 | 62 |    |    |    |    |
|             | 2.5          | 106           | 91  | 96  | 85  | 87  | 79 | 73  | 102 | 90  | 93  | 83  | 85 | 78 | 73  | 88 | 81  | 81 | 76 | 72  | 78 | 75 | 71 | 68 |    |    |    |    |
|             | 3            | 110           | 94  | 100 | 88  | 93  | 83 | 78  | 106 | 92  | 97  | 87  | 90 | 82 | 77  | 92 | 84  | 86 | 80 | 76  | 82 | 79 | 75 | 72 |    |    |    |    |
|             | 4            | 114           | 97  | 107 | 92  | 100 | 88 | 84  | 110 | 96  | 103 | 91  | 97 | 87 | 83  | 97 | 89  | 92 | 85 | 82  | 88 | 84 | 81 | 78 |    |    |    |    |
| 5           | 118          | 99            | 111 | 95  | 105 | 92  | 88 | 113 | 98  | 107 | 94  | 102 | 91 | 87 | 101 | 92 | 97  | 89 | 86 | 92  | 87 | 85 | 82 |    |    |    |    |    |
| 7           | 121          | 102           | 116 | 99  | 112 | 96  | 93 | 117 | 100 | 112 | 98  | 108 | 95 | 92 | 105 | 95 | 102 | 93 | 91 | 96  | 91 | 89 | 86 |    |    |    |    |    |
| 10          | 124          | 104           | 120 | 101 | 117 | 99  | 97 | 119 | 102 | 116 | 100 | 113 | 98 | 96 | 108 | 98 | 106 | 96 | 95 | 100 | 94 | 93 | 90 |    |    |    |    |    |

## 配光曲線



## 直射水平面照度



# ECOHiLUX照明器具 配光データシート

## 意匠図

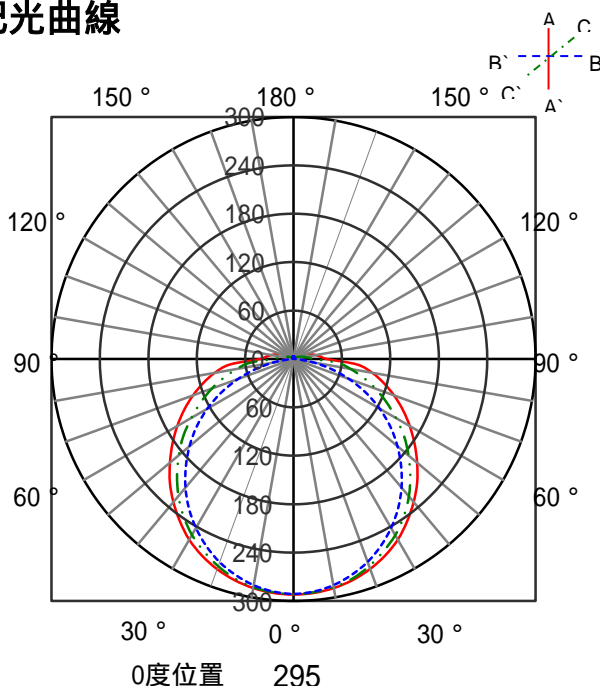
|      |                        |      |      |
|------|------------------------|------|------|
| 器具品名 | 直管用専用器具<br>逆富士型110形2灯  | 保守率  |      |
| 器具品番 | IRLDFL112FJ            | 良    | 0.69 |
| 部品品名 | -                      | 中    | 0.67 |
| 部品品番 | -                      | 否    | 0.63 |
| 器具光束 | 7622lm                 | 器具効率 |      |
| 光源   | LDRd86T・WW/25/41/19S/R | 上方向  | 4%   |
| 光源光束 | 4050lm × 2             | 下方向  | 90%  |
|      |                        | 全方向  | 94%  |



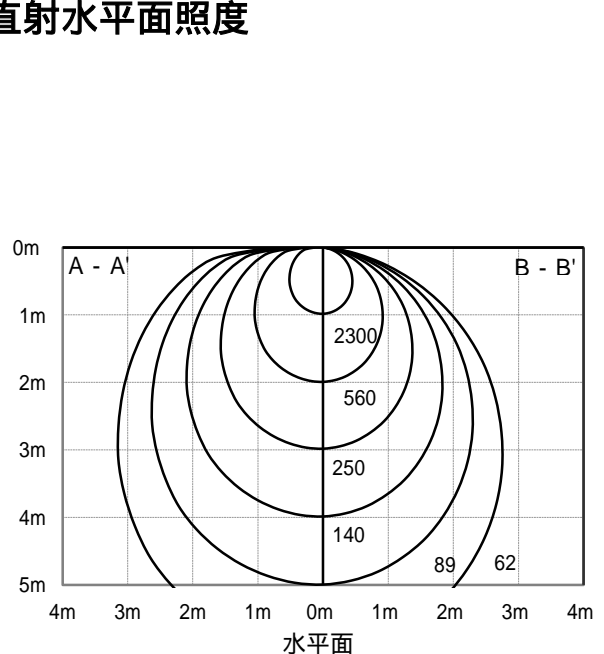
## 照明率表

|             |      | 作業面照明率(×0.01) |     |     |     |    |    |     |     |     |    |     |    |    |     |    |    |    |    |    |    |    |    |    |
|-------------|------|---------------|-----|-----|-----|----|----|-----|-----|-----|----|-----|----|----|-----|----|----|----|----|----|----|----|----|----|
| 反射率         | 天井   | 80            |     |     |     |    |    |     |     | 70  |    |     |    | 50 |     |    |    | 30 |    | 0  |    |    |    |    |
|             |      | 壁             |     | 70  |     | 50 |    | 30  |     | 10  |    | 70  |    | 50 |     | 30 |    | 10 |    | 30 |    | 10 |    | 0  |
|             | 床    | 30            | 10  | 30  | 10  | 30 | 10 | 30  | 10  | 30  | 10 | 30  | 10 | 30 | 10  | 30 | 10 | 30 | 10 | 30 | 10 | 30 | 10 | 0  |
| 室<br>指<br>数 | 0.4  | 42            | 39  | 29  | 28  | 21 | 21 | 17  | 40  | 38  | 28 | 27  | 21 | 21 | 17  | 27 | 26 | 21 | 20 | 16 | 20 | 20 | 16 | 14 |
|             | 0.6  | 57            | 53  | 43  | 41  | 35 | 34 | 28  | 55  | 51  | 42 | 40  | 34 | 33 | 28  | 41 | 39 | 33 | 33 | 28 | 32 | 32 | 28 | 25 |
|             | 0.8  | 67            | 61  | 52  | 49  | 43 | 41 | 36  | 65  | 59  | 51 | 48  | 42 | 41 | 35  | 49 | 47 | 41 | 40 | 35 | 40 | 39 | 34 | 32 |
|             | 1    | 75            | 67  | 61  | 57  | 51 | 49 | 43  | 72  | 66  | 59 | 55  | 50 | 48 | 42  | 56 | 54 | 49 | 47 | 42 | 47 | 46 | 41 | 39 |
|             | 1.25 | 83            | 74  | 70  | 64  | 60 | 56 | 51  | 80  | 72  | 68 | 63  | 59 | 56 | 50  | 64 | 60 | 57 | 54 | 49 | 55 | 53 | 49 | 46 |
|             | 1.5  | 88            | 77  | 75  | 68  | 66 | 61 | 55  | 85  | 76  | 73 | 67  | 64 | 60 | 55  | 69 | 65 | 62 | 59 | 54 | 59 | 57 | 53 | 50 |
|             | 2    | 95            | 83  | 84  | 75  | 75 | 69 | 63  | 92  | 81  | 82 | 74  | 74 | 68 | 63  | 77 | 71 | 70 | 66 | 62 | 67 | 64 | 61 | 58 |
|             | 2.5  | 101           | 87  | 91  | 80  | 83 | 74 | 70  | 97  | 85  | 88 | 79  | 80 | 73 | 69  | 82 | 76 | 76 | 72 | 68 | 73 | 70 | 66 | 63 |
|             | 3    | 104           | 89  | 95  | 83  | 88 | 78 | 74  | 100 | 87  | 92 | 82  | 85 | 77 | 73  | 86 | 79 | 81 | 75 | 71 | 76 | 73 | 70 | 67 |
|             | 4    | 108           | 92  | 101 | 88  | 95 | 83 | 79  | 104 | 90  | 98 | 86  | 92 | 82 | 79  | 91 | 83 | 86 | 80 | 77 | 82 | 78 | 75 | 72 |
| 5           | 111  | 94            | 105 | 90  | 100 | 87 | 83 | 107 | 92  | 101 | 89 | 96  | 85 | 82 | 94  | 86 | 90 | 83 | 80 | 85 | 81 | 79 | 75 |    |
| 7           | 115  | 96            | 110 | 94  | 106 | 91 | 88 | 110 | 95  | 106 | 92 | 102 | 89 | 87 | 98  | 89 | 95 | 87 | 85 | 89 | 85 | 83 | 79 |    |
| 10          | 117  | 98            | 114 | 96  | 111 | 94 | 92 | 113 | 97  | 109 | 95 | 107 | 93 | 91 | 101 | 92 | 99 | 90 | 88 | 93 | 88 | 86 | 83 |    |

## 配光曲線



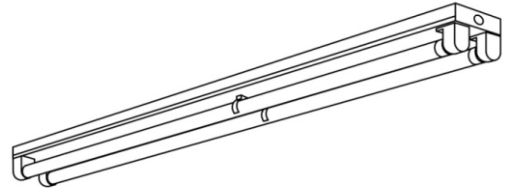
## 直射水平面照度



# ECOHiLUX照明器具 配光データシート

## 意匠図

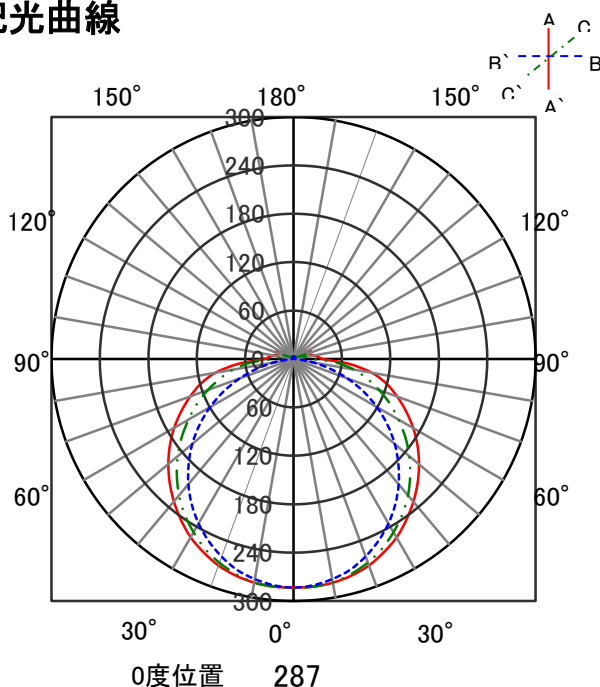
|      |                        |      |      |
|------|------------------------|------|------|
| 器具品名 | 直管用専用器具<br>トラフ型110形2灯  | 保守率  |      |
| 器具品番 | IRLDFL112TR            | 良    | 0.69 |
| 部品品名 | -                      | 中    | 0.67 |
| 部品品番 | -                      | 否    | 0.63 |
| 器具光束 | 7452lm                 | 器具効率 |      |
| 光源   | LDRd86T・WW/25/41/19S/R | 上方向  | 0%   |
| 光源光束 | 4050lm × 2             | 下方向  | 92%  |
|      |                        | 全方向  | 92%  |



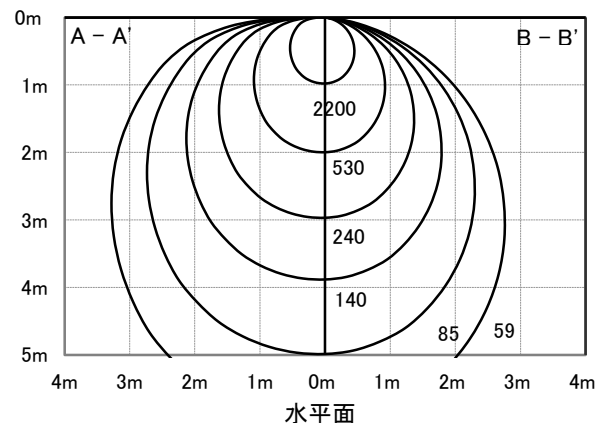
## 照明率表

|             |      | 作業面照明率(×0.01) |     |     |     |     |     |     |     |     |     |     |     |     |     |     |     |     |    |     |    |    |    |    |
|-------------|------|---------------|-----|-----|-----|-----|-----|-----|-----|-----|-----|-----|-----|-----|-----|-----|-----|-----|----|-----|----|----|----|----|
| 反射率         | 天井   | 80            |     |     |     | 70  |     |     |     | 50  |     |     |     | 30  |     |     |     | 0   |    |     |    |    |    |    |
|             | 壁    | 70            | 50  | 30  | 10  | 70  | 50  | 30  | 10  | 50  | 30  | 10  | 10  | 30  | 10  | 10  | 30  | 10  | 10 | 30  | 10 | 10 | 0  |    |
|             | 床    | 30            | 10  | 30  | 10  | 30  | 10  | 10  | 30  | 10  | 30  | 10  | 30  | 10  | 10  | 30  | 10  | 30  | 10 | 10  | 30 | 10 | 10 | 0  |
| 室<br>指<br>数 | 0.4  | 46            | 43  | 31  | 30  | 23  | 23  | 18  | 45  | 42  | 31  | 30  | 23  | 22  | 18  | 30  | 29  | 22  | 22 | 18  | 22 | 22 | 17 | 16 |
|             | 0.6  | 63            | 58  | 47  | 45  | 37  | 36  | 30  | 61  | 57  | 46  | 44  | 37  | 36  | 30  | 45  | 43  | 36  | 35 | 30  | 36 | 35 | 30 | 28 |
|             | 0.8  | 74            | 67  | 57  | 54  | 47  | 45  | 38  | 71  | 65  | 56  | 53  | 46  | 44  | 38  | 54  | 51  | 45  | 44 | 38  | 44 | 43 | 37 | 35 |
|             | 1    | 83            | 74  | 67  | 62  | 56  | 53  | 46  | 80  | 72  | 65  | 61  | 55  | 52  | 46  | 62  | 59  | 53  | 51 | 46  | 52 | 50 | 45 | 42 |
|             | 1.25 | 92            | 81  | 76  | 70  | 65  | 61  | 55  | 88  | 79  | 74  | 69  | 64  | 61  | 54  | 71  | 67  | 62  | 60 | 54  | 60 | 58 | 53 | 51 |
|             | 1.5  | 97            | 86  | 83  | 75  | 72  | 67  | 60  | 94  | 84  | 80  | 74  | 71  | 66  | 60  | 76  | 72  | 68  | 65 | 59  | 66 | 63 | 58 | 55 |
|             | 2    | 106           | 92  | 93  | 83  | 83  | 75  | 69  | 102 | 90  | 90  | 82  | 81  | 75  | 69  | 85  | 79  | 77  | 73 | 68  | 74 | 71 | 67 | 64 |
|             | 2.5  | 111           | 96  | 100 | 88  | 91  | 82  | 76  | 107 | 94  | 97  | 87  | 88  | 81  | 75  | 91  | 84  | 84  | 79 | 74  | 81 | 77 | 73 | 70 |
|             | 3    | 115           | 99  | 105 | 92  | 96  | 86  | 81  | 111 | 97  | 102 | 91  | 94  | 85  | 80  | 96  | 88  | 89  | 83 | 79  | 85 | 81 | 78 | 74 |
|             | 4    | 120           | 102 | 112 | 97  | 104 | 92  | 87  | 116 | 101 | 108 | 95  | 101 | 91  | 86  | 101 | 93  | 96  | 89 | 85  | 91 | 87 | 84 | 80 |
| 5           | 124  | 105           | 116 | 100 | 110 | 96  | 92  | 119 | 103 | 112 | 99  | 107 | 95  | 91  | 105 | 96  | 101 | 92  | 89 | 95  | 90 | 88 | 84 |    |
| 7           | 128  | 107           | 122 | 104 | 117 | 100 | 97  | 123 | 106 | 118 | 102 | 113 | 99  | 96  | 110 | 100 | 106 | 97  | 94 | 100 | 95 | 93 | 89 |    |
| 10          | 131  | 109           | 127 | 107 | 123 | 104 | 102 | 126 | 108 | 122 | 105 | 118 | 103 | 101 | 114 | 103 | 111 | 101 | 99 | 104 | 98 | 97 | 93 |    |

## 配光曲線



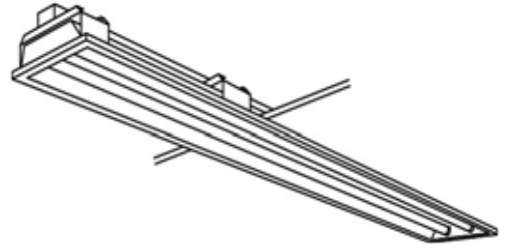
## 直射水平面照度



# ECOHiLUX照明器具 配光データシート

## 意匠図

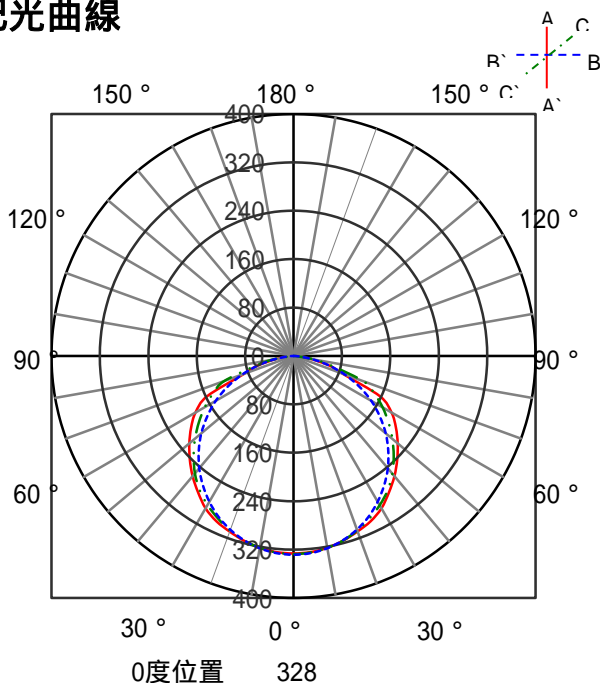
|      |                          |      |      |
|------|--------------------------|------|------|
| 器具品名 | 直管用専用器具<br>直付下面開放型110形2灯 | 保守率  |      |
| 器具品番 | IRLDFL42UK-VT1           | 良    | 0.69 |
| 部品品名 | -                        | 中    | 0.67 |
| 部品品番 | -                        | 否    | 0.63 |
| 器具光束 | 7752lm                   | 器具効率 |      |
| 光源   | LDRd86T・WW/25/41/19S/R   | 上方向  | 0%   |
| 光源光束 | 4050lm × 2               | 下方向  | 96%  |
|      |                          | 全方向  | 96%  |



## 照明率表

| 反射率         | 天井   | 80  |     |     |     |    |    |     |     | 70  |     |     |    |    |     |    |     | 50 |    |    |    |    |    |    |    | 30 |    |    |    |    |   |  |  | 0 |  |  |  |  |  |  |  |
|-------------|------|-----|-----|-----|-----|----|----|-----|-----|-----|-----|-----|----|----|-----|----|-----|----|----|----|----|----|----|----|----|----|----|----|----|----|---|--|--|---|--|--|--|--|--|--|--|
|             |      | 壁   |     | 70  |     | 50 |    | 30  |     | 10  |     | 70  |    | 50 |     | 30 |     | 10 |    | 50 |    | 30 |    | 10 |    | 30 |    | 10 |    | 0  |   |  |  |   |  |  |  |  |  |  |  |
| 床           |      | 30  | 10  | 30  | 10  | 30 | 10 | 10  | 30  | 10  | 30  | 10  | 30 | 10 | 10  | 30 | 10  | 30 | 10 | 10 | 30 | 10 | 30 | 10 | 10 | 30 | 10 | 10 | 30 | 10 | 0 |  |  |   |  |  |  |  |  |  |  |
| 室<br>指<br>数 | 0.4  | 42  | 40  | 29  | 28  | 21 | 21 | 16  | 41  | 39  | 28  | 27  | 21 | 21 | 16  | 27 | 27  | 21 | 20 | 16 | 20 | 20 | 16 | 15 |    |    |    |    |    |    |   |  |  |   |  |  |  |  |  |  |  |
|             | 0.6  | 58  | 53  | 43  | 41  | 35 | 34 | 28  | 56  | 52  | 43  | 41  | 34 | 33 | 28  | 41 | 40  | 34 | 33 | 28 | 33 | 32 | 28 | 26 |    |    |    |    |    |    |   |  |  |   |  |  |  |  |  |  |  |
|             | 0.8  | 68  | 62  | 53  | 50  | 43 | 41 | 35  | 66  | 60  | 52  | 49  | 43 | 41 | 35  | 50 | 47  | 42 | 40 | 35 | 41 | 40 | 35 | 33 |    |    |    |    |    |    |   |  |  |   |  |  |  |  |  |  |  |
|             | 1    | 76  | 68  | 62  | 57  | 52 | 49 | 43  | 74  | 67  | 60  | 56  | 51 | 48 | 43  | 57 | 54  | 49 | 48 | 42 | 48 | 47 | 42 | 40 |    |    |    |    |    |    |   |  |  |   |  |  |  |  |  |  |  |
|             | 1.25 | 84  | 75  | 70  | 65  | 61 | 57 | 51  | 81  | 73  | 69  | 64  | 60 | 56 | 50  | 66 | 62  | 58 | 55 | 50 | 56 | 54 | 50 | 47 |    |    |    |    |    |    |   |  |  |   |  |  |  |  |  |  |  |
|             | 1.5  | 89  | 79  | 76  | 69  | 66 | 62 | 56  | 86  | 77  | 74  | 68  | 65 | 61 | 55  | 71 | 66  | 63 | 60 | 55 | 61 | 59 | 54 | 52 |    |    |    |    |    |    |   |  |  |   |  |  |  |  |  |  |  |
|             | 2    | 97  | 85  | 86  | 76  | 76 | 70 | 64  | 94  | 83  | 83  | 75  | 75 | 69 | 64  | 79 | 73  | 72 | 68 | 63 | 69 | 66 | 62 | 60 |    |    |    |    |    |    |   |  |  |   |  |  |  |  |  |  |  |
|             | 2.5  | 103 | 88  | 92  | 82  | 84 | 76 | 70  | 99  | 87  | 90  | 80  | 82 | 75 | 70  | 85 | 78  | 78 | 73 | 69 | 75 | 72 | 68 | 65 |    |    |    |    |    |    |   |  |  |   |  |  |  |  |  |  |  |
|             | 3    | 106 | 91  | 97  | 85  | 89 | 79 | 75  | 102 | 89  | 94  | 84  | 87 | 79 | 74  | 88 | 81  | 83 | 77 | 73 | 79 | 75 | 72 | 69 |    |    |    |    |    |    |   |  |  |   |  |  |  |  |  |  |  |
|             | 4    | 111 | 94  | 103 | 89  | 97 | 85 | 81  | 107 | 93  | 100 | 88  | 94 | 84 | 80  | 94 | 86  | 89 | 82 | 79 | 84 | 80 | 78 | 75 |    |    |    |    |    |    |   |  |  |   |  |  |  |  |  |  |  |
| 5           | 114  | 96  | 107 | 92  | 102 | 88 | 85 | 110 | 95  | 104 | 91  | 99  | 87 | 84 | 97  | 89 | 93  | 86 | 83 | 88 | 84 | 81 | 79 |    |    |    |    |    |    |    |   |  |  |   |  |  |  |  |  |  |  |
| 7           | 118  | 99  | 113 | 96  | 108 | 93 | 90 | 113 | 97  | 109 | 94  | 105 | 92 | 89 | 102 | 92 | 98  | 90 | 88 | 93 | 88 | 86 | 83 |    |    |    |    |    |    |    |   |  |  |   |  |  |  |  |  |  |  |
| 10          | 120  | 101 | 117 | 98  | 113 | 96 | 94 | 116 | 99  | 112 | 97  | 109 | 95 | 93 | 105 | 95 | 102 | 93 | 91 | 96 | 91 | 90 | 87 |    |    |    |    |    |    |    |   |  |  |   |  |  |  |  |  |  |  |

## 配光曲線



## 直射水平面照度

