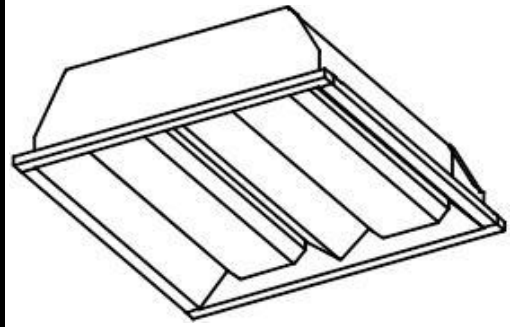


# ECOHiLUX照明器具 配光データシート

## 意匠図

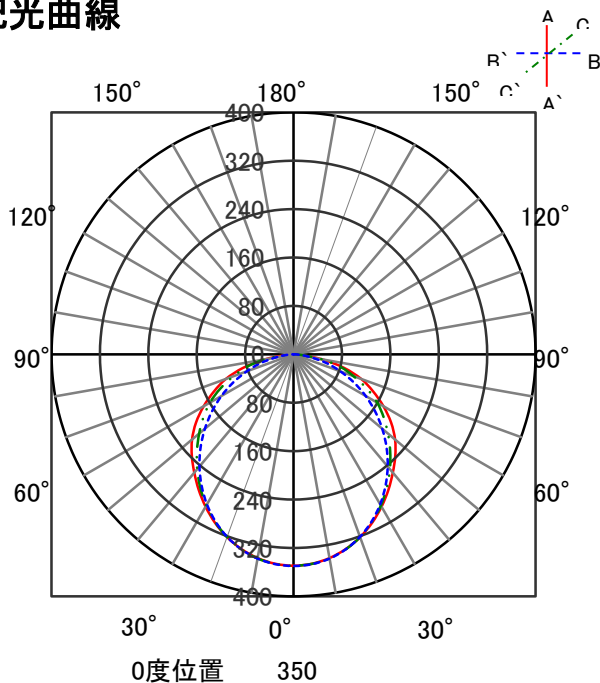
|      |   |        |        |      |      |
|------|---|--------|--------|------|------|
| 器具品名 | LXスクエア照明 埋込型  |        |        | 保守率  |      |
| 器具品番 | BL-30N-UKLXSQ27-D<br>BL-30N-UKLXSQ27-LI<br>BL-30N-UKLXSQ27-DA<br>BL-30N-UKLXSQ27-IS |        |        | 良    | 0.77 |
|      |   |        |        | 中    | 0.72 |
|      |   |        |        | 否    | 0.68 |
|      |   |        |        | 器具効率 |      |
| 器具光束 | 3020lm  | 最大取付間隔 |        | 上方向  | 0%   |
| 光源   | 一体型器具のため、器具光束表示   | AA     | 1.24 H | 下方向  | 100% |
| 光源光束 |   | BB     | 1.22 H | 全方向  | 100% |



## 照明率表

| 反射率 |   | 作業面照明率(×0.01) |     |     |     |     |     |     |     |     |     |     |     |     |     |    |     |     |     |    |    |     |    |    |    |
|-----|---|---------------|-----|-----|-----|-----|-----|-----|-----|-----|-----|-----|-----|-----|-----|----|-----|-----|-----|----|----|-----|----|----|----|
|     |   | 天井            |     |     |     |     |     |     |     |     |     | 壁   |     |     |     |    |     |     |     |    |    |     |    |    |    |
|     |   | 80            |     | 70  |     | 50  |     | 30  |     | 10  |     | 70  |     | 50  |     | 30 |     | 10  |     | 50 |    | 30  |    | 10 |    |
| 室   | 指 | 0.4           | 45  | 43  | 32  | 31  | 24  | 24  | 19  | 44  | 42  | 31  | 30  | 24  | 24  | 19 | 30  | 29  | 24  | 23 | 19 | 23  | 23 | 19 | 17 |
|     |   | 0.6           | 62  | 58  | 48  | 45  | 39  | 38  | 32  | 61  | 56  | 47  | 45  | 39  | 38  | 32 | 45  | 44  | 38  | 37 | 32 | 37  | 37 | 32 | 30 |
|     |   | 0.8           | 73  | 66  | 58  | 54  | 48  | 46  | 40  | 70  | 64  | 57  | 53  | 47  | 46  | 40 | 54  | 52  | 46  | 45 | 40 | 45  | 44 | 40 | 37 |
|     |   | 1             | 81  | 73  | 67  | 62  | 57  | 54  | 48  | 79  | 72  | 65  | 61  | 56  | 54  | 48 | 63  | 60  | 55  | 53 | 48 | 53  | 52 | 47 | 45 |
|     |   | 1.25          | 90  | 80  | 76  | 70  | 67  | 63  | 57  | 87  | 78  | 75  | 69  | 66  | 62  | 57 | 71  | 67  | 64  | 61 | 56 | 62  | 60 | 56 | 53 |
|     |   | 1.5           | 95  | 84  | 82  | 75  | 73  | 68  | 62  | 92  | 82  | 80  | 74  | 72  | 67  | 62 | 77  | 72  | 69  | 66 | 61 | 67  | 65 | 61 | 58 |
|     |   | 2             | 103 | 90  | 92  | 82  | 83  | 76  | 71  | 99  | 88  | 89  | 81  | 81  | 75  | 70 | 85  | 79  | 78  | 74 | 69 | 75  | 72 | 69 | 66 |
|     |   | 2.5           | 108 | 94  | 99  | 87  | 91  | 82  | 77  | 105 | 92  | 96  | 86  | 89  | 81  | 77 | 91  | 84  | 85  | 80 | 76 | 81  | 78 | 75 | 72 |
|     |   | 3             | 112 | 96  | 103 | 90  | 96  | 86  | 81  | 108 | 94  | 100 | 89  | 94  | 85  | 81 | 95  | 87  | 89  | 83 | 80 | 85  | 82 | 79 | 76 |
|     |   | 4             | 116 | 99  | 109 | 95  | 103 | 91  | 87  | 112 | 98  | 106 | 94  | 100 | 90  | 87 | 100 | 91  | 95  | 88 | 85 | 91  | 87 | 84 | 81 |
|     |   | 5             | 119 | 101 | 114 | 98  | 108 | 94  | 91  | 115 | 100 | 110 | 96  | 105 | 93  | 90 | 103 | 94  | 99  | 91 | 89 | 94  | 90 | 88 | 85 |
|     |   | 7             | 123 | 103 | 118 | 101 | 114 | 98  | 96  | 118 | 102 | 114 | 100 | 111 | 97  | 95 | 107 | 97  | 104 | 95 | 93 | 99  | 93 | 92 | 89 |
|     |   | 10            | 125 | 105 | 122 | 103 | 119 | 101 | 100 | 121 | 104 | 118 | 102 | 115 | 100 | 99 | 110 | 100 | 108 | 98 | 97 | 102 | 96 | 95 | 92 |

## 配光曲線



## 直射水平面照度

