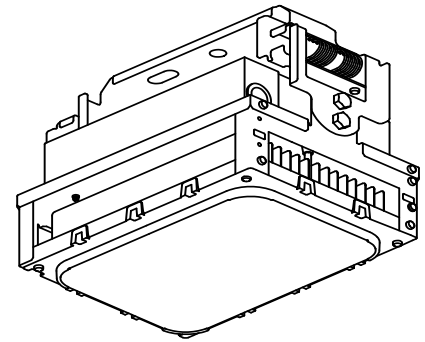


ECOHiLUX照明器具 配光データシート

意匠図

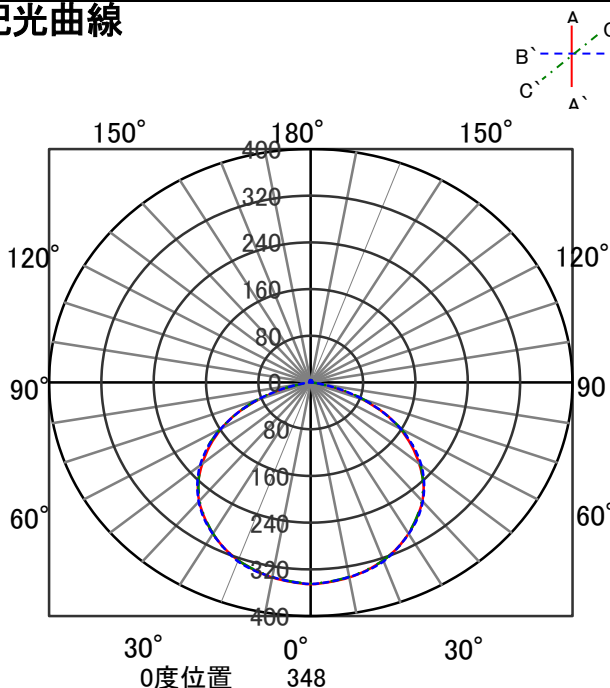
| | | | |
|------|--------------------|------|------|
| 器具品名 | 高天井LED照明HX-Rシリーズ | 保守率 | |
| 器具品番 | HXR200-100N-W-B-TS | 良 | 0.69 |
| 部品品名 | - | 中 | 0.67 |
| 部品品番 | - | 否 | 0.63 |
| 器具光束 | 10000lm | 器具効率 | |
| 光源 | LED | 上方向 | 0% |
| 光源光束 | 一体型器具のため、器具光束表示 | 下方向 | 100% |
| | | 全方向 | 100% |



照明率表

| | | 作業面照明率(×0.01) | | | | | | | | | | | | | | | | | | | | | | |
|-------------|------|---------------|-----|-----|-----|-----|-----|-----|-----|-----|-----|-----|-----|----|-----|-----|-----|----|----|-----|----|----|----|----|
| 反射率 | 天井 | 80 | | | | | | | | 70 | | | | 50 | | | | 30 | | 0 | | | | |
| | | 壁 | | 70 | | 50 | | 30 | | 10 | | 70 | | 50 | | 30 | | 10 | | 30 | 10 | 0 | | |
| | 床 | 30 | 10 | 30 | 10 | 30 | 10 | 30 | 10 | 30 | 10 | 30 | 10 | 30 | 10 | 30 | 10 | 30 | 10 | 30 | 10 | 10 | 0 | |
| 室 指 数 | 0.4 | 45 | 43 | 32 | 31 | 24 | 24 | 19 | 44 | 42 | 31 | 30 | 24 | 24 | 19 | 30 | 29 | 24 | 23 | 19 | 23 | 23 | 19 | 17 |
| | 0.6 | 63 | 58 | 48 | 46 | 40 | 38 | 33 | 61 | 57 | 47 | 45 | 39 | 38 | 33 | 46 | 44 | 38 | 38 | 33 | 38 | 37 | 33 | 31 |
| | 0.8 | 73 | 67 | 59 | 55 | 49 | 47 | 42 | 71 | 65 | 58 | 54 | 49 | 47 | 41 | 55 | 53 | 47 | 46 | 41 | 46 | 45 | 41 | 38 |
| | 1 | 82 | 74 | 68 | 63 | 59 | 56 | 50 | 80 | 72 | 67 | 62 | 58 | 55 | 50 | 64 | 61 | 56 | 54 | 49 | 55 | 53 | 49 | 46 |
| | 1.25 | 91 | 81 | 78 | 71 | 69 | 64 | 59 | 88 | 79 | 76 | 70 | 67 | 64 | 58 | 73 | 68 | 65 | 63 | 58 | 63 | 62 | 57 | 55 |
| | 1.5 | 96 | 85 | 84 | 76 | 75 | 69 | 64 | 93 | 83 | 82 | 75 | 73 | 69 | 64 | 78 | 73 | 71 | 68 | 63 | 69 | 66 | 62 | 60 |
| | 2 | 104 | 91 | 93 | 84 | 85 | 78 | 73 | 100 | 89 | 91 | 82 | 83 | 77 | 72 | 86 | 80 | 80 | 75 | 71 | 77 | 74 | 70 | 68 |
| | 2.5 | 109 | 94 | 100 | 89 | 93 | 84 | 79 | 105 | 93 | 97 | 87 | 91 | 83 | 79 | 92 | 85 | 87 | 81 | 78 | 83 | 79 | 76 | 74 |
| | 3 | 113 | 97 | 105 | 92 | 98 | 87 | 83 | 109 | 95 | 101 | 90 | 95 | 86 | 83 | 96 | 88 | 91 | 85 | 81 | 87 | 83 | 80 | 77 |
| | 4 | 117 | 100 | 111 | 96 | 105 | 92 | 89 | 113 | 98 | 107 | 95 | 102 | 91 | 88 | 101 | 92 | 97 | 89 | 87 | 92 | 87 | 85 | 82 |
| 5 | 120 | 102 | 115 | 98 | 110 | 95 | 93 | 116 | 100 | 111 | 97 | 106 | 94 | 92 | 104 | 95 | 100 | 92 | 90 | 95 | 90 | 89 | 86 | |
| 7 | 123 | 104 | 119 | 101 | 115 | 99 | 97 | 119 | 102 | 115 | 100 | 112 | 98 | 96 | 108 | 98 | 105 | 96 | 94 | 99 | 94 | 92 | 89 | |
| 10 | 126 | 105 | 123 | 103 | 120 | 102 | 100 | 121 | 104 | 118 | 102 | 116 | 101 | 99 | 110 | 100 | 108 | 98 | 97 | 102 | 96 | 95 | 92 | |

配光曲線



直射水平面照度

