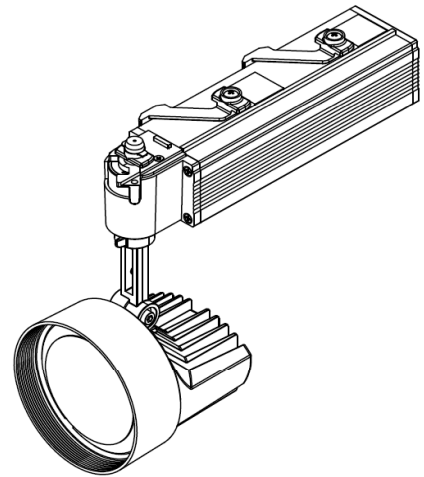


ECOHiLUX照明器具 配光データシート

意匠図

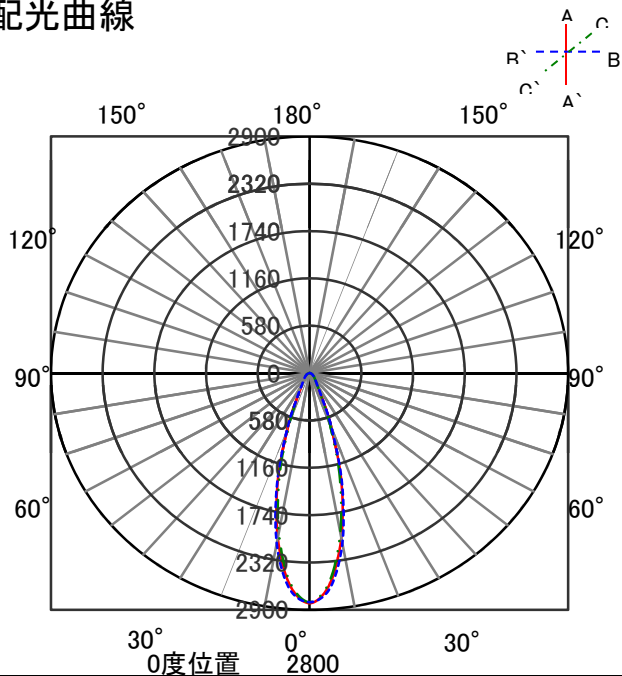
| | | | |
|------|-----------------|------|------|
| 器具品名 | スポットライト | 保守率 | |
| 器具品番 | SP18L30-25MUW | 良 | 0.78 |
| 部品品名 | - | 中 | 0.74 |
| 部品品番 | - | 否 | 0.70 |
| 器具光束 | 2050lm | 器具効率 | |
| 光源 | - | 上方向 | 0% |
| 光源光束 | 一体型器具のため、器具光束表示 | 下方向 | 100% |
| | | 全方向 | 100% |



照明率表

| 反射率 | 天井 壁 | 80 | | | | | | | | 70 | | | | | | | | 50 | | | | | | | | 30 | | | | | | | | 0 | | | | | | | |
|-----|---------|-----|----|-----|----|-----|----|----|-----|----|-----|----|-----|----|----|-----|----|-----|----|----|----|----|----|----|--|----|--|---|--|--|--|--|--|---|--|--|--|--|--|--|--|
| | | 70 | | 50 | | 30 | | 10 | | 70 | | 50 | | 30 | | 10 | | 50 | | 30 | | 10 | | 30 | | 10 | | 0 | | | | | | | | | | | | | |
| 室 | 0.4 | 55 | 52 | 45 | 43 | 39 | 38 | 35 | 54 | 51 | 44 | 43 | 39 | 38 | 35 | 44 | 42 | 38 | 38 | 35 | 38 | 38 | 35 | 34 | | | | | | | | | | | | | | | | | |
| 指 | 0.6 | 72 | 66 | 61 | 58 | 55 | 53 | 50 | 70 | 65 | 61 | 58 | 55 | 53 | 50 | 59 | 57 | 54 | 53 | 50 | 53 | 52 | 49 | 48 | | | | | | | | | | | | | | | | | |
| 数 | 0.8 | 81 | 74 | 71 | 67 | 64 | 62 | 58 | 79 | 73 | 70 | 66 | 64 | 62 | 58 | 68 | 65 | 63 | 61 | 58 | 62 | 61 | 58 | 56 | | | | | | | | | | | | | | | | | |
| | 1 | 87 | 78 | 78 | 72 | 71 | 67 | 64 | 85 | 77 | 76 | 71 | 70 | 67 | 64 | 74 | 70 | 69 | 67 | 64 | 68 | 66 | 63 | 62 | | | | | | | | | | | | | | | | | |
| | 1.25 | 93 | 83 | 84 | 77 | 78 | 73 | 70 | 91 | 81 | 83 | 76 | 77 | 72 | 69 | 80 | 75 | 75 | 72 | 69 | 73 | 71 | 68 | 67 | | | | | | | | | | | | | | | | | |
| | 1.5 | 97 | 85 | 88 | 80 | 82 | 76 | 73 | 94 | 84 | 87 | 79 | 81 | 76 | 73 | 83 | 78 | 79 | 75 | 72 | 77 | 74 | 72 | 70 | | | | | | | | | | | | | | | | | |
| | 2 | 102 | 88 | 94 | 84 | 89 | 81 | 78 | 99 | 87 | 92 | 84 | 87 | 80 | 78 | 88 | 82 | 84 | 79 | 77 | 81 | 78 | 76 | 74 | | | | | | | | | | | | | | | | | |
| | 2.5 | 105 | 91 | 99 | 87 | 93 | 84 | 82 | 102 | 89 | 96 | 86 | 92 | 84 | 81 | 92 | 85 | 88 | 82 | 80 | 85 | 81 | 79 | 78 | | | | | | | | | | | | | | | | | |
| | 3 | 107 | 92 | 102 | 89 | 97 | 87 | 84 | 104 | 91 | 99 | 88 | 95 | 86 | 84 | 94 | 87 | 91 | 85 | 83 | 87 | 83 | 82 | 80 | | | | | | | | | | | | | | | | | |
| | 4 | 110 | 94 | 106 | 92 | 102 | 90 | 88 | 107 | 93 | 103 | 91 | 99 | 89 | 87 | 97 | 89 | 95 | 87 | 86 | 90 | 86 | 85 | 83 | | | | | | | | | | | | | | | | | |
| | 5 | 112 | 95 | 109 | 93 | 105 | 92 | 90 | 108 | 94 | 105 | 92 | 102 | 91 | 89 | 99 | 90 | 97 | 89 | 88 | 92 | 88 | 87 | 85 | | | | | | | | | | | | | | | | | |
| | 7 | 114 | 96 | 112 | 95 | 109 | 94 | 93 | 111 | 95 | 108 | 94 | 106 | 93 | 92 | 102 | 92 | 100 | 91 | 91 | 95 | 90 | 89 | 87 | | | | | | | | | | | | | | | | | |
| | 10 | 116 | 97 | 114 | 96 | 113 | 96 | 95 | 112 | 96 | 111 | 95 | 109 | 95 | 94 | 104 | 94 | 102 | 93 | 93 | 97 | 91 | 91 | 88 | | | | | | | | | | | | | | | | | |

配光曲線



直射水平面照度

