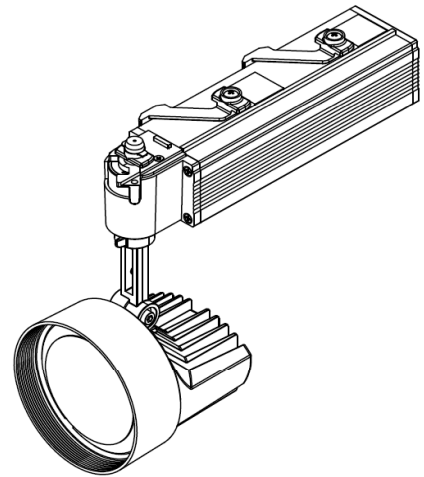


ECOHiLUX照明器具 配光データシート

意匠図

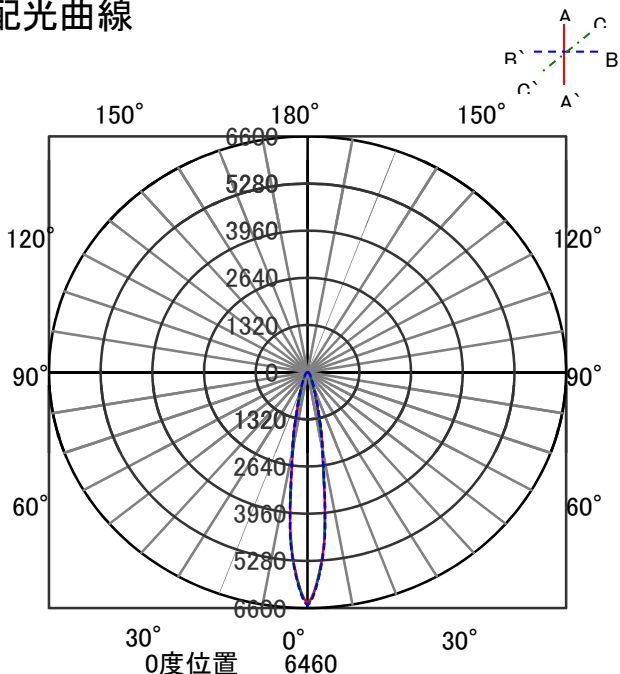
| | | | |
|------|-----------------|------|------|
| 器具品名 | スポットライト | 保守率 | |
| 器具品番 | SP18WW-15MUW | 良 | 0.78 |
| 部品品名 | - | 中 | 0.74 |
| 部品品番 | - | 否 | 0.70 |
| 器具光束 | 2180lm | 器具効率 | |
| 光源 | - | 上方向 | 0% |
| 光源光束 | 一体型器具のため、器具光束表示 | 下方向 | 100% |
| | | 全方向 | 100% |



照明率表

| 反射率 | 天井 | 80 | | | | | | | | 70 | | | | | | | | 50 | | | | | | | | 30 | | | | | | | | 0 | | | | | | | |
|-------------|------|-----|-----|-----|-----|-----|----|-----|-----|-----|-----|-----|-----|----|-----|----|-----|----|----|----|----|----|----|----|----|----|----|----|----|----|---|--|--|---|--|--|--|--|--|--|--|
| | | 壁 | | 70 | | 50 | | 30 | | 10 | | 70 | | 50 | | 30 | | 10 | | 50 | | 30 | | 10 | | 30 | | 10 | | 0 | | | | | | | | | | | |
| | 床 | 30 | 10 | 30 | 10 | 30 | 10 | 10 | 30 | 10 | 30 | 10 | 30 | 10 | 10 | 30 | 10 | 30 | 10 | 10 | 30 | 10 | 30 | 10 | 10 | 30 | 10 | 10 | 30 | 10 | 0 | | | | | | | | | | |
| 室 指 数 | 0.4 | 56 | 52 | 45 | 44 | 39 | 39 | 35 | 55 | 52 | 45 | 43 | 39 | 39 | 35 | 44 | 43 | 39 | 38 | 35 | 39 | 38 | 35 | 39 | 38 | 35 | 34 | | | | | | | | | | | | | | |
| | 0.6 | 72 | 67 | 62 | 59 | 56 | 54 | 50 | 71 | 66 | 61 | 58 | 55 | 54 | 50 | 60 | 58 | 55 | 53 | 50 | 54 | 53 | 50 | 54 | 53 | 50 | 49 | | | | | | | | | | | | | | |
| | 0.8 | 82 | 75 | 72 | 67 | 65 | 63 | 59 | 80 | 74 | 71 | 67 | 65 | 62 | 59 | 69 | 66 | 64 | 62 | 59 | 63 | 61 | 58 | 61 | 58 | 57 | | | | | | | | | | | | | | | |
| | 1 | 88 | 79 | 79 | 73 | 72 | 68 | 65 | 86 | 78 | 77 | 72 | 71 | 68 | 65 | 75 | 71 | 70 | 67 | 64 | 68 | 67 | 64 | 63 | | | | | | | | | | | | | | | | | |
| | 1.25 | 94 | 84 | 85 | 78 | 79 | 74 | 70 | 92 | 82 | 84 | 77 | 78 | 73 | 70 | 81 | 76 | 76 | 73 | 70 | 74 | 72 | 69 | 68 | | | | | | | | | | | | | | | | | |
| | 1.5 | 98 | 86 | 89 | 81 | 83 | 77 | 74 | 95 | 85 | 88 | 80 | 82 | 77 | 74 | 84 | 79 | 80 | 76 | 73 | 77 | 75 | 73 | 71 | | | | | | | | | | | | | | | | | |
| | 2 | 103 | 89 | 96 | 85 | 90 | 82 | 79 | 100 | 88 | 93 | 85 | 88 | 81 | 79 | 89 | 83 | 85 | 80 | 78 | 82 | 79 | 77 | 75 | | | | | | | | | | | | | | | | | |
| | 2.5 | 106 | 92 | 100 | 88 | 95 | 85 | 83 | 103 | 90 | 97 | 87 | 93 | 85 | 82 | 93 | 86 | 89 | 83 | 81 | 86 | 82 | 80 | 78 | | | | | | | | | | | | | | | | | |
| | 3 | 109 | 93 | 103 | 90 | 98 | 88 | 85 | 105 | 92 | 100 | 89 | 96 | 87 | 85 | 95 | 88 | 92 | 86 | 84 | 88 | 84 | 83 | 81 | | | | | | | | | | | | | | | | | |
| | 4 | 112 | 95 | 107 | 93 | 103 | 91 | 89 | 108 | 94 | 104 | 92 | 101 | 90 | 88 | 98 | 90 | 96 | 88 | 87 | 91 | 87 | 86 | 84 | | | | | | | | | | | | | | | | | |
| 5 | 114 | 96 | 110 | 94 | 107 | 93 | 91 | 110 | 95 | 107 | 93 | 104 | 92 | 90 | 100 | 92 | 98 | 90 | 89 | 93 | 89 | 88 | 86 | | | | | | | | | | | | | | | | | | |
| 7 | 116 | 97 | 113 | 96 | 111 | 95 | 94 | 112 | 96 | 110 | 95 | 107 | 94 | 93 | 103 | 93 | 101 | 92 | 92 | 96 | 91 | 90 | 88 | | | | | | | | | | | | | | | | | | |
| 10 | 118 | 98 | 116 | 98 | 114 | 97 | 96 | 113 | 97 | 112 | 97 | 110 | 96 | 95 | 105 | 95 | 104 | 94 | 94 | 98 | 92 | 92 | 90 | | | | | | | | | | | | | | | | | | |

配光曲線



直射水平面照度

