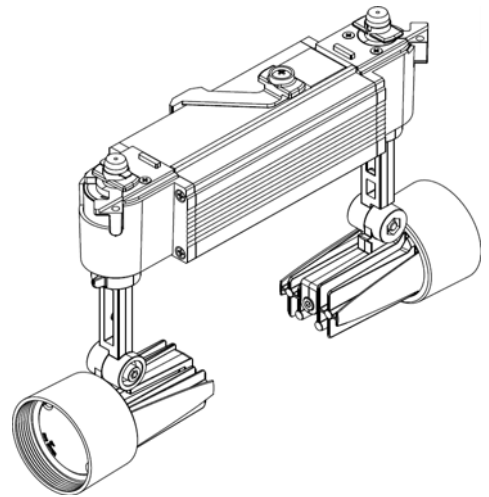


ECOHiLUX照明器具 配光データシート

意匠図

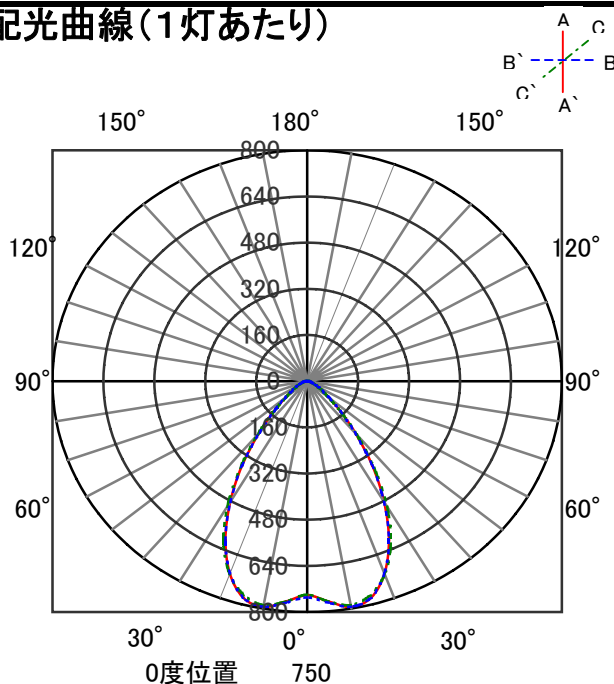
| | | | |
|------|-----------------|------|------|
| 器具品名 | ツインスポットライト | 保守率 | |
| 器具品番 | SP10L27-50TWW | 良 | 0.78 |
| 部品品名 | - | 中 | 0.74 |
| 部品品番 | - | 否 | 0.70 |
| 器具光束 | 600lm | 器具効率 | |
| 光源 | 600lm × 2 | 上方向 | 0% |
| 光源光束 | 一体型器具のため、器具光束表示 | 下方向 | 100% |
| | | 全方向 | 100% |



照明率表(1灯あたり)

| | | 作業面照明率(×0.01) | | | | | | | | | | | | | | | | | | | | | | |
|-------------|------|---------------|-----|-----|-----|-----|-----|-----|-----|-----|-----|-----|-----|-----|-----|-----|-----|-----|-----|-----|----|----|----|----|
| 反射率 | 天井 | 80 | | | | 70 | | | | 50 | | | | 30 | | | | 0 | | | | | | |
| | | 壁 | 70 | 50 | 30 | 10 | 70 | 50 | 30 | 10 | 50 | 30 | 10 | 30 | 10 | 10 | 30 | 10 | 0 | | | | | |
| | 床 | 30 | 10 | 30 | 10 | 30 | 10 | 10 | 30 | 10 | 30 | 10 | 30 | 10 | 10 | 30 | 10 | 30 | 10 | 10 | 0 | | | |
| 室 指 数 | 0.4 | 59 | 56 | 48 | 46 | 42 | 41 | 37 | 58 | 55 | 48 | 46 | 42 | 41 | 37 | 47 | 46 | 41 | 41 | 37 | 41 | 40 | 37 | 36 |
| | 0.6 | 81 | 74 | 70 | 66 | 63 | 61 | 58 | 79 | 73 | 69 | 66 | 63 | 61 | 58 | 68 | 65 | 62 | 61 | 58 | 61 | 60 | 57 | 56 |
| | 0.8 | 88 | 80 | 77 | 72 | 69 | 67 | 63 | 86 | 79 | 76 | 71 | 69 | 66 | 63 | 74 | 70 | 68 | 66 | 62 | 67 | 65 | 62 | 61 |
| | 1 | 96 | 86 | 85 | 79 | 78 | 74 | 70 | 93 | 85 | 84 | 78 | 77 | 74 | 70 | 81 | 77 | 76 | 73 | 70 | 74 | 72 | 69 | 68 |
| | 1.25 | 103 | 91 | 93 | 86 | 87 | 81 | 78 | 100 | 90 | 92 | 85 | 86 | 81 | 78 | 89 | 84 | 84 | 80 | 77 | 82 | 79 | 77 | 75 |
| | 1.5 | 106 | 93 | 97 | 88 | 90 | 84 | 80 | 103 | 92 | 95 | 87 | 89 | 83 | 80 | 91 | 86 | 86 | 82 | 79 | 84 | 81 | 79 | 77 |
| | 2 | 111 | 97 | 103 | 92 | 97 | 89 | 86 | 108 | 96 | 101 | 91 | 95 | 88 | 85 | 97 | 90 | 92 | 87 | 84 | 89 | 86 | 84 | 82 |
| | 2.5 | 115 | 99 | 109 | 96 | 103 | 93 | 90 | 112 | 98 | 106 | 95 | 101 | 92 | 90 | 101 | 93 | 97 | 91 | 89 | 93 | 90 | 88 | 86 |
| | 3 | 118 | 101 | 112 | 98 | 106 | 95 | 93 | 114 | 100 | 109 | 97 | 104 | 94 | 92 | 103 | 95 | 100 | 93 | 91 | 96 | 91 | 90 | 88 |
| | 4 | 121 | 103 | 116 | 100 | 111 | 98 | 96 | 117 | 101 | 112 | 99 | 109 | 97 | 95 | 106 | 97 | 103 | 96 | 94 | 99 | 94 | 93 | 90 |
| 5 | 123 | 104 | 119 | 102 | 115 | 100 | 98 | 118 | 103 | 115 | 101 | 112 | 99 | 98 | 108 | 99 | 106 | 97 | 96 | 101 | 96 | 95 | 92 | |
| 7 | 125 | 105 | 122 | 104 | 119 | 102 | 101 | 121 | 104 | 118 | 103 | 116 | 101 | 100 | 111 | 101 | 109 | 100 | 99 | 103 | 98 | 97 | 95 | |
| 10 | 127 | 106 | 125 | 105 | 123 | 104 | 103 | 122 | 105 | 120 | 104 | 119 | 103 | 102 | 113 | 102 | 111 | 101 | 101 | 105 | 99 | 99 | 96 | |

配光曲線(1灯あたり)



直射水平面照度(1灯あたり)

