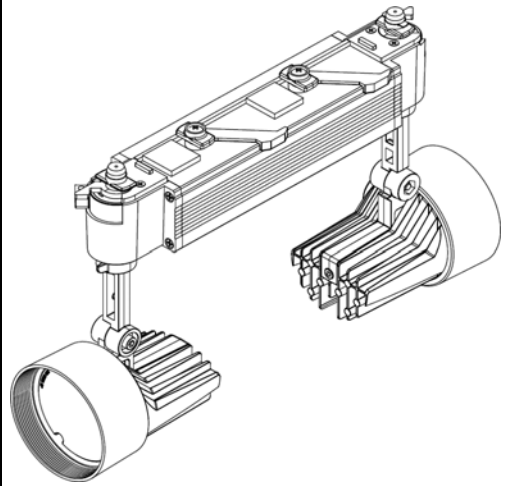


# ECOHiLUX照明器具 配光データシート

## 意匠図

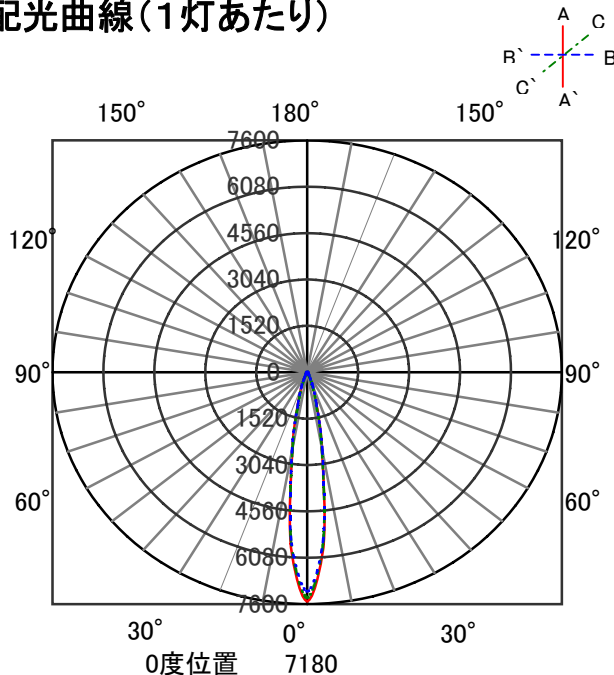
|      |                 |      |      |
|------|-----------------|------|------|
| 器具品名 | ツインスポットライト      | 保守率  |      |
| 器具品番 | SP16W-15TWW     | 良    | 0.78 |
| 部品品名 | -               | 中    | 0.74 |
| 部品品番 | -               | 否    | 0.70 |
| 器具光束 | 1150lm          | 器具効率 |      |
| 光源   | 1150lm × 2      | 上方向  | 0%   |
| 光源光束 | 一体型器具のため、器具光束表示 | 下方向  | 100% |
|      |                 | 全方向  | 100% |



## 照明率表(1灯あたり)

|             |      | 作業面照明率(×0.01) |     |     |     |     |     |     |     |     |     |     |     |    |     |     |     |    |    |     |    |    |    |    |
|-------------|------|---------------|-----|-----|-----|-----|-----|-----|-----|-----|-----|-----|-----|----|-----|-----|-----|----|----|-----|----|----|----|----|
| 反射率         | 天井   | 80            |     |     |     |     |     |     |     | 70  |     |     |     | 50 |     |     |     | 30 |    | 0   |    |    |    |    |
|             | 壁    | 70            | 50  | 30  | 10  | 70  | 50  | 30  | 10  | 70  | 50  | 30  | 10  | 50 | 30  | 10  | 30  | 10 | 30 | 10  | 0  | 0  |    |    |
| 床           | 30   | 10            | 30  | 10  | 30  | 10  | 10  | 30  | 10  | 30  | 10  | 30  | 10  | 10 | 30  | 10  | 30  | 10 | 30 | 10  | 10 | 0  |    |    |
| 室<br>指<br>数 | 0.4  | 59            | 55  | 48  | 47  | 43  | 42  | 39  | 58  | 55  | 48  | 46  | 42  | 39 | 47  | 46  | 42  | 41 | 38 | 42  | 41 | 38 | 37 |    |
|             | 0.6  | 76            | 70  | 66  | 63  | 60  | 58  | 54  | 75  | 69  | 65  | 62  | 59  | 58 | 54  | 64  | 61  | 59 | 57 | 54  | 58 | 57 | 54 | 53 |
|             | 0.8  | 86            | 78  | 76  | 71  | 69  | 66  | 63  | 84  | 77  | 75  | 71  | 69  | 66 | 63  | 73  | 70  | 68 | 66 | 63  | 67 | 65 | 62 | 61 |
|             | 1    | 92            | 83  | 83  | 77  | 76  | 72  | 69  | 90  | 82  | 81  | 76  | 75  | 72 | 69  | 79  | 75  | 74 | 71 | 68  | 72 | 70 | 68 | 66 |
|             | 1.25 | 98            | 87  | 89  | 82  | 82  | 77  | 74  | 96  | 86  | 87  | 81  | 81  | 77 | 74  | 85  | 80  | 80 | 76 | 73  | 78 | 75 | 73 | 71 |
|             | 1.5  | 102           | 90  | 93  | 85  | 87  | 81  | 78  | 99  | 88  | 91  | 84  | 86  | 80 | 77  | 88  | 82  | 83 | 79 | 77  | 81 | 78 | 76 | 74 |
|             | 2    | 107           | 93  | 99  | 89  | 93  | 85  | 83  | 104 | 92  | 97  | 88  | 92  | 85 | 82  | 93  | 86  | 89 | 84 | 81  | 86 | 83 | 81 | 79 |
|             | 2.5  | 110           | 95  | 104 | 91  | 98  | 89  | 86  | 107 | 94  | 101 | 91  | 96  | 88 | 86  | 96  | 89  | 93 | 87 | 85  | 89 | 85 | 84 | 82 |
|             | 3    | 112           | 96  | 107 | 93  | 102 | 91  | 89  | 109 | 95  | 104 | 92  | 100 | 90 | 88  | 99  | 91  | 95 | 89 | 87  | 91 | 87 | 86 | 84 |
|             | 4    | 115           | 98  | 111 | 96  | 107 | 94  | 92  | 112 | 97  | 108 | 95  | 104 | 93 | 92  | 102 | 93  | 99 | 92 | 90  | 95 | 90 | 89 | 87 |
| 5           | 117  | 99            | 114 | 98  | 110 | 96  | 95  | 113 | 98  | 110 | 97  | 107 | 95  | 94 | 104 | 95  | 102 | 94 | 92 | 97  | 92 | 91 | 89 |    |
| 7           | 120  | 101           | 117 | 99  | 115 | 98  | 97  | 115 | 99  | 113 | 98  | 111 | 97  | 97 | 106 | 97  | 105 | 96 | 95 | 99  | 94 | 93 | 91 |    |
| 10          | 121  | 101           | 120 | 101 | 118 | 100 | 100 | 117 | 100 | 116 | 100 | 114 | 99  | 99 | 108 | 98  | 107 | 97 | 97 | 101 | 96 | 95 | 93 |    |

## 配光曲線(1灯あたり)



## 直射水平面照度(1灯あたり)

