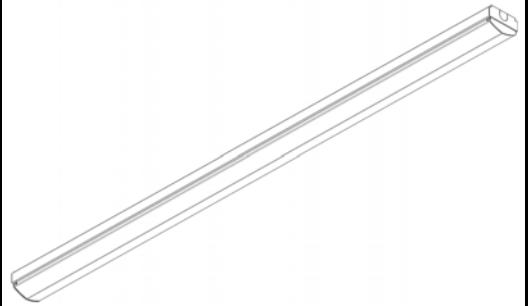


ECOHiLUX照明器具 配光データシート

意匠図

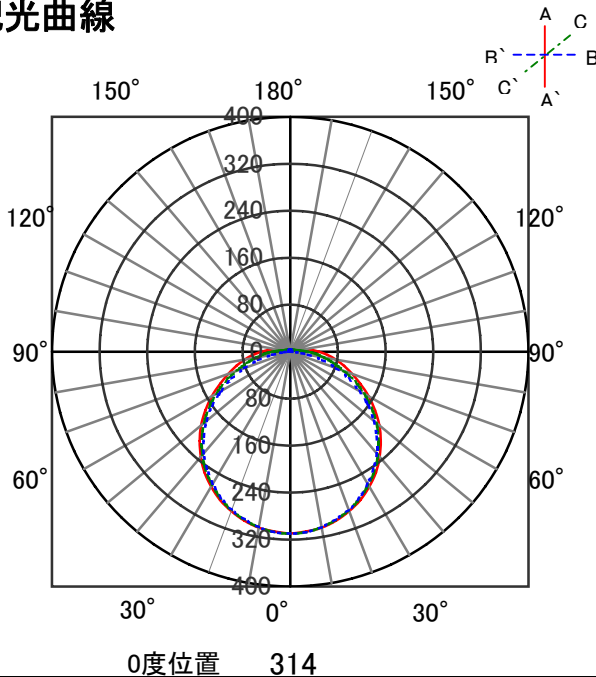
| | | | |
|------|-----------------|------|------|
| 器具品名 | ラインルクス | 保守率 | |
| 器具品番 | LDMOBL-38W-TR40 | 良 | 0.77 |
| 部品品名 | - | 中 | 0.72 |
| 部品品番 | - | 否 | 0.64 |
| 器具光束 | 3800lm | 器具効率 | |
| 光源 | LED | 上方向 | 4% |
| 光源光束 | 一体型器具のため、器具光束表示 | 下方向 | 96% |
| | | 全方向 | 100% |



照明率表

| | | 作業面照明率(×0.01) | | | | | | | | | | | | | | | | | | | | | | | | | | | | | |
|-------------|--------------|---------------|-----|-----|-----|-----|----|-----|-----|-----|-----|-----|----|----|-----|----|-----|----|----|----|----|----|----|----|----|----|----|----|----|----|----|
| 反射率 | 天井 壁 床 | 80 | | | | | | 70 | | | | | | 50 | | | | | | 30 | | | | | | 0 | | | | | |
| | | 70 | 10 | 30 | 10 | 30 | 10 | 70 | 10 | 30 | 10 | 30 | 10 | 50 | 10 | 30 | 10 | 30 | 10 | 30 | 10 | 10 | 30 | 10 | 10 | 30 | 10 | 10 | 30 | 10 | 10 |
| 室 指 数 | 0.4 | 44 | 41 | 31 | 29 | 23 | 22 | 18 | 43 | 40 | 30 | 29 | 23 | 22 | 18 | 29 | 28 | 22 | 22 | 17 | 21 | 21 | 17 | 15 | | | | | | | |
| | 0.6 | 61 | 56 | 46 | 44 | 37 | 36 | 31 | 59 | 54 | 45 | 43 | 37 | 35 | 30 | 43 | 41 | 35 | 35 | 30 | 34 | 34 | 29 | 27 | | | | | | | |
| | 0.8 | 71 | 65 | 56 | 52 | 46 | 44 | 38 | 68 | 63 | 54 | 51 | 45 | 44 | 38 | 52 | 49 | 44 | 42 | 37 | 42 | 41 | 37 | 34 | | | | | | | |
| | 1 | 80 | 72 | 65 | 60 | 55 | 52 | 46 | 77 | 70 | 63 | 59 | 54 | 51 | 45 | 60 | 57 | 52 | 50 | 45 | 50 | 49 | 44 | 41 | | | | | | | |
| | 1.25 | 88 | 78 | 74 | 68 | 64 | 60 | 54 | 85 | 76 | 72 | 67 | 63 | 59 | 54 | 68 | 64 | 60 | 58 | 53 | 58 | 56 | 52 | 49 | | | | | | | |
| | 1.5 | 93 | 82 | 80 | 73 | 70 | 65 | 59 | 90 | 80 | 78 | 71 | 69 | 64 | 59 | 73 | 69 | 66 | 62 | 57 | 63 | 61 | 56 | 53 | | | | | | | |
| | 2 | 101 | 88 | 89 | 80 | 80 | 73 | 68 | 97 | 86 | 87 | 78 | 78 | 72 | 67 | 81 | 75 | 74 | 70 | 65 | 71 | 68 | 64 | 61 | | | | | | | |
| | 2.5 | 107 | 92 | 96 | 85 | 88 | 79 | 74 | 102 | 90 | 93 | 83 | 85 | 78 | 73 | 87 | 80 | 81 | 76 | 72 | 77 | 73 | 70 | 66 | | | | | | | |
| | 3 | 110 | 94 | 101 | 88 | 93 | 83 | 78 | 105 | 92 | 97 | 87 | 90 | 82 | 77 | 91 | 83 | 85 | 79 | 75 | 80 | 77 | 74 | 70 | | | | | | | |
| | 4 | 115 | 98 | 107 | 93 | 100 | 88 | 84 | 110 | 95 | 103 | 91 | 97 | 87 | 83 | 96 | 88 | 91 | 84 | 81 | 86 | 82 | 79 | 75 | | | | | | | |
| 5 | 118 | 100 | 111 | 96 | 105 | 92 | 88 | 113 | 98 | 107 | 94 | 102 | 90 | 87 | 99 | 90 | 95 | 88 | 85 | 89 | 85 | 83 | 78 | | | | | | | | |
| 7 | 121 | 102 | 116 | 99 | 112 | 96 | 93 | 116 | 100 | 112 | 97 | 108 | 94 | 92 | 103 | 94 | 100 | 91 | 89 | 94 | 89 | 87 | 83 | | | | | | | | |
| 10 | 124 | 104 | 120 | 102 | 117 | 99 | 97 | 119 | 102 | 116 | 100 | 112 | 98 | 96 | 107 | 96 | 104 | 95 | 93 | 97 | 92 | 90 | 86 | | | | | | | | |

配光曲線



直射水平面照度

