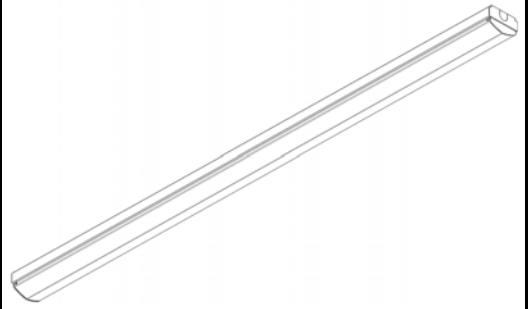


# ECOHiLUX照明器具 配光データシート

## 意匠図

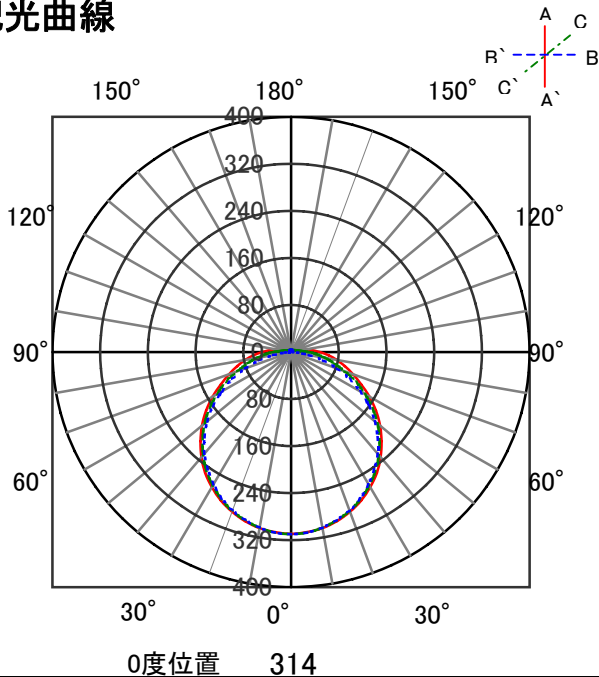
|      |                   |      |      |
|------|-------------------|------|------|
| 器具品名 | ラインルクス            | 保守率  |      |
| 器具品番 | LDMOBL-65W-TR40-D | 良    | 0.77 |
| 部品品名 | -                 | 中    | 0.72 |
| 部品品番 | -                 | 否    | 0.64 |
| 器具光束 | 6560lm            | 器具効率 |      |
| 光源   | LED               | 上方向  | 4%   |
| 光源光束 | 一体型器具のため、器具光束表示   | 下方向  | 96%  |
|      |                   | 全方向  | 100% |



## 照明率表

|             |              | 作業面照明率(×0.01) |     |     |     |     |    |     |     |     |     |     |    |    |     |    |     |    |    |    |    |    |    |    |
|-------------|--------------|---------------|-----|-----|-----|-----|----|-----|-----|-----|-----|-----|----|----|-----|----|-----|----|----|----|----|----|----|----|
| 反射率         | 天井<br>壁<br>床 | 80            |     |     |     |     |    | 70  |     |     |     |     |    | 50 |     |    |     |    |    | 30 |    | 0  |    |    |
|             |              | 70            | 10  | 30  | 10  | 30  | 10 | 70  | 10  | 30  | 10  | 30  | 10 | 50 | 10  | 30 | 10  | 30 | 10 | 30 | 10 | 30 | 10 |    |
| 室<br>指<br>数 | 0.4          | 44            | 41  | 31  | 29  | 23  | 22 | 18  | 43  | 40  | 30  | 29  | 23 | 22 | 18  | 29 | 28  | 22 | 22 | 17 | 21 | 21 | 17 | 15 |
|             | 0.6          | 61            | 56  | 46  | 44  | 37  | 36 | 31  | 59  | 54  | 45  | 43  | 37 | 35 | 30  | 43 | 41  | 35 | 35 | 30 | 34 | 34 | 29 | 27 |
|             | 0.8          | 71            | 65  | 56  | 52  | 46  | 44 | 38  | 68  | 63  | 54  | 51  | 45 | 44 | 38  | 52 | 49  | 44 | 42 | 37 | 42 | 41 | 37 | 34 |
|             | 1            | 80            | 72  | 65  | 60  | 55  | 52 | 46  | 77  | 70  | 63  | 59  | 54 | 51 | 45  | 60 | 57  | 52 | 50 | 45 | 50 | 49 | 44 | 41 |
|             | 1.25         | 88            | 78  | 74  | 68  | 64  | 60 | 54  | 85  | 76  | 72  | 67  | 63 | 59 | 54  | 68 | 64  | 60 | 58 | 53 | 58 | 56 | 52 | 49 |
|             | 1.5          | 93            | 82  | 80  | 73  | 70  | 65 | 59  | 90  | 80  | 78  | 71  | 69 | 64 | 59  | 73 | 69  | 66 | 62 | 57 | 63 | 61 | 56 | 53 |
|             | 2            | 101           | 88  | 89  | 80  | 80  | 73 | 68  | 97  | 86  | 87  | 78  | 78 | 72 | 67  | 81 | 75  | 74 | 70 | 65 | 71 | 68 | 64 | 61 |
|             | 2.5          | 107           | 92  | 96  | 85  | 88  | 79 | 74  | 102 | 90  | 93  | 83  | 85 | 78 | 73  | 87 | 80  | 81 | 76 | 72 | 77 | 73 | 70 | 66 |
|             | 3            | 110           | 94  | 101 | 88  | 93  | 83 | 78  | 105 | 92  | 97  | 87  | 90 | 82 | 77  | 91 | 83  | 85 | 79 | 75 | 80 | 77 | 74 | 70 |
|             | 4            | 115           | 98  | 107 | 93  | 100 | 88 | 84  | 110 | 95  | 103 | 91  | 97 | 87 | 83  | 96 | 88  | 91 | 84 | 81 | 86 | 82 | 79 | 75 |
| 5           | 118          | 100           | 111 | 96  | 105 | 92  | 88 | 113 | 98  | 107 | 94  | 102 | 90 | 87 | 99  | 90 | 95  | 88 | 85 | 89 | 85 | 83 | 78 |    |
| 7           | 121          | 102           | 116 | 99  | 112 | 96  | 93 | 116 | 100 | 112 | 97  | 108 | 94 | 92 | 103 | 94 | 100 | 91 | 89 | 94 | 89 | 87 | 83 |    |
| 10          | 124          | 104           | 120 | 102 | 117 | 99  | 97 | 119 | 102 | 116 | 100 | 112 | 98 | 96 | 107 | 96 | 104 | 95 | 93 | 97 | 92 | 90 | 86 |    |

## 配光曲線



## 直射水平面照度

