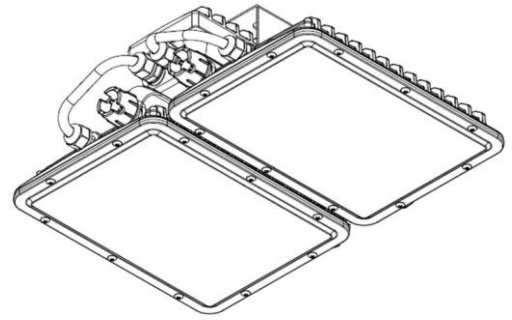


# ECOHiLUX照明器具 配光データシート

## 意匠図

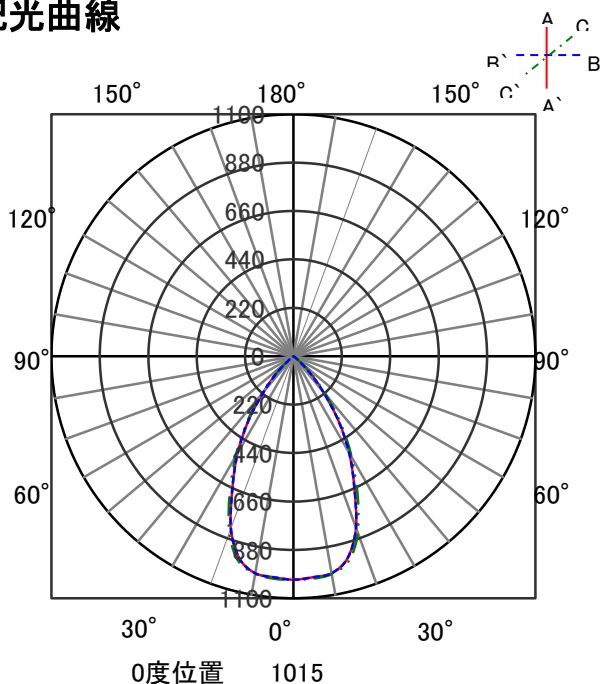
|      |                  |      |   |
|------|------------------|------|---|
| 器具品名 | キャンピーライト         | 保守率  |   |
| 器具品番 | IRLDGPY144N2-N-B | 良    | - |
| 部品品名 | -                | 中    | - |
| 部品品番 | -                | 否    | - |
| 器具光束 | 17800lm          | 器具効率 |   |
| 光源   | -                | 上方向  |   |
| 光源光束 | 一体型器具のため、器具光束表示  | 下方向  |   |
|      |                  | 全方向  |   |



## 照明率表

|             |      | 作業面照明率(×0.01) |     |     |     |     |     |     |     |     |     |     |     |     |     |     |     |     |     |     |     |     |    |    |    |
|-------------|------|---------------|-----|-----|-----|-----|-----|-----|-----|-----|-----|-----|-----|-----|-----|-----|-----|-----|-----|-----|-----|-----|----|----|----|
| 反射率         | 天井   | 80            |     |     |     |     |     |     |     | 70  |     |     |     | 50  |     |     |     | 30  |     | 0   |     |     |    |    |    |
|             | 壁    | 70            | 50  | 30  | 10  | 70  | 50  | 30  | 10  | 70  | 50  | 30  | 10  | 50  | 30  | 10  | 30  | 10  | 10  | 0   |     |     |    |    |    |
| 床           | 30   | 10            | 30  | 10  | 30  | 10  | 10  | 30  | 10  | 30  | 10  | 30  | 10  | 30  | 10  | 30  | 10  | 30  | 10  | 10  | 0   |     |    |    |    |
| 室<br>指<br>数 | 0.4  | 64            | 60  | 53  | 51  | 47  | 46  | 42  | 62  | 59  | 52  | 50  | 46  | 45  | 42  | 51  | 50  | 46  | 45  | 42  | 46  | 45  | 42 | 41 |    |
|             | 0.6  | 86            | 79  | 76  | 72  | 70  | 67  | 64  | 84  | 84  | 78  | 75  | 72  | 69  | 67  | 64  | 73  | 71  | 68  | 67  | 64  | 68  | 66 | 64 | 62 |
|             | 0.8  | 92            | 84  | 82  | 77  | 75  | 72  | 69  | 90  | 83  | 81  | 76  | 74  | 72  | 68  | 79  | 75  | 73  | 71  | 68  | 72  | 70  | 68 | 66 |    |
|             | 1    | 100           | 90  | 90  | 83  | 83  | 79  | 76  | 97  | 88  | 89  | 83  | 83  | 79  | 76  | 86  | 82  | 81  | 78  | 75  | 79  | 77  | 75 | 73 |    |
|             | 1.25 | 107           | 95  | 98  | 90  | 92  | 86  | 84  | 104 | 94  | 97  | 89  | 91  | 86  | 83  | 93  | 88  | 89  | 85  | 83  | 87  | 84  | 82 | 80 |    |
|             | 1.5  | 109           | 96  | 101 | 92  | 95  | 88  | 85  | 106 | 95  | 99  | 91  | 93  | 88  | 85  | 95  | 89  | 91  | 86  | 84  | 88  | 85  | 83 | 82 |    |
|             | 2    | 114           | 99  | 107 | 96  | 101 | 93  | 90  | 111 | 98  | 105 | 95  | 99  | 92  | 89  | 100 | 93  | 96  | 91  | 88  | 93  | 89  | 88 | 85 |    |
|             | 2.5  | 118           | 102 | 112 | 99  | 107 | 96  | 94  | 115 | 101 | 109 | 98  | 105 | 96  | 94  | 104 | 96  | 101 | 94  | 93  | 97  | 93  | 91 | 89 |    |
|             | 3    | 120           | 103 | 115 | 100 | 110 | 98  | 96  | 116 | 102 | 112 | 99  | 108 | 97  | 96  | 106 | 97  | 103 | 96  | 94  | 99  | 94  | 93 | 91 |    |
|             | 4    | 123           | 104 | 118 | 102 | 115 | 101 | 99  | 119 | 103 | 115 | 101 | 112 | 100 | 98  | 109 | 99  | 106 | 98  | 97  | 101 | 96  | 95 | 93 |    |
| 5           | 125  | 105           | 121 | 104 | 118 | 103 | 101 | 120 | 104 | 117 | 103 | 115 | 102 | 100 | 111 | 101 | 109 | 100 | 99  | 103 | 98  | 97  | 95 |    |    |
| 7           | 127  | 107           | 124 | 106 | 122 | 105 | 104 | 122 | 105 | 120 | 104 | 118 | 104 | 103 | 113 | 102 | 111 | 102 | 101 | 105 | 100 | 99  | 96 |    |    |
| 10          | 128  | 107           | 127 | 107 | 125 | 106 | 106 | 124 | 106 | 122 | 106 | 121 | 105 | 104 | 114 | 103 | 113 | 103 | 102 | 107 | 101 | 100 | 97 |    |    |

## 配光曲線



## 直射水平面照度

