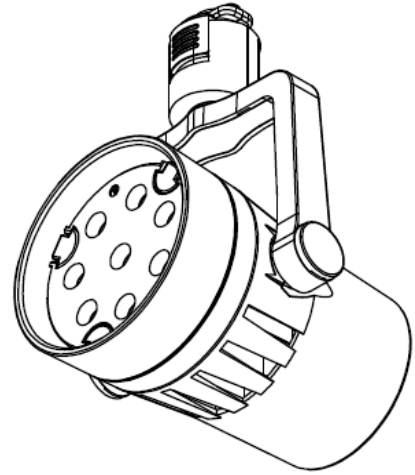


ECOHiLUX照明器具 配光データシート

意匠図

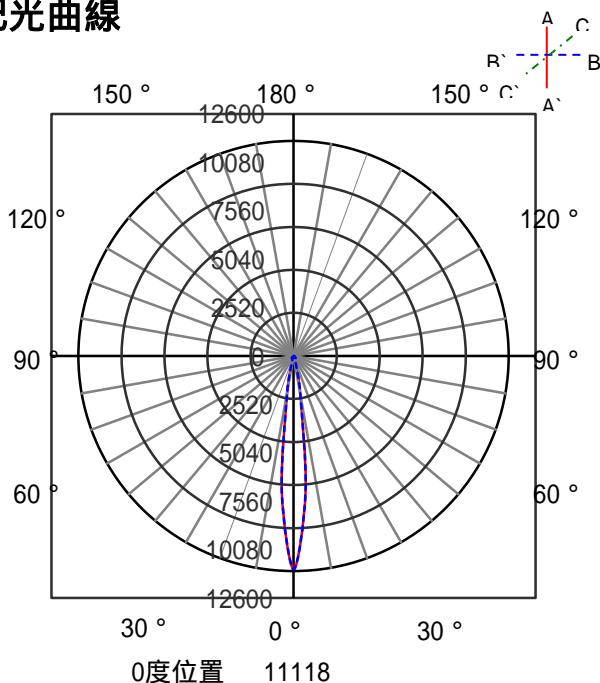


| | | | |
|------|--------------------------|------|------|
| 器具品名 | LEDスポットライト S-triaシリーズ | 保守率 | |
| 器具品番 | SP8L30-15STB | 良 | 0.69 |
| 部品品名 | - | 中 | 0.67 |
| 部品品番 | - | 否 | 0.63 |
| 器具光束 | 1140lm | 器具効率 | |
| 光源 | - | 上方向 | 0% |
| 光源光束 | 一体型器具のため、器具光束表示 | 下方向 | 100% |
| | | 全方向 | 100% |

照明率表

| | | 作業面照明率(×0.01) | | | | | | | | | | | | | | | | | | | | | | | | | | | | |
|-------------|------|---------------|-----|-----|-----|-----|-----|-----|-----|-----|-----|-----|-----|-----|-----|-----|-----|-----|-----|-----|-----|-----|-----|----|----|----|----|----|---|--|
| 反射率 | 天井 | 80 | | | | | | | | 70 | | | | | | | | 50 | | | | 30 | | | | 0 | | | | |
| | 壁 | 70 | | 50 | | 30 | | 10 | | 70 | | 50 | | 30 | | 10 | | 50 | | 30 | | 10 | | 30 | | 10 | | 0 | | |
| | 床 | 30 | 10 | 30 | 10 | 30 | 10 | 10 | 30 | 10 | 30 | 10 | 30 | 10 | 10 | 30 | 10 | 30 | 10 | 10 | 30 | 10 | 30 | 10 | 10 | 30 | 10 | 10 | 0 | |
| 室 指 数 | 0.4 | 63 | 59 | 50 | 48 | 43 | 42 | 38 | 62 | 58 | 49 | 48 | 43 | 42 | 38 | 49 | 47 | 42 | 42 | 38 | 42 | 41 | 38 | 36 | | | | | | |
| | 0.6 | 82 | 76 | 69 | 66 | 61 | 60 | 55 | 81 | 75 | 68 | 65 | 61 | 59 | 55 | 67 | 64 | 60 | 59 | 55 | 59 | 58 | 55 | 53 | | | | | | |
| | 0.8 | 94 | 86 | 81 | 76 | 73 | 70 | 66 | 92 | 84 | 80 | 76 | 73 | 70 | 66 | 78 | 75 | 71 | 69 | 65 | 70 | 69 | 65 | 63 | | | | | | |
| | 1 | 102 | 92 | 90 | 83 | 82 | 78 | 73 | 100 | 90 | 89 | 83 | 81 | 77 | 73 | 86 | 81 | 79 | 76 | 73 | 78 | 76 | 72 | 70 | | | | | | |
| | 1.25 | 109 | 97 | 98 | 90 | 90 | 85 | 80 | 106 | 96 | 96 | 89 | 89 | 84 | 80 | 93 | 88 | 87 | 83 | 80 | 85 | 82 | 79 | 77 | | | | | | |
| | 1.5 | 114 | 101 | 104 | 94 | 96 | 89 | 85 | 111 | 99 | 102 | 93 | 95 | 89 | 85 | 98 | 92 | 92 | 87 | 84 | 89 | 86 | 83 | 81 | | | | | | |
| | 2 | 121 | 105 | 112 | 100 | 104 | 95 | 92 | 117 | 104 | 109 | 99 | 103 | 95 | 91 | 104 | 97 | 99 | 93 | 90 | 96 | 92 | 90 | 87 | | | | | | |
| | 2.5 | 125 | 108 | 117 | 103 | 110 | 100 | 96 | 121 | 106 | 114 | 102 | 108 | 99 | 96 | 109 | 100 | 104 | 97 | 95 | 100 | 96 | 94 | 91 | | | | | | |
| | 3 | 128 | 110 | 121 | 106 | 115 | 102 | 100 | 124 | 108 | 117 | 105 | 112 | 102 | 99 | 112 | 103 | 107 | 100 | 98 | 103 | 99 | 97 | 94 | | | | | | |
| | 4 | 131 | 112 | 126 | 109 | 121 | 106 | 104 | 127 | 110 | 122 | 108 | 118 | 105 | 103 | 115 | 106 | 112 | 104 | 102 | 107 | 102 | 100 | 98 | | | | | | |
| 5 | 134 | 113 | 129 | 111 | 125 | 109 | 107 | 129 | 112 | 125 | 110 | 122 | 108 | 106 | 118 | 108 | 115 | 106 | 104 | 110 | 104 | 103 | 100 | | | | | | | |
| 7 | 136 | 115 | 133 | 113 | 130 | 112 | 110 | 132 | 113 | 129 | 112 | 126 | 111 | 109 | 121 | 110 | 119 | 109 | 108 | 113 | 107 | 106 | 103 | | | | | | | |
| 10 | 139 | 116 | 136 | 115 | 134 | 114 | 113 | 134 | 115 | 132 | 114 | 130 | 113 | 112 | 123 | 111 | 122 | 111 | 110 | 115 | 109 | 108 | 105 | | | | | | | |

配光曲線



直射水平面照度

