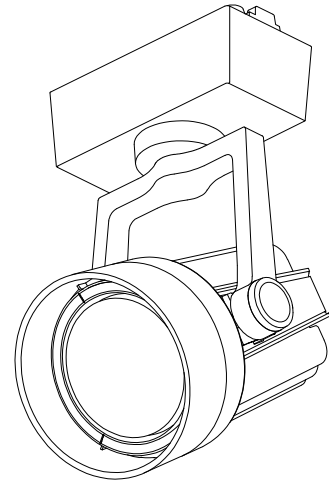


ECOHiLUX照明器具 配光データシート

| | | | |
|------|-----------------------------------|------|------|
| 器具品名 | S-triaスポットライトFOODEE 高照度/高演色タイプ | 保守率 | |
| 器具品番 | SP34W-WSCW-CC | 良 | 0.69 |
| 部品品名 | - | 中 | 0.67 |
| 部品品番 | - | 否 | 0.63 |
| 器具光束 | 3400lm | 器具効率 | |
| 光源 | - | 上方向 | 0% |
| 光源光束 | 一体型器具のため、器具光束表示 | 下方向 | 100% |
| | | 全方向 | 100% |

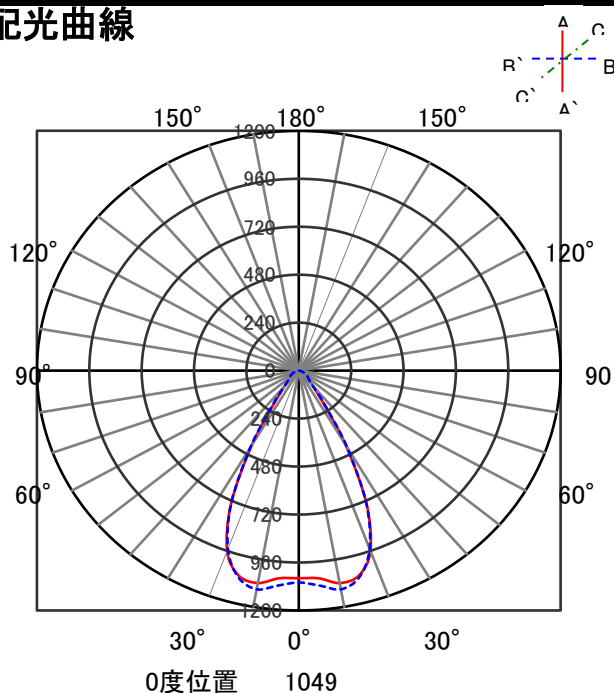


照明率表

作業面照明率(×0.01)

| 反射率(%) | 天井 | 80 | | | | | | | | 70 | | | | | | | | 50 | | | | 30 | | | | 0 | | | | | |
|--------|------|-----|-----|-----|-----|-----|-----|-----|-----|-----|-----|-----|-----|-----|-----|-----|-----|-----|-----|-----|-----|-----|-----|----|----|----|----|----|----|----|---|
| | | 壁 | | 70 | | 50 | | 30 | | 10 | | 70 | | 50 | | 30 | | 10 | | 50 | | 30 | | 10 | | 30 | | 10 | | 0 | |
| 0.4 | 床 | 30 | 10 | 30 | 10 | 30 | 10 | 30 | 10 | 30 | 10 | 30 | 10 | 30 | 10 | 30 | 10 | 30 | 10 | 30 | 10 | 30 | 10 | 30 | 10 | 30 | 10 | 30 | 10 | 0 | 0 |
| 0.6 | 0.4 | 62 | 58 | 50 | 49 | 44 | 43 | 40 | 61 | 57 | 50 | 48 | 44 | 43 | 40 | 49 | 48 | 44 | 43 | 40 | 43 | 43 | 40 | 43 | 43 | 40 | 38 | 38 | 38 | 38 | |
| 0.8 | 0.6 | 80 | 74 | 69 | 65 | 62 | 60 | 56 | 79 | 73 | 68 | 65 | 61 | 60 | 56 | 67 | 64 | 61 | 59 | 56 | 60 | 59 | 56 | 60 | 59 | 56 | 54 | 54 | 54 | 54 | |
| 1 | 0.8 | 91 | 82 | 80 | 75 | 72 | 69 | 66 | 89 | 81 | 79 | 74 | 72 | 69 | 66 | 77 | 73 | 71 | 69 | 65 | 70 | 68 | 65 | 70 | 68 | 65 | 64 | 64 | 64 | 64 | |
| 1.25 | 1 | 97 | 88 | 87 | 81 | 80 | 76 | 72 | 95 | 86 | 86 | 80 | 79 | 75 | 72 | 83 | 79 | 77 | 75 | 71 | 76 | 74 | 71 | 76 | 74 | 71 | 69 | 69 | 69 | 69 | |
| 1.5 | 1.25 | 104 | 92 | 94 | 86 | 87 | 82 | 78 | 101 | 91 | 92 | 85 | 86 | 81 | 78 | 89 | 84 | 84 | 80 | 77 | 82 | 79 | 77 | 82 | 79 | 77 | 75 | 75 | 75 | 75 | |
| 2 | 1.5 | 108 | 95 | 99 | 90 | 92 | 85 | 82 | 105 | 94 | 97 | 89 | 90 | 85 | 82 | 93 | 87 | 88 | 84 | 81 | 86 | 83 | 80 | 86 | 83 | 80 | 79 | 79 | 79 | 79 | |
| 2.5 | 2 | 113 | 99 | 105 | 94 | 99 | 90 | 87 | 110 | 97 | 103 | 93 | 97 | 90 | 87 | 99 | 92 | 94 | 89 | 86 | 91 | 88 | 85 | 91 | 88 | 85 | 83 | 83 | 83 | 83 | |
| 3 | 2.5 | 117 | 101 | 110 | 97 | 104 | 94 | 91 | 113 | 100 | 107 | 96 | 102 | 93 | 91 | 102 | 95 | 98 | 92 | 90 | 95 | 91 | 89 | 91 | 89 | 87 | 87 | 87 | 87 | 87 | |
| 4 | 3 | 119 | 102 | 113 | 99 | 108 | 97 | 94 | 116 | 101 | 110 | 98 | 106 | 96 | 94 | 105 | 97 | 101 | 94 | 92 | 97 | 93 | 91 | 93 | 91 | 89 | 89 | 89 | 89 | 89 | |
| 5 | 4 | 123 | 104 | 118 | 102 | 114 | 100 | 98 | 119 | 103 | 114 | 101 | 111 | 99 | 97 | 108 | 99 | 105 | 98 | 96 | 101 | 96 | 95 | 96 | 95 | 92 | 92 | 92 | 92 | 92 | |
| 7 | 5 | 125 | 106 | 121 | 104 | 117 | 102 | 101 | 121 | 104 | 117 | 103 | 114 | 101 | 100 | 111 | 101 | 108 | 100 | 98 | 103 | 98 | 97 | 98 | 97 | 94 | 94 | 94 | 94 | 94 | |
| 10 | 7 | 127 | 107 | 124 | 106 | 122 | 105 | 104 | 123 | 106 | 120 | 105 | 118 | 104 | 103 | 113 | 103 | 112 | 102 | 101 | 106 | 100 | 99 | 99 | 97 | 97 | 97 | 97 | 97 | 97 | |
| | 10 | 129 | 108 | 127 | 107 | 125 | 107 | 106 | 125 | 107 | 123 | 106 | 121 | 106 | 105 | 115 | 104 | 114 | 104 | 103 | 108 | 102 | 101 | 99 | 99 | 99 | 99 | 99 | 99 | 99 | |

配光曲線



直射水平面照度

