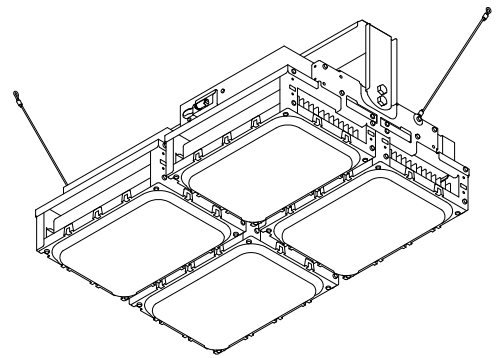


# ECOHiLUX照明器具 配光データシート

## 意匠図

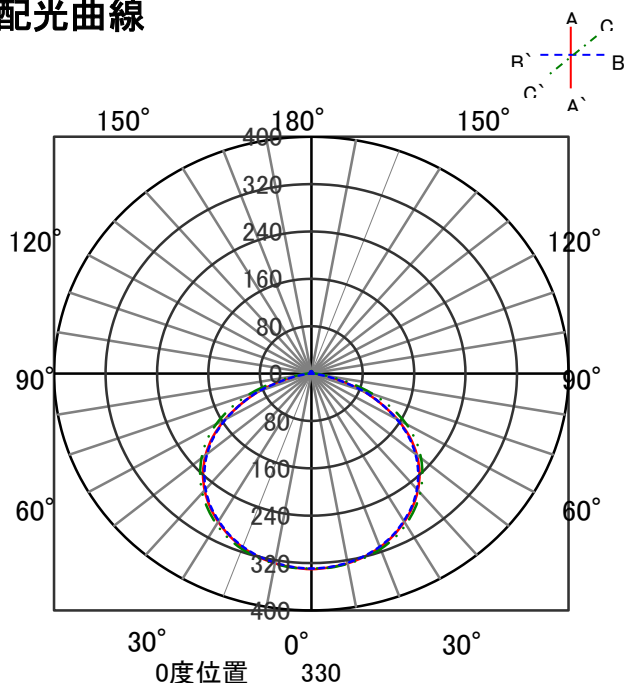
|      |                    |      |      |
|------|--------------------|------|------|
| 器具品名 | 高天井LED照明HX-Rシリーズ   | 保守率  |      |
| 器具品番 | HXR200-600N-W-B-LI | 良    | 0.69 |
| 部品品名 | -                  | 中    | 0.67 |
| 部品品番 | -                  | 否    | 0.63 |
| 器具光束 | 60000lm            | 器具効率 |      |
| 光源   | LED                | 上方向  | 0%   |
| 光源光束 | 一体型器具のため、器具光束表示    | 下方向  | 100% |
|      |                    | 全方向  | 100% |



## 照明率表

|             |      | 作業面照明率(×0.01) |     |     |     |     |     |     |     |     |     |     |     |    |     |     |     |    |    |     |    |    |    |    |  |   |
|-------------|------|---------------|-----|-----|-----|-----|-----|-----|-----|-----|-----|-----|-----|----|-----|-----|-----|----|----|-----|----|----|----|----|--|---|
| 反射率         | 天井   | 80            |     |     |     |     |     |     |     | 70  |     |     |     |    |     |     |     | 50 |    |     |    | 30 |    |    |  | 0 |
|             | 壁    | 70            |     | 50  |     | 30  |     | 10  | 70  |     | 50  |     | 30  |    | 10  | 50  |     | 30 |    | 10  | 30 |    | 10 | 0  |  |   |
|             | 床    | 30            | 10  | 30  | 10  | 30  | 10  | 10  | 30  | 10  | 30  | 10  | 30  | 10 | 10  | 30  | 10  | 30 | 10 | 10  | 30 | 10 | 10 | 0  |  |   |
| 室<br>指<br>数 | 0.4  | 45            | 42  | 31  | 30  | 24  | 23  | 19  | 44  | 41  | 31  | 30  | 24  | 23 | 19  | 30  | 29  | 23 | 23 | 19  | 23 | 22 | 19 | 17 |  |   |
|             | 0.6  | 62            | 57  | 48  | 45  | 39  | 38  | 32  | 60  | 56  | 47  | 45  | 38  | 37 | 32  | 45  | 43  | 38 | 37 | 32  | 37 | 36 | 32 | 30 |  |   |
|             | 0.8  | 73            | 66  | 58  | 54  | 48  | 46  | 41  | 70  | 65  | 57  | 54  | 48  | 46 | 40  | 55  | 52  | 47 | 45 | 40  | 45 | 44 | 40 | 38 |  |   |
|             | 1    | 82            | 73  | 67  | 63  | 58  | 55  | 49  | 79  | 72  | 66  | 62  | 57  | 54 | 49  | 63  | 60  | 55 | 53 | 48  | 54 | 52 | 48 | 45 |  |   |
|             | 1.25 | 90            | 80  | 77  | 71  | 68  | 63  | 58  | 87  | 78  | 75  | 70  | 66  | 63 | 57  | 72  | 68  | 64 | 62 | 57  | 62 | 61 | 56 | 54 |  |   |
|             | 1.5  | 96            | 84  | 83  | 75  | 74  | 69  | 63  | 92  | 83  | 81  | 74  | 73  | 68 | 63  | 77  | 72  | 70 | 67 | 62  | 68 | 65 | 61 | 59 |  |   |
|             | 2    | 104           | 90  | 93  | 83  | 84  | 77  | 72  | 100 | 88  | 90  | 82  | 82  | 76 | 71  | 85  | 79  | 79 | 75 | 70  | 76 | 73 | 70 | 67 |  |   |
|             | 2.5  | 109           | 94  | 100 | 88  | 92  | 83  | 78  | 105 | 92  | 97  | 87  | 90  | 82 | 78  | 91  | 84  | 86 | 80 | 77  | 82 | 79 | 76 | 73 |  |   |
|             | 3    | 112           | 96  | 104 | 91  | 97  | 87  | 83  | 108 | 95  | 101 | 90  | 95  | 86 | 82  | 95  | 88  | 90 | 84 | 81  | 86 | 82 | 79 | 77 |  |   |
|             | 4    | 117           | 99  | 110 | 95  | 104 | 92  | 88  | 113 | 98  | 107 | 94  | 101 | 91 | 88  | 100 | 92  | 96 | 89 | 86  | 91 | 87 | 85 | 82 |  |   |
| 5           | 120  | 101           | 114 | 98  | 109 | 95  | 92  | 115 | 100 | 110 | 97  | 106 | 94  | 91 | 103 | 94  | 100 | 92 | 90 | 95  | 90 | 88 | 85 |    |  |   |
| 7           | 123  | 103           | 119 | 101 | 115 | 99  | 97  | 118 | 102 | 115 | 100 | 111 | 98  | 96 | 107 | 97  | 105 | 95 | 94 | 99  | 93 | 92 | 89 |    |  |   |
| 10          | 125  | 105           | 122 | 103 | 120 | 102 | 100 | 121 | 104 | 118 | 102 | 115 | 100 | 99 | 110 | 99  | 108 | 98 | 97 | 102 | 96 | 95 | 92 |    |  |   |

## 配光曲線



## 直射水平面照度

