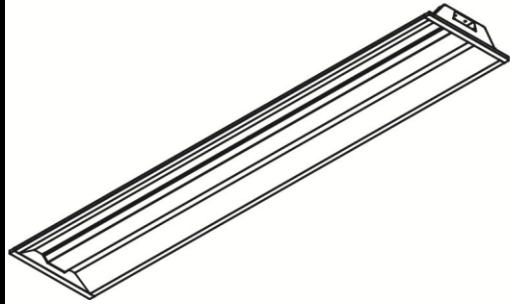


# ECOHiLUX照明器具 配光データシート

## 意匠図

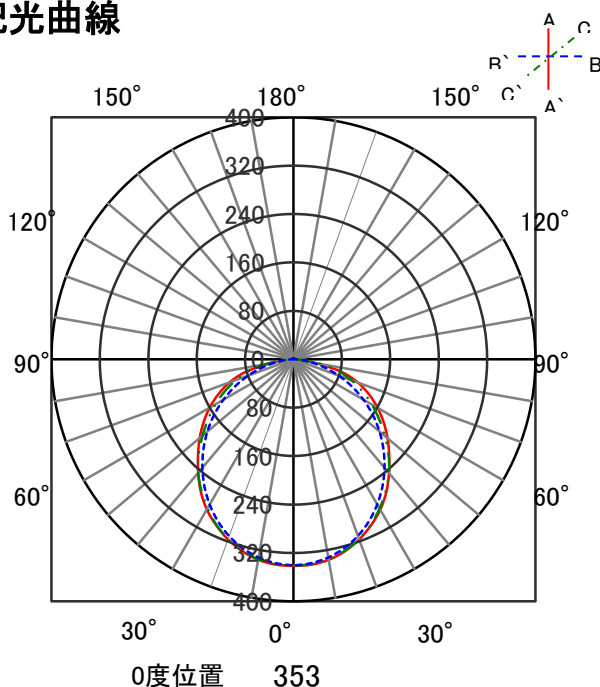
|       |                       |      |      |
|-------|-----------------------|------|------|
| 品名    | ラインルクス                | 保守率  |      |
| セット品番 | LX190F-35WW-UK40-W240 | 良    | 0.81 |
| 器具品名  | 埋込型                   | 中    | 0.77 |
| 器具品番  | LXBF-UK40-W240        | 否    | 0.68 |
| 器具光束  | 3570lm                | 器具効率 |      |
| 光源    | LXU190F-36WW-40S      | 上方向  | 0%   |
| 光源光束  | 3680lm                | 下方向  | 100% |
|       |                       | 全方向  | 100% |



## 照明率表

|             |      | 作業面照明率(×0.01) |     |     |     |     |     |     |     |     |     |     |     |    |     |     |     |    |    |     |    |    |    |    |
|-------------|------|---------------|-----|-----|-----|-----|-----|-----|-----|-----|-----|-----|-----|----|-----|-----|-----|----|----|-----|----|----|----|----|
| 反射率         | 天井   | 80            |     |     |     |     |     |     |     | 70  |     |     |     | 50 |     |     |     | 30 |    |     |    | 0  |    |    |
|             |      | 壁             | 70  |     | 50  |     | 30  |     | 10  | 70  |     | 50  |     | 30 |     | 10  | 50  |    | 30 |     | 10 | 30 | 10 | 0  |
|             | 床    | 30            | 10  | 30  | 10  | 30  | 10  | 10  | 30  | 10  | 30  | 10  | 30  | 10 | 10  | 30  | 10  | 30 | 10 | 10  | 30 | 10 | 10 | 0  |
| 室<br>指<br>数 | 0.4  | 45            | 43  | 32  | 31  | 25  | 24  | 20  | 44  | 42  | 32  | 30  | 24  | 24 | 20  | 31  | 30  | 24 | 24 | 19  | 24 | 23 | 19 | 18 |
|             | 0.6  | 63            | 58  | 48  | 46  | 39  | 38  | 33  | 61  | 56  | 47  | 45  | 39  | 38 | 33  | 46  | 44  | 38 | 37 | 33  | 38 | 37 | 33 | 31 |
|             | 0.8  | 73            | 66  | 58  | 54  | 48  | 46  | 41  | 71  | 65  | 57  | 54  | 48  | 46 | 41  | 55  | 52  | 47 | 45 | 40  | 46 | 45 | 40 | 38 |
|             | 1    | 82            | 73  | 67  | 62  | 57  | 55  | 49  | 79  | 72  | 66  | 62  | 57  | 54 | 48  | 63  | 60  | 55 | 53 | 48  | 54 | 52 | 48 | 46 |
|             | 1.25 | 90            | 80  | 77  | 70  | 67  | 63  | 57  | 87  | 78  | 75  | 69  | 66  | 62 | 57  | 72  | 68  | 64 | 61 | 56  | 62 | 60 | 56 | 54 |
|             | 1.5  | 95            | 84  | 82  | 75  | 73  | 68  | 62  | 92  | 82  | 80  | 74  | 72  | 67 | 62  | 77  | 72  | 69 | 66 | 61  | 67 | 65 | 61 | 58 |
|             | 2    | 103           | 90  | 92  | 82  | 83  | 76  | 71  | 99  | 88  | 89  | 81  | 82  | 75 | 70  | 85  | 79  | 78 | 74 | 70  | 76 | 73 | 69 | 66 |
|             | 2.5  | 108           | 94  | 99  | 87  | 91  | 82  | 77  | 105 | 92  | 96  | 86  | 89  | 81 | 77  | 91  | 84  | 85 | 80 | 76  | 82 | 78 | 75 | 72 |
|             | 3    | 112           | 96  | 103 | 90  | 96  | 86  | 81  | 108 | 94  | 100 | 89  | 94  | 85 | 81  | 95  | 87  | 89 | 83 | 80  | 86 | 82 | 79 | 76 |
|             | 4    | 116           | 99  | 109 | 95  | 103 | 91  | 87  | 112 | 98  | 106 | 94  | 101 | 90 | 87  | 100 | 91  | 95 | 88 | 85  | 91 | 87 | 84 | 82 |
| 5           | 119  | 101           | 113 | 97  | 108 | 94  | 91  | 115 | 100 | 110 | 96  | 105 | 93  | 91 | 103 | 94  | 100 | 92 | 89 | 94  | 90 | 88 | 85 |    |
| 7           | 123  | 103           | 118 | 101 | 114 | 98  | 96  | 118 | 102 | 114 | 99  | 111 | 97  | 95 | 107 | 97  | 104 | 95 | 93 | 99  | 93 | 92 | 89 |    |
| 10          | 125  | 105           | 122 | 103 | 119 | 101 | 100 | 121 | 103 | 118 | 102 | 115 | 100 | 99 | 110 | 100 | 108 | 98 | 97 | 102 | 96 | 95 | 92 |    |

## 配光曲線



## 直射水平面照度

