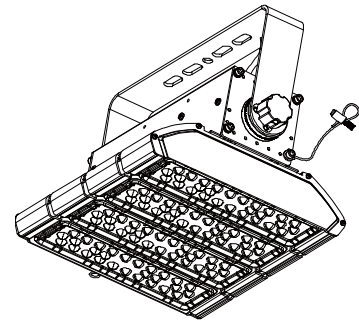


ECOHiLUX照明器具 配光データシート

意匠図

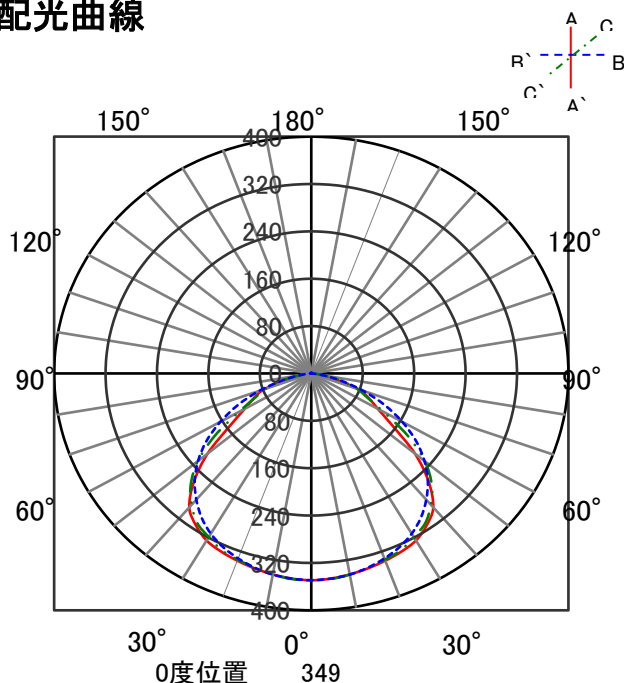
| | | | |
|------|-------------------------|------|------|
| 器具品名 | 高天井LED照明 | 保守率 | |
| 器具品番 | CL4M-240W-110-K40-R7-TC | 良 | - |
| 部品品名 | - | 中 | - |
| 部品品番 | - | 否 | - |
| 器具光束 | 35400lm | 器具効率 | |
| 光源 | LED | 上方向 | 0% |
| 光源光束 | 一体型器具のため、器具光束表示 | 下方向 | 99% |
| | | 全方向 | 100% |



照明率表

| | | 作業面照明率(×0.01) | | | | | | | | | | | | | | | | | | | | | | |
|-------------|------|---------------|-----|-----|-----|-----|-----|-----|-----|-----|-----|-----|-----|-----|-----|-----|-----|----|----|-----|----|----|----|----|
| 反射率 | 天井 | 80 | | | | 70 | | | | 50 | | | | 30 | | | | 0 | | | | | | |
| | | 壁 | 70 | 50 | 30 | 10 | 70 | 50 | 30 | 10 | 50 | 30 | 10 | 30 | 10 | 10 | 0 | | | | | | | |
| | 床 | 30 | 10 | 30 | 10 | 30 | 10 | 10 | 30 | 10 | 30 | 10 | 10 | 30 | 10 | 30 | 10 | 10 | 30 | 10 | 10 | 0 | | |
| 室 指 数 | 0.4 | 46 | 43 | 33 | 32 | 25 | 25 | 20 | 45 | 42 | 32 | 31 | 25 | 25 | 20 | 31 | 30 | 25 | 24 | 20 | 24 | 24 | 20 | 18 |
| | 0.6 | 64 | 59 | 50 | 47 | 41 | 40 | 35 | 62 | 58 | 49 | 47 | 41 | 40 | 35 | 47 | 46 | 40 | 39 | 34 | 39 | 39 | 34 | 32 |
| | 0.8 | 75 | 68 | 60 | 56 | 51 | 49 | 43 | 72 | 66 | 59 | 56 | 50 | 48 | 43 | 57 | 54 | 49 | 48 | 43 | 48 | 47 | 42 | 40 |
| | 1 | 84 | 75 | 70 | 65 | 60 | 57 | 52 | 81 | 74 | 68 | 64 | 60 | 57 | 51 | 66 | 62 | 58 | 56 | 51 | 57 | 55 | 51 | 48 |
| | 1.25 | 92 | 82 | 79 | 73 | 70 | 66 | 61 | 89 | 80 | 78 | 72 | 69 | 65 | 60 | 74 | 70 | 67 | 64 | 60 | 65 | 63 | 59 | 57 |
| | 1.5 | 97 | 86 | 85 | 78 | 76 | 71 | 66 | 94 | 84 | 83 | 76 | 75 | 70 | 65 | 80 | 75 | 73 | 69 | 65 | 70 | 68 | 64 | 62 |
| | 2 | 105 | 91 | 95 | 85 | 86 | 79 | 74 | 101 | 90 | 92 | 84 | 85 | 78 | 74 | 88 | 81 | 81 | 77 | 73 | 78 | 76 | 72 | 70 |
| | 2.5 | 110 | 95 | 101 | 89 | 94 | 85 | 80 | 106 | 94 | 98 | 88 | 92 | 84 | 80 | 93 | 86 | 88 | 82 | 79 | 84 | 81 | 78 | 75 |
| | 3 | 114 | 97 | 106 | 92 | 99 | 88 | 84 | 110 | 96 | 102 | 91 | 96 | 87 | 84 | 97 | 89 | 92 | 86 | 83 | 88 | 84 | 81 | 79 |
| | 4 | 118 | 100 | 111 | 96 | 106 | 93 | 90 | 114 | 99 | 108 | 95 | 103 | 92 | 89 | 102 | 93 | 98 | 90 | 88 | 93 | 88 | 86 | 84 |
| 5 | 121 | 102 | 115 | 99 | 110 | 96 | 93 | 116 | 101 | 111 | 98 | 107 | 95 | 92 | 105 | 95 | 101 | 93 | 91 | 96 | 91 | 89 | 87 | |
| 7 | 124 | 104 | 119 | 102 | 116 | 99 | 97 | 119 | 103 | 115 | 100 | 112 | 98 | 96 | 108 | 98 | 106 | 96 | 95 | 100 | 94 | 93 | 90 | |
| 10 | 126 | 105 | 123 | 104 | 120 | 102 | 101 | 121 | 104 | 119 | 102 | 116 | 101 | 100 | 111 | 100 | 109 | 99 | 98 | 102 | 97 | 96 | 93 | |

配光曲線



直射水平面照度

