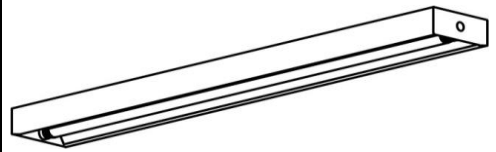


ECOHiLUX照明器具 配光データシート

意匠図

| | | | | | |
|------|-------------------------|--------|--|------|------|
| 器具品名 | 直管用専用器具 直付下面開放型40形1灯 | | | 保守率 | |
| 器具品番 | IRLDL41CL-K | | | 良 | 0.69 |
| 部品品名 | 直管LEDランプ HE190S | | | 中 | 0.67 |
| 部品品番 | LDG32T-W/14/24/19SL | | | 否 | 0.63 |
| 器具光束 | 2352lm | 最大取付間隔 | | 器具効率 | |
| 光源 | LED | AA | | 上方向 | 0% |
| 光源光束 | 2400lm | BB | | 下方向 | 98% |
| | | | | 全方向 | 98% |

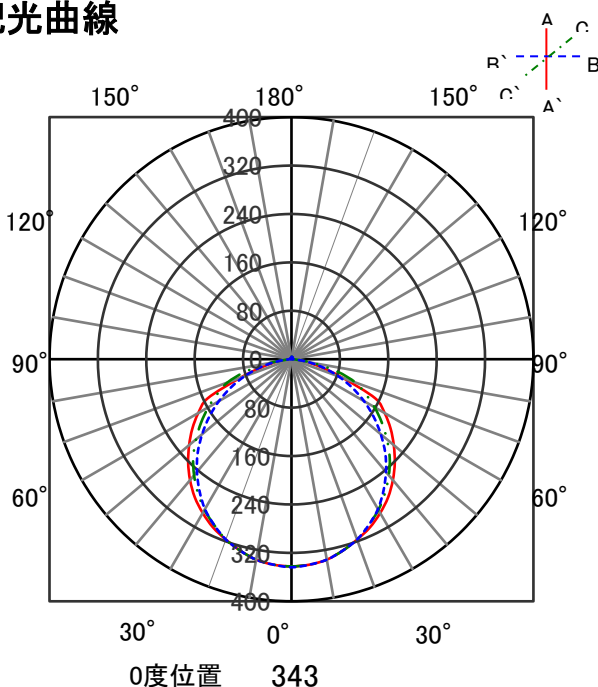


照明率表

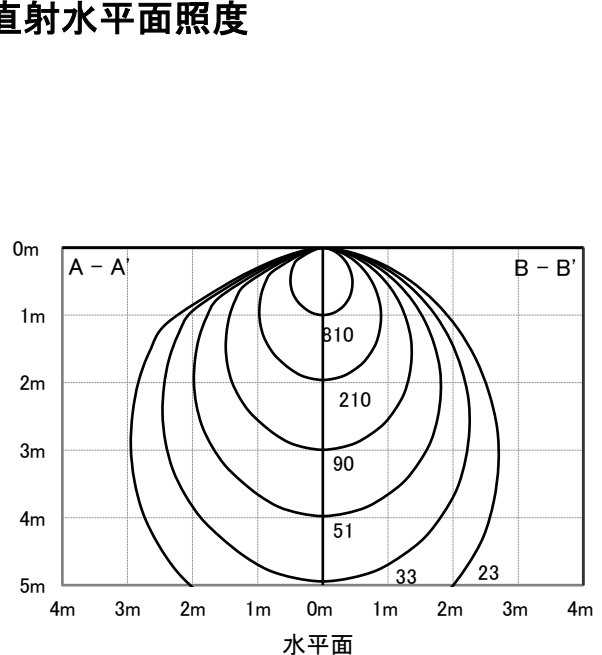
作業面照明率(×0.01)

| 反天 %射 率 | 80 | | | | | | | | 70 | | | | | | | | 50 | | | | 30 | | | | 0 | |
|---------------|-----|-----|-----|-----|-----|-----|-----|-----|-----|-----|-----|-----|-----|----|-----|----|-----|----|----|-----|----|----|----|--|---|--|
| | 壁 | 70 | 50 | 30 | 10 | 70 | 50 | 30 | 10 | 70 | 50 | 30 | 10 | 50 | 30 | 10 | 30 | 10 | 10 | 30 | 10 | 0 | 0 | | | |
| 床 | 30 | 10 | 30 | 10 | 30 | 10 | 30 | 10 | 30 | 10 | 30 | 10 | 30 | 10 | 30 | 10 | 30 | 10 | 30 | 10 | 30 | 10 | 0 | | | |
| 0.4 | 45 | 42 | 32 | 31 | 24 | 24 | 19 | 44 | 41 | 31 | 30 | 24 | 24 | 19 | 30 | 29 | 24 | 23 | 19 | 23 | 23 | 19 | 17 | | | |
| 0.6 | 62 | 57 | 48 | 45 | 39 | 38 | 33 | 61 | 56 | 47 | 45 | 39 | 38 | 32 | 45 | 44 | 38 | 37 | 32 | 37 | 36 | 32 | 30 | | | |
| 0.8 | 73 | 66 | 58 | 54 | 48 | 46 | 40 | 70 | 64 | 57 | 53 | 48 | 46 | 40 | 54 | 52 | 46 | 45 | 40 | 45 | 44 | 40 | 37 | | | |
| 1 | 81 | 73 | 67 | 62 | 57 | 54 | 49 | 79 | 72 | 66 | 61 | 57 | 54 | 48 | 63 | 60 | 55 | 53 | 48 | 53 | 52 | 47 | 45 | | | |
| 1.3 | 90 | 80 | 77 | 70 | 67 | 63 | 57 | 87 | 78 | 75 | 69 | 66 | 62 | 57 | 71 | 67 | 64 | 61 | 56 | 62 | 60 | 56 | 53 | | | |
| 1.5 | 95 | 84 | 83 | 75 | 73 | 68 | 62 | 92 | 82 | 81 | 74 | 72 | 67 | 62 | 77 | 72 | 69 | 66 | 61 | 67 | 65 | 61 | 58 | | | |
| 2 | 103 | 90 | 92 | 82 | 83 | 76 | 71 | 99 | 88 | 90 | 81 | 82 | 75 | 71 | 85 | 79 | 78 | 74 | 70 | 75 | 72 | 69 | 66 | | | |
| 2.5 | 109 | 94 | 99 | 87 | 91 | 82 | 78 | 105 | 92 | 96 | 86 | 89 | 81 | 77 | 91 | 84 | 85 | 80 | 76 | 81 | 78 | 75 | 72 | | | |
| 3 | 112 | 96 | 104 | 91 | 96 | 86 | 82 | 108 | 94 | 100 | 89 | 94 | 85 | 81 | 95 | 87 | 89 | 83 | 80 | 85 | 82 | 79 | 76 | | | |
| 4 | 117 | 99 | 110 | 95 | 104 | 91 | 88 | 112 | 98 | 106 | 94 | 101 | 90 | 87 | 100 | 91 | 95 | 88 | 86 | 91 | 86 | 84 | 81 | | | |
| 5 | 120 | 101 | 114 | 98 | 109 | 95 | 92 | 115 | 100 | 110 | 96 | 105 | 94 | 91 | 103 | 94 | 100 | 92 | 89 | 94 | 90 | 88 | 85 | | | |
| 7 | 123 | 103 | 119 | 101 | 115 | 99 | 96 | 118 | 102 | 114 | 100 | 111 | 97 | 95 | 107 | 97 | 104 | 95 | 93 | 98 | 93 | 92 | 89 | | | |
| 10 | 125 | 105 | 122 | 103 | 119 | 102 | 100 | 121 | 104 | 118 | 102 | 115 | 100 | 99 | 110 | 99 | 108 | 98 | 97 | 101 | 96 | 95 | 92 | | | |

配光曲線



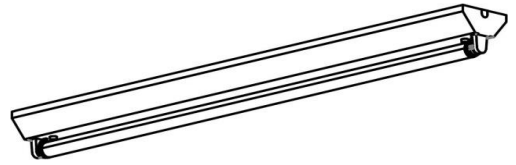
直射水平面照度



ECOHiLUX照明器具 配光データシート

意匠図

| | | | | | |
|------|----------------------|--------|--|-----|------|
| 器具品名 | 直管用専用器具 逆富士型40形1灯 | | | 保守率 | |
| 器具品番 | IRLDL41FJ-K | | | 良 | 0.69 |
| 部品品名 | 直管LEDランプ HE190S | | | 中 | 0.67 |
| 部品品番 | LDG32T-W/14/24/19SL | | | 否 | 0.63 |
| 器具光束 | 2208lm | 最大取付間隔 | | 上方向 | 8% |
| 光源 | LED | AA | | 下方向 | 84% |
| 光源光束 | 2400lm | BB | | 全方向 | 92% |

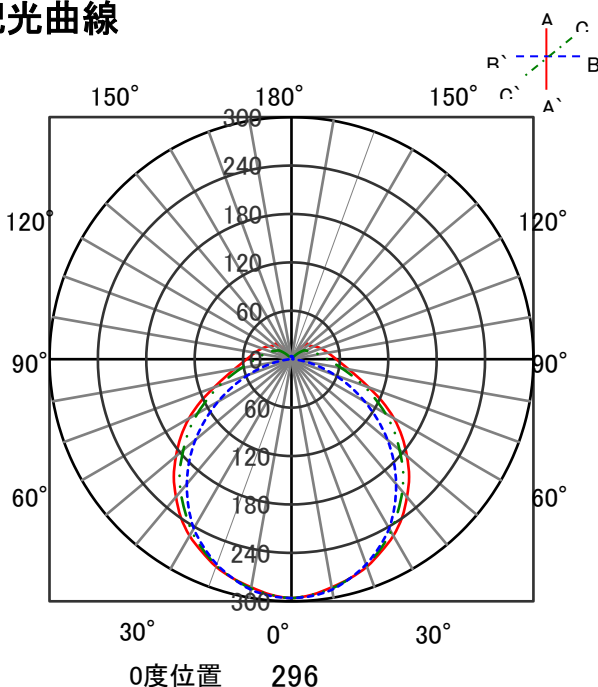


照明率表

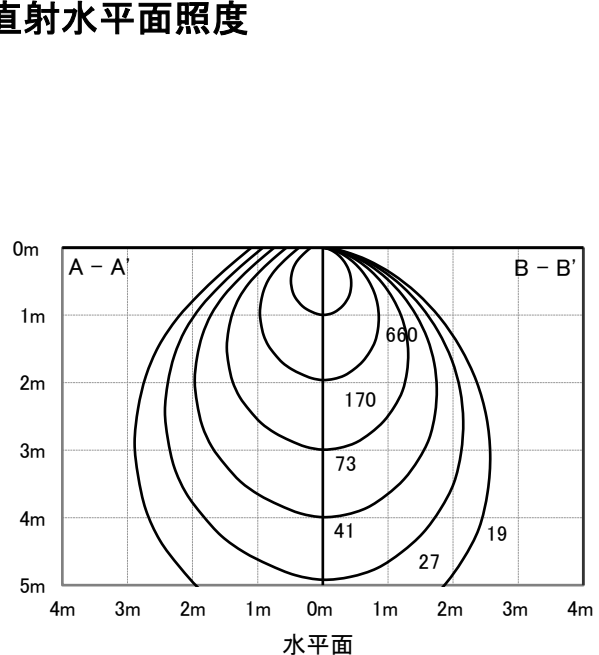
作業面照明率(×0.01)

| 反天井 %射率 | 80 | | | | | | | | 70 | | | | | | | | 50 | | | | 30 | | 0 | |
|-------------|-----|-----|-----|-----|-----|----|----|-----|-----|-----|-----|-----|----|----|-----|----|-----|----|----|----|----|----|----|----|
| | 壁 | 70 | 50 | 30 | 10 | 70 | 50 | 30 | 10 | 70 | 50 | 30 | 10 | 50 | 30 | 10 | 30 | 10 | 0 | 0 | | | | |
| 床 | 30 | 10 | 30 | 10 | 30 | 10 | 10 | 30 | 10 | 30 | 10 | 30 | 10 | 10 | 30 | 10 | 30 | 10 | 10 | 30 | 10 | 0 | 0 | |
| 室 指 数 | 0.4 | 44 | 41 | 31 | 29 | 23 | 23 | 18 | 42 | 40 | 30 | 29 | 23 | 22 | 18 | 28 | 27 | 22 | 21 | 17 | 21 | 21 | 17 | 15 |
| | 0.6 | 60 | 55 | 46 | 43 | 37 | 36 | 30 | 58 | 53 | 44 | 42 | 36 | 35 | 30 | 42 | 40 | 35 | 34 | 29 | 33 | 33 | 28 | 26 |
| | 0.8 | 70 | 64 | 55 | 52 | 45 | 44 | 38 | 67 | 61 | 53 | 50 | 44 | 43 | 37 | 50 | 48 | 42 | 41 | 36 | 40 | 40 | 35 | 32 |
| | 1 | 78 | 70 | 64 | 59 | 54 | 51 | 45 | 75 | 68 | 62 | 58 | 53 | 50 | 45 | 58 | 55 | 50 | 48 | 43 | 48 | 46 | 42 | 38 |
| | 1.3 | 86 | 77 | 73 | 67 | 63 | 59 | 53 | 82 | 74 | 70 | 65 | 61 | 58 | 52 | 65 | 62 | 58 | 56 | 51 | 55 | 53 | 49 | 45 |
| | 1.5 | 91 | 81 | 78 | 71 | 69 | 64 | 58 | 87 | 78 | 76 | 69 | 67 | 63 | 57 | 70 | 66 | 63 | 60 | 55 | 60 | 58 | 53 | 49 |
| | 2 | 99 | 86 | 87 | 78 | 78 | 72 | 66 | 94 | 83 | 84 | 76 | 76 | 70 | 65 | 78 | 72 | 71 | 67 | 63 | 67 | 64 | 61 | 56 |
| | 2.5 | 104 | 90 | 94 | 83 | 86 | 77 | 72 | 99 | 87 | 90 | 81 | 83 | 76 | 71 | 83 | 77 | 77 | 73 | 69 | 72 | 69 | 66 | 61 |
| | 3 | 108 | 92 | 98 | 86 | 91 | 81 | 76 | 102 | 90 | 94 | 84 | 88 | 79 | 75 | 87 | 80 | 81 | 76 | 72 | 76 | 73 | 70 | 65 |
| | 4 | 112 | 95 | 105 | 91 | 98 | 86 | 82 | 107 | 93 | 100 | 88 | 94 | 84 | 81 | 92 | 84 | 87 | 81 | 78 | 81 | 77 | 75 | 69 |
| 5 | 115 | 97 | 109 | 93 | 103 | 90 | 86 | 109 | 95 | 104 | 91 | 99 | 88 | 84 | 95 | 87 | 91 | 84 | 81 | 84 | 80 | 78 | 72 | |
| 7 | 119 | 100 | 114 | 97 | 109 | 94 | 91 | 113 | 97 | 108 | 94 | 104 | 92 | 89 | 99 | 90 | 96 | 88 | 85 | 88 | 84 | 82 | 76 | |
| 10 | 121 | 102 | 118 | 99 | 114 | 97 | 95 | 115 | 99 | 112 | 97 | 109 | 95 | 93 | 102 | 92 | 100 | 91 | 89 | 92 | 87 | 85 | 79 | |

配光曲線



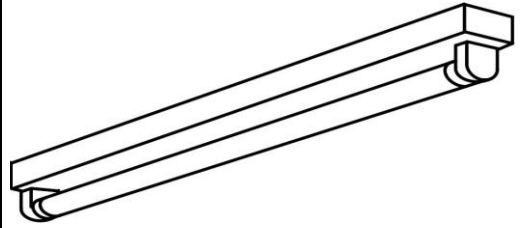
直射水平面照度



ECOHiLUX照明器具 配光データシート

意匠図

| | | | | | |
|------|----------------------|--------|--|------|------|
| 器具品名 | 直管用専用器具 トラフ型40形1灯 | | | 保守率 | |
| 器具品番 | IRLDLFL41TR-K | | | 良 | 0.69 |
| 部品品名 | 直管LEDランプ° HE190S | | | 中 | 0.67 |
| 部品品番 | LDG32T-W/14/24/19SL | | | 否 | 0.63 |
| 器具光束 | 2208lm | 最大取付間隔 | | 器具効率 | |
| 光源 | LED | AA | | 上方向 | 8% |
| 光源光束 | 2400lm | BB | | 下方向 | 84% |
| | | | | 全方向 | 92% |

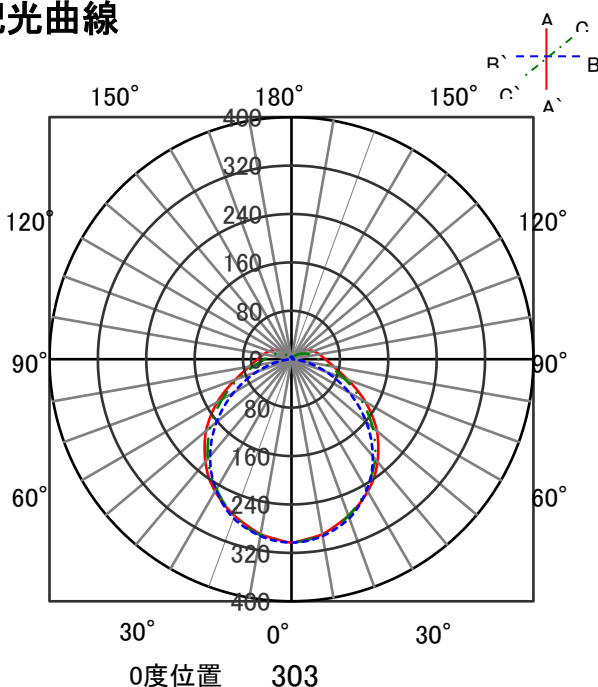


照明率表

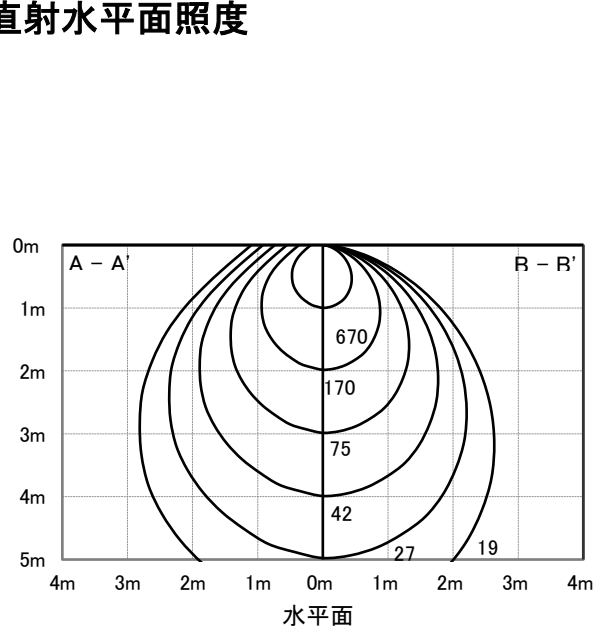
作業面照明率(×0.01)

| 反(射率) | 天井 | 80 | | | | | | | | 70 | | | | | | | | 50 | | | | 30 | | 0 | |
|-------------|------|-----|-----|-----|-----|----|----|-----|-----|-----|-----|-----|----|----|-----|----|-----|----|----|----|----|----|----|----|--|
| | | 壁 | 70 | 50 | 30 | 10 | 70 | 50 | 30 | 10 | 70 | 50 | 30 | 10 | 50 | 30 | 10 | 30 | 10 | 0 | 0 | | | | |
| 床 | 30 | 10 | 30 | 10 | 30 | 10 | 10 | 30 | 10 | 30 | 10 | 30 | 10 | 10 | 30 | 10 | 30 | 10 | 10 | 30 | 10 | 10 | 0 | 0 | |
| 室 指 数 | 0.4 | 44 | 41 | 31 | 30 | 23 | 23 | 18 | 42 | 40 | 30 | 29 | 23 | 22 | 18 | 28 | 28 | 22 | 22 | 18 | 21 | 21 | 17 | 15 | |
| | 0.6 | 60 | 55 | 46 | 44 | 37 | 36 | 31 | 58 | 54 | 45 | 42 | 36 | 35 | 30 | 42 | 40 | 35 | 34 | 29 | 33 | 33 | 29 | 26 | |
| | 0.8 | 70 | 64 | 55 | 52 | 46 | 44 | 38 | 67 | 62 | 54 | 51 | 45 | 43 | 38 | 50 | 48 | 43 | 41 | 36 | 41 | 40 | 35 | 32 | |
| | 1 | 78 | 70 | 64 | 59 | 54 | 51 | 45 | 75 | 68 | 62 | 58 | 53 | 50 | 45 | 58 | 55 | 50 | 49 | 44 | 48 | 47 | 42 | 39 | |
| | 1.25 | 86 | 77 | 73 | 67 | 63 | 59 | 53 | 83 | 74 | 70 | 65 | 62 | 58 | 53 | 66 | 62 | 58 | 56 | 51 | 55 | 54 | 50 | 46 | |
| | 1.5 | 92 | 81 | 79 | 71 | 69 | 64 | 58 | 87 | 78 | 76 | 70 | 67 | 63 | 57 | 71 | 66 | 63 | 60 | 56 | 60 | 58 | 54 | 50 | |
| | 2 | 99 | 86 | 88 | 78 | 79 | 72 | 66 | 94 | 84 | 84 | 76 | 76 | 70 | 65 | 78 | 73 | 72 | 68 | 63 | 67 | 65 | 61 | 57 | |
| | 2.5 | 104 | 90 | 94 | 83 | 86 | 78 | 73 | 99 | 87 | 90 | 81 | 83 | 76 | 71 | 84 | 77 | 78 | 73 | 69 | 73 | 70 | 66 | 62 | |
| | 3 | 108 | 92 | 99 | 86 | 91 | 81 | 77 | 103 | 90 | 95 | 84 | 88 | 80 | 75 | 87 | 80 | 82 | 76 | 73 | 76 | 73 | 70 | 65 | |
| | 4 | 112 | 96 | 105 | 91 | 98 | 86 | 82 | 107 | 93 | 100 | 89 | 94 | 85 | 81 | 92 | 84 | 88 | 81 | 78 | 81 | 77 | 75 | 70 | |
| 5 | 115 | 98 | 109 | 93 | 103 | 90 | 86 | 110 | 95 | 104 | 91 | 99 | 88 | 85 | 95 | 87 | 91 | 84 | 81 | 85 | 80 | 78 | 73 | | |
| 7 | 119 | 100 | 114 | 97 | 109 | 94 | 91 | 113 | 97 | 109 | 94 | 105 | 92 | 89 | 99 | 90 | 96 | 88 | 86 | 89 | 84 | 82 | 77 | | |
| 10 | 121 | 102 | 118 | 99 | 114 | 97 | 95 | 115 | 99 | 112 | 97 | 109 | 95 | 93 | 102 | 93 | 100 | 91 | 89 | 92 | 87 | 86 | 80 | | |

配光曲線



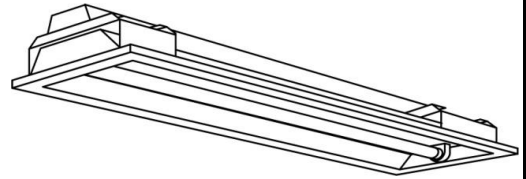
直射水平面照度



ECOHiLUX照明器具 配光データシート

意匠図

| | | | | | |
|------|-------------------------|--------|--|------|------|
| 器具品名 | 直管用専用器具 直付下面開放型40形1灯 | | | 保守率 | |
| 器具品番 | IRLDLFL41UK-K | | | 良 | 0.69 |
| 部品品名 | 直管LEDランプ° HE190S | | | 中 | 0.67 |
| 部品品番 | LDG32T-W/14/24/19SL | | | 否 | 0.63 |
| 器具光束 | 2383lm | 最大取付間隔 | | 器具効率 | |
| 光源 | - | AA | | 上方向 | 0% |
| 光源光束 | 2400lm | BB | | 下方向 | 99% |
| | | | | 全方向 | 99% |

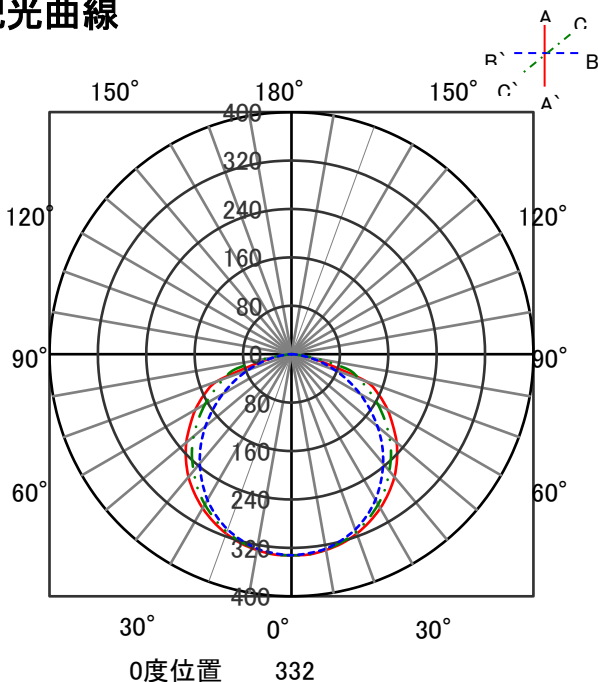


照明率表

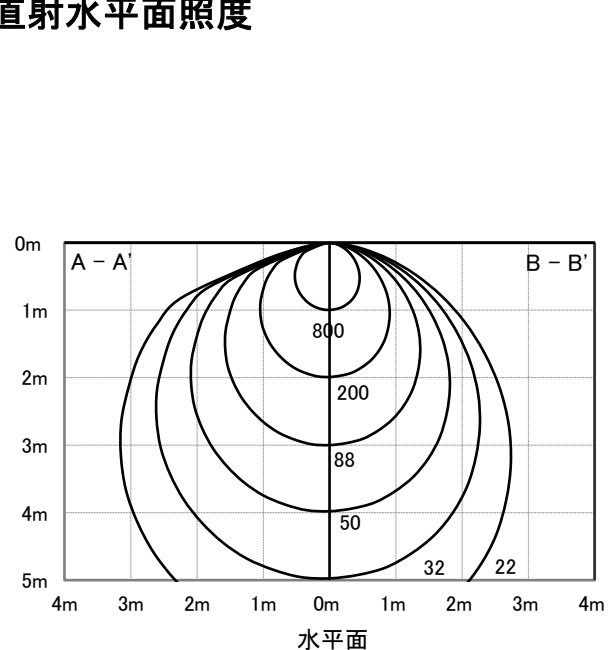
作業面照明率(×0.01)

| 反 射 率 | 天井 | 80 | | | | | | | | 70 | | | | | | | | 50 | | | | 30 | | | | 0 | |
|-------------|----|-----|-----|-----|-----|-----|-----|-----|-----|-----|-----|-----|-----|-----|----|-----|-----|-----|----|----|-----|----|----|----|--|---|--|
| | | 70 | 50 | 30 | 10 | 70 | 50 | 30 | 10 | 50 | 30 | 10 | 30 | 10 | 30 | 10 | 30 | 10 | 30 | 10 | 0 | 0 | | | | | |
| 0.4 | 壁 | 45 | 42 | 31 | 30 | 24 | 23 | 19 | 44 | 41 | 31 | 30 | 24 | 23 | 19 | 30 | 29 | 23 | 23 | 19 | 23 | 23 | 19 | 17 | | | |
| 0.6 | 壁 | 62 | 57 | 47 | 45 | 38 | 37 | 32 | 60 | 56 | 47 | 44 | 38 | 37 | 32 | 45 | 43 | 37 | 37 | 32 | 37 | 36 | 32 | 30 | | | |
| 0.8 | 壁 | 72 | 66 | 57 | 54 | 48 | 46 | 40 | 70 | 64 | 56 | 53 | 47 | 45 | 40 | 54 | 52 | 46 | 45 | 39 | 45 | 44 | 39 | 37 | | | |
| 1 | 壁 | 81 | 73 | 67 | 62 | 57 | 54 | 48 | 78 | 71 | 65 | 61 | 56 | 53 | 48 | 63 | 59 | 55 | 53 | 47 | 53 | 52 | 47 | 45 | | | |
| 1.3 | 壁 | 90 | 80 | 76 | 70 | 66 | 62 | 56 | 87 | 78 | 74 | 69 | 65 | 62 | 56 | 71 | 67 | 63 | 61 | 56 | 62 | 60 | 55 | 53 | | | |
| 1.5 | 壁 | 95 | 84 | 82 | 75 | 73 | 67 | 62 | 92 | 82 | 80 | 74 | 71 | 67 | 61 | 76 | 72 | 69 | 66 | 61 | 67 | 65 | 60 | 58 | | | |
| 2 | 壁 | 103 | 90 | 92 | 82 | 83 | 76 | 71 | 99 | 88 | 89 | 81 | 81 | 75 | 70 | 85 | 79 | 78 | 74 | 69 | 75 | 72 | 69 | 66 | | | |
| 2.5 | 壁 | 108 | 94 | 99 | 87 | 91 | 82 | 77 | 105 | 92 | 96 | 86 | 89 | 81 | 77 | 91 | 84 | 85 | 80 | 76 | 82 | 78 | 75 | 72 | | | |
| 3 | 壁 | 112 | 96 | 103 | 91 | 96 | 86 | 81 | 108 | 94 | 100 | 89 | 94 | 85 | 81 | 95 | 87 | 89 | 83 | 80 | 86 | 82 | 79 | 76 | | | |
| 4 | 壁 | 117 | 99 | 110 | 95 | 104 | 91 | 88 | 112 | 98 | 106 | 94 | 101 | 90 | 87 | 100 | 92 | 96 | 88 | 86 | 91 | 87 | 84 | 82 | | | |
| 5 | 壁 | 120 | 101 | 114 | 98 | 109 | 95 | 92 | 115 | 100 | 110 | 97 | 105 | 94 | 91 | 103 | 94 | 100 | 92 | 89 | 95 | 90 | 88 | 85 | | | |
| 7 | 壁 | 123 | 103 | 119 | 101 | 115 | 99 | 96 | 119 | 102 | 115 | 100 | 111 | 98 | 95 | 107 | 98 | 105 | 96 | 94 | 99 | 94 | 92 | 89 | | | |
| 10 | 壁 | 126 | 105 | 123 | 103 | 120 | 102 | 100 | 121 | 104 | 118 | 102 | 116 | 101 | 99 | 111 | 100 | 109 | 99 | 97 | 102 | 97 | 96 | 93 | | | |
| | 床 | 30 | 10 | 30 | 10 | 30 | 10 | 10 | 30 | 10 | 30 | 10 | 30 | 10 | 10 | 30 | 10 | 30 | 10 | 10 | 30 | 10 | 10 | 0 | | | |

配光曲線



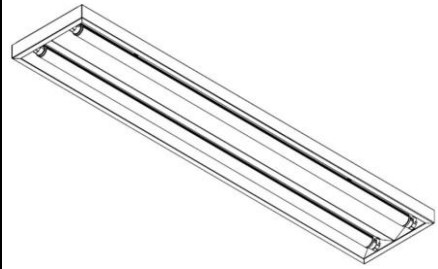
直射水平面照度



ECOHiLUX照明器具 配光データシート

意匠図

| | | | | | |
|------|-------------------------|--------|--|------|------|
| 器具品名 | 直管用専用器具 直付下面開放型40形2灯 | | | 保守率 | |
| 器具品番 | IRLDLFL42CL-K | | | 良 | 0.69 |
| 部品品名 | 直管LEDランプ° HE190S | | | 中 | 0.67 |
| 部品品番 | LDG32T-W/14/24/19SL | | | 否 | 0.63 |
| 器具光束 | 4493lm | 最大取付間隔 | | 器具効率 | |
| 光源 | LED | AA | | 上方向 | 0% |
| 光源光束 | 2400lm × 2 | BB | | 下方向 | 94% |
| | | | | 全方向 | 94% |

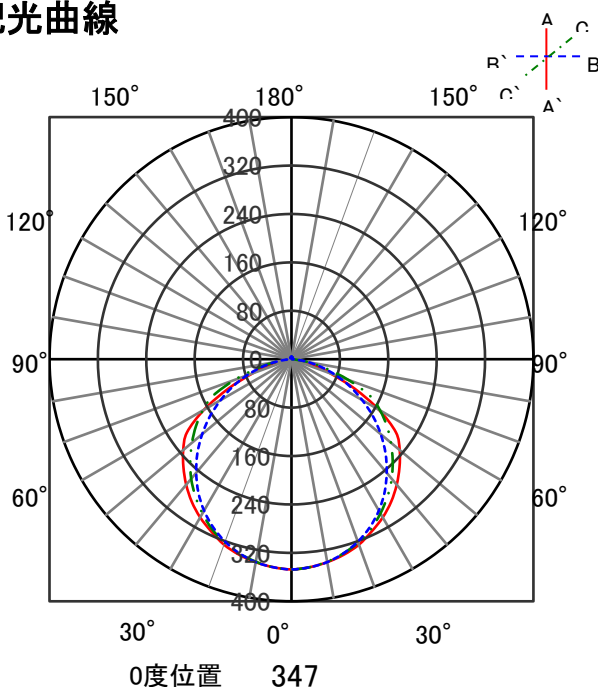


照明率表

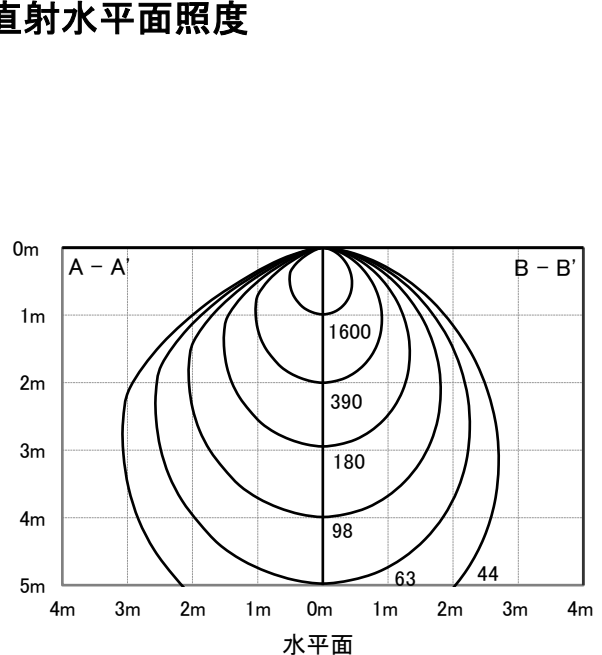
作業面照明率(×0.01)

| 反(天井) | 80 | | | | | | | | 70 | | | | | | | | 50 | | | | 30 | | | | 0 | | | | |
|-------------|-----|-----|-----|-----|-----|-----|-----|-----|-----|-----|-----|-----|-----|----|-----|-----|-----|----|----|-----|----|----|----|----|----|----|----|----|---|
| | 壁 | 70 | | 50 | | 30 | | 10 | | 70 | | 50 | | 30 | | 10 | | 50 | | 30 | | 10 | | 30 | | 10 | | 0 | |
| 床 | 30 | 10 | 30 | 10 | 30 | 10 | 30 | 10 | 30 | 10 | 30 | 10 | 30 | 10 | 30 | 10 | 30 | 10 | 30 | 10 | 30 | 10 | 30 | 10 | 30 | 10 | 30 | 10 | 0 |
| 室 指 数 | 0.4 | 45 | 42 | 32 | 31 | 24 | 24 | 19 | 44 | 41 | 31 | 30 | 24 | 24 | 19 | 30 | 29 | 24 | 23 | 19 | 23 | 23 | 19 | 17 | | | | | |
| | 0.6 | 63 | 58 | 48 | 46 | 39 | 38 | 33 | 61 | 56 | 47 | 45 | 39 | 38 | 33 | 46 | 44 | 38 | 37 | 33 | 37 | 37 | 32 | 30 | | | | | |
| | 0.8 | 73 | 66 | 58 | 55 | 49 | 47 | 41 | 71 | 65 | 57 | 54 | 48 | 46 | 41 | 55 | 52 | 47 | 46 | 41 | 46 | 45 | 40 | 38 | | | | | |
| | 1 | 82 | 74 | 68 | 63 | 58 | 55 | 49 | 79 | 72 | 66 | 62 | 57 | 55 | 49 | 64 | 60 | 56 | 54 | 49 | 54 | 53 | 48 | 46 | | | | | |
| | 1.3 | 91 | 80 | 77 | 71 | 68 | 64 | 58 | 88 | 79 | 76 | 70 | 67 | 63 | 58 | 72 | 68 | 65 | 62 | 57 | 63 | 61 | 57 | 54 | | | | | |
| | 1.5 | 96 | 84 | 83 | 76 | 74 | 69 | 63 | 93 | 83 | 81 | 75 | 73 | 68 | 63 | 77 | 73 | 70 | 67 | 62 | 68 | 66 | 62 | 59 | | | | | |
| | 2 | 104 | 90 | 93 | 83 | 84 | 77 | 72 | 100 | 89 | 90 | 82 | 83 | 76 | 72 | 86 | 80 | 79 | 75 | 71 | 76 | 73 | 70 | 67 | | | | | |
| | 2.5 | 109 | 94 | 100 | 88 | 92 | 83 | 79 | 105 | 92 | 97 | 87 | 90 | 82 | 78 | 91 | 85 | 86 | 80 | 77 | 82 | 79 | 76 | 73 | | | | | |
| | 3 | 112 | 96 | 104 | 91 | 97 | 87 | 83 | 108 | 95 | 101 | 90 | 95 | 86 | 82 | 95 | 88 | 90 | 84 | 81 | 86 | 82 | 80 | 77 | | | | | |
| | 4 | 117 | 100 | 110 | 95 | 104 | 92 | 88 | 113 | 98 | 107 | 94 | 101 | 91 | 88 | 100 | 92 | 96 | 89 | 86 | 91 | 87 | 85 | 82 | | | | | |
| 5 | 120 | 101 | 114 | 98 | 109 | 95 | 92 | 115 | 100 | 110 | 97 | 106 | 94 | 91 | 103 | 94 | 100 | 92 | 90 | 95 | 90 | 88 | 85 | | | | | | |
| 7 | 123 | 103 | 119 | 101 | 115 | 99 | 97 | 118 | 102 | 115 | 100 | 111 | 98 | 96 | 107 | 97 | 105 | 95 | 94 | 99 | 93 | 92 | 89 | | | | | | |
| 10 | 126 | 105 | 122 | 103 | 120 | 102 | 100 | 121 | 104 | 118 | 102 | 116 | 100 | 99 | 110 | 99 | 108 | 98 | 97 | 102 | 96 | 95 | 92 | | | | | | |

配光曲線



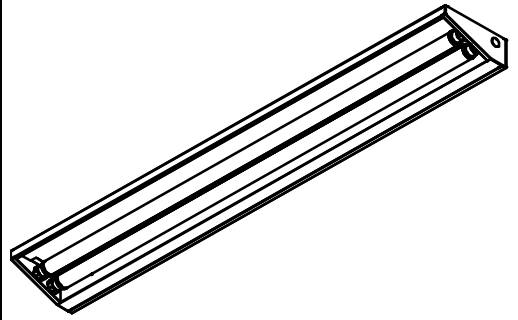
直射水平面照度



ECOHiLUX照明器具 配光データシート

意匠図

| | | | |
|------|----------------------------|------|------|
| 器具品名 | 直管用専用器具 ウォールウォッシャー型40形2 | 保守率 | |
| 器具品番 | IRLDL42CLWW-K | 良 | 0.69 |
| 部品品名 | - | 中 | 0.67 |
| 部品品番 | - | 否 | 0.63 |
| 器具光束 | 4376lm | 器具効率 | |
| 光源 | LDG32T・W/14/24/19SL | 上方向 | 2% |
| 光源光束 | 2400lm × 2 | 下方向 | 89% |
| | | 全方向 | 91% |

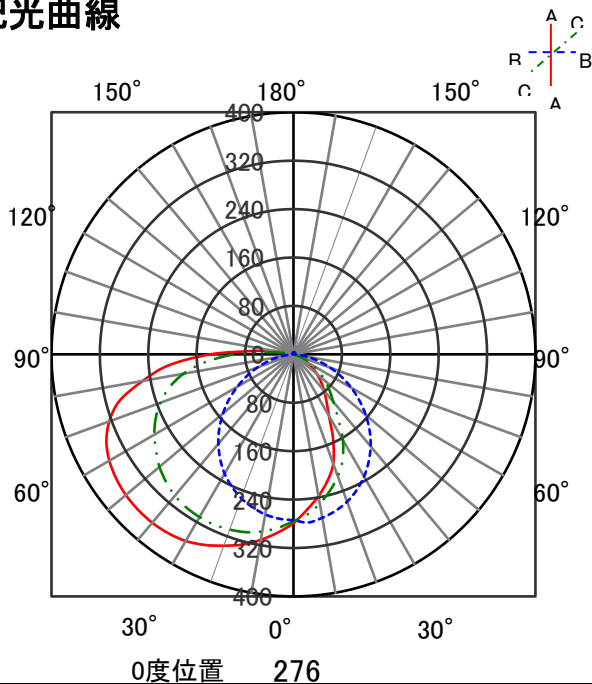


照明率表

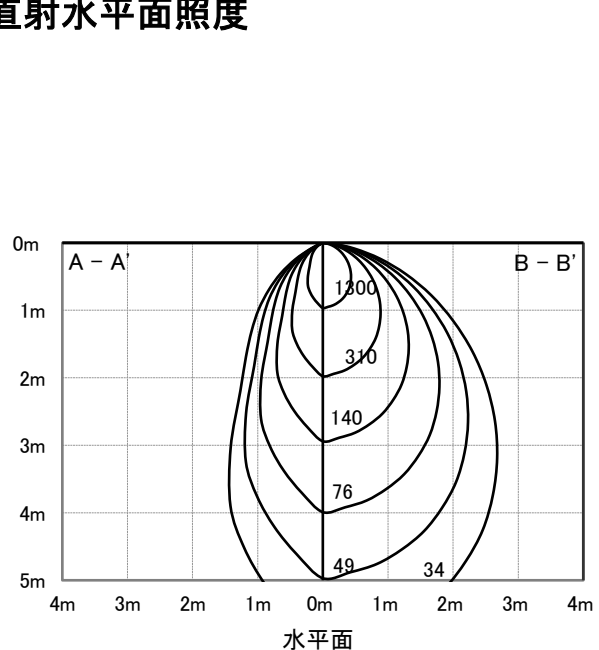
作業面照明率(×0.01)

| 反天井 %射率 | 80 | | | | | | | | 70 | | | | | | | | 50 | | | | 30 | | | | 0 | |
|------------|-----|-----|-----|-----|-----|----|----|-----|-----|-----|----|-----|----|----|-----|----|-----|----|----|----|----|----|----|----|---|--|
| | 壁 | 70 | 50 | 30 | 10 | 70 | 50 | 30 | 10 | 70 | 50 | 30 | 10 | 50 | 30 | 10 | 50 | 30 | 10 | 30 | 10 | 0 | 30 | 10 | 0 | |
| 0.4 | 43 | 40 | 29 | 28 | 22 | 21 | 17 | 42 | 39 | 29 | 28 | 21 | 21 | 16 | 27 | 27 | 21 | 20 | 16 | 20 | 20 | 16 | 14 | | | |
| 0.6 | 59 | 54 | 44 | 41 | 34 | 33 | 28 | 57 | 53 | 43 | 41 | 34 | 33 | 28 | 41 | 39 | 33 | 32 | 27 | 32 | 32 | 27 | 25 | | | |
| 0.8 | 69 | 62 | 53 | 50 | 43 | 41 | 35 | 66 | 61 | 52 | 49 | 42 | 41 | 35 | 49 | 47 | 41 | 40 | 34 | 39 | 39 | 34 | 31 | | | |
| 1 | 77 | 69 | 62 | 57 | 51 | 49 | 42 | 74 | 67 | 60 | 56 | 50 | 48 | 42 | 57 | 54 | 48 | 47 | 41 | 47 | 45 | 40 | 38 | | | |
| 1.3 | 85 | 76 | 71 | 65 | 60 | 56 | 50 | 82 | 74 | 69 | 63 | 59 | 56 | 49 | 65 | 61 | 57 | 54 | 49 | 54 | 53 | 48 | 45 | | | |
| 1.5 | 90 | 80 | 76 | 69 | 66 | 61 | 55 | 87 | 78 | 74 | 68 | 65 | 61 | 54 | 70 | 65 | 62 | 59 | 53 | 59 | 57 | 52 | 49 | | | |
| 2 | 98 | 86 | 86 | 77 | 76 | 69 | 63 | 94 | 83 | 83 | 75 | 74 | 68 | 63 | 78 | 72 | 71 | 67 | 61 | 67 | 65 | 60 | 57 | | | |
| 2.5 | 104 | 90 | 93 | 82 | 84 | 75 | 70 | 100 | 88 | 90 | 80 | 81 | 74 | 69 | 84 | 77 | 77 | 72 | 68 | 73 | 70 | 66 | 63 | | | |
| 3 | 108 | 92 | 98 | 85 | 89 | 80 | 74 | 103 | 90 | 94 | 84 | 86 | 78 | 73 | 88 | 81 | 82 | 76 | 72 | 77 | 74 | 70 | 67 | | | |
| 4 | 113 | 96 | 104 | 90 | 97 | 85 | 81 | 108 | 94 | 100 | 89 | 94 | 84 | 80 | 93 | 85 | 88 | 81 | 78 | 83 | 79 | 76 | 72 | | | |
| 5 | 116 | 98 | 109 | 93 | 102 | 89 | 85 | 111 | 96 | 104 | 92 | 99 | 88 | 84 | 97 | 88 | 92 | 85 | 82 | 87 | 83 | 80 | 76 | | | |
| 7 | 120 | 101 | 114 | 97 | 109 | 94 | 90 | 114 | 99 | 110 | 95 | 105 | 92 | 89 | 102 | 92 | 98 | 89 | 87 | 92 | 87 | 85 | 81 | | | |
| 10 | 123 | 103 | 118 | 100 | 114 | 97 | 95 | 117 | 101 | 114 | 98 | 110 | 96 | 94 | 105 | 95 | 102 | 93 | 91 | 96 | 90 | 89 | 85 | | | |

配光曲線



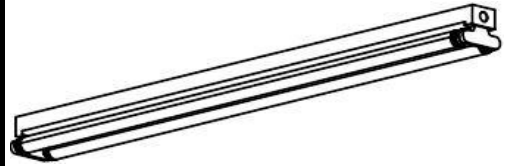
直射水平面照度



ECOHiLUX照明器具 配光データシート

意匠図

| | | | | | |
|------|----------------------|--------|--|------|------|
| 器具品名 | 直管用専用器具 トラフ型40形2灯 | | | 保守率 | |
| 器具品番 | IRLDLFL42TR-K | | | 良 | 0.69 |
| 部品品名 | 直管LEDランプ HE190S | | | 中 | 0.67 |
| 部品品番 | LDG32T-W/14/24/19SL | | | 否 | 0.63 |
| 器具光束 | 4416lm | 最大取付間隔 | | 器具効率 | |
| 光源 | LED | AA | | 上方向 | 8% |
| 光源光束 | 2400lm × 2 | BB | | 下方向 | 84% |
| | | | | 全方向 | 92% |

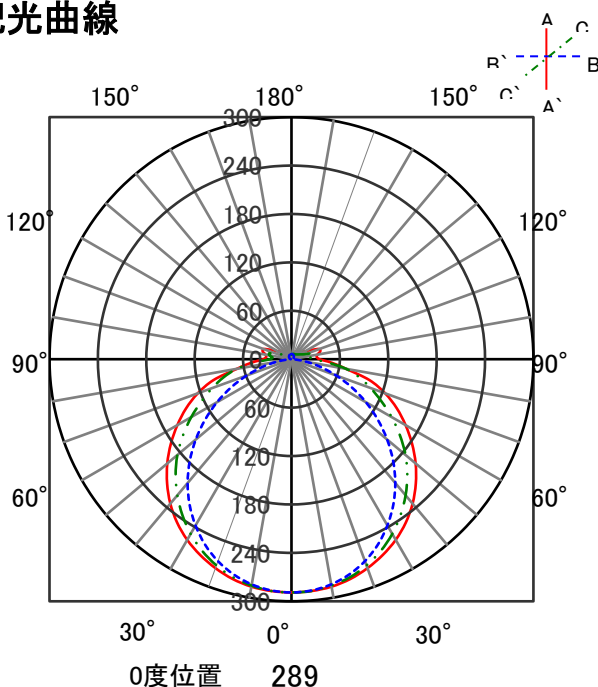


照明率表

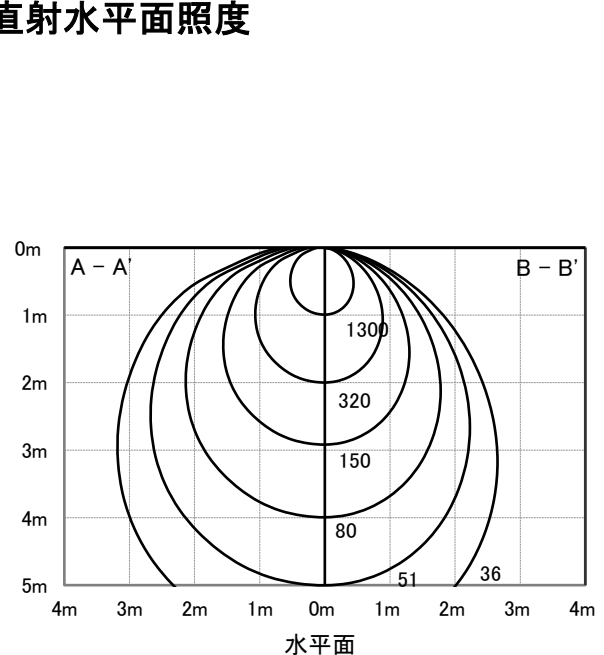
作業面照明率(×0.01)

| 反天井 %射率 | 80 | | | | | | | | 70 | | | | | | | | 50 | | | | 30 | | | | 0 | | | | |
|------------|-----|-----|-----|-----|-----|----|----|-----|-----|-----|----|-----|----|----|-----|----|-----|----|----|----|----|----|----|----|----|----|----|----|---|
| | 壁 | | 70 | | 50 | | 30 | | 10 | | 70 | | 50 | | 30 | | 10 | | 50 | | 30 | | 10 | | 30 | | 10 | | 0 |
| 床 | 30 | 10 | 30 | 10 | 30 | 10 | 30 | 10 | 30 | 10 | 30 | 10 | 30 | 10 | 30 | 10 | 30 | 10 | 30 | 10 | 30 | 10 | 30 | 10 | 30 | 10 | 30 | 10 | 0 |
| 0.4 | 60 | 55 | 45 | 43 | 36 | 35 | 30 | 58 | 53 | 44 | 42 | 36 | 35 | 30 | 42 | 40 | 34 | 34 | 29 | 33 | 33 | 28 | 26 | | | | | | |
| 0.6 | 70 | 64 | 55 | 52 | 45 | 43 | 37 | 67 | 61 | 53 | 50 | 44 | 43 | 37 | 50 | 48 | 42 | 41 | 36 | 41 | 40 | 35 | 32 | | | | | | |
| 0.8 | 78 | 70 | 64 | 59 | 54 | 51 | 45 | 75 | 68 | 62 | 58 | 53 | 50 | 44 | 58 | 55 | 50 | 48 | 43 | 48 | 47 | 42 | 39 | | | | | | |
| 1 | 86 | 77 | 73 | 67 | 63 | 59 | 53 | 83 | 74 | 70 | 65 | 61 | 58 | 52 | 66 | 62 | 58 | 56 | 51 | 56 | 54 | 50 | 46 | | | | | | |
| 1.3 | 92 | 81 | 79 | 71 | 69 | 64 | 58 | 88 | 78 | 76 | 70 | 67 | 63 | 57 | 71 | 67 | 64 | 61 | 56 | 60 | 58 | 54 | 50 | | | | | | |
| 1.5 | 99 | 87 | 88 | 79 | 79 | 72 | 66 | 95 | 84 | 85 | 77 | 76 | 71 | 65 | 79 | 73 | 72 | 68 | 64 | 68 | 66 | 62 | 58 | | | | | | |
| 2 | 105 | 90 | 95 | 84 | 86 | 78 | 73 | 100 | 88 | 91 | 82 | 84 | 76 | 72 | 84 | 78 | 78 | 74 | 69 | 74 | 71 | 67 | 63 | | | | | | |
| 2.5 | 108 | 93 | 99 | 87 | 91 | 82 | 77 | 103 | 90 | 95 | 85 | 88 | 80 | 76 | 88 | 81 | 83 | 77 | 73 | 78 | 74 | 71 | 67 | | | | | | |
| 3 | 113 | 96 | 105 | 91 | 99 | 87 | 83 | 108 | 94 | 101 | 89 | 95 | 85 | 82 | 93 | 85 | 89 | 82 | 79 | 83 | 79 | 76 | 72 | | | | | | |
| 4 | 116 | 98 | 110 | 94 | 104 | 90 | 87 | 111 | 96 | 105 | 92 | 100 | 89 | 85 | 97 | 88 | 93 | 85 | 83 | 86 | 82 | 80 | 75 | | | | | | |
| 5 | 119 | 100 | 115 | 97 | 110 | 95 | 92 | 114 | 98 | 110 | 95 | 106 | 93 | 90 | 101 | 91 | 98 | 89 | 87 | 90 | 86 | 84 | 79 | | | | | | |
| 7 | 122 | 102 | 119 | 100 | 115 | 98 | 96 | 117 | 100 | 113 | 98 | 110 | 96 | 94 | 104 | 94 | 102 | 92 | 91 | 94 | 89 | 87 | 82 | | | | | | |
| 10 | 0 | 0 | 0 | 0 | 0 | 0 | 0 | 0 | 0 | 0 | 0 | 0 | 0 | 0 | 0 | 0 | 0 | 0 | 0 | 0 | 0 | 0 | 0 | | | | | | |

配光曲線



直射水平面照度



ECOHiLUX照明器具 配光データシート

意匠図

| | | | | | |
|------|-------------------------|--------|--|------|------|
| 器具品名 | 直管用専用器具 直付下面開放型40形2灯 | | | 保守率 | |
| 器具品番 | IRLDLFL42UK-K | | | 良 | 0.69 |
| 部品品名 | 直管LEDランプ HE190S | | | 中 | 0.67 |
| 部品品番 | LDG32T-W/14/24/19SL | | | 否 | 0.63 |
| 器具光束 | 4765lm | 最大取付間隔 | | 器具効率 | |
| 光源 | - | AA | | 上方向 | 0% |
| 光源光束 | 2400lm × 2 | BB | | 下方向 | 99% |
| | | | | 全方向 | 99% |

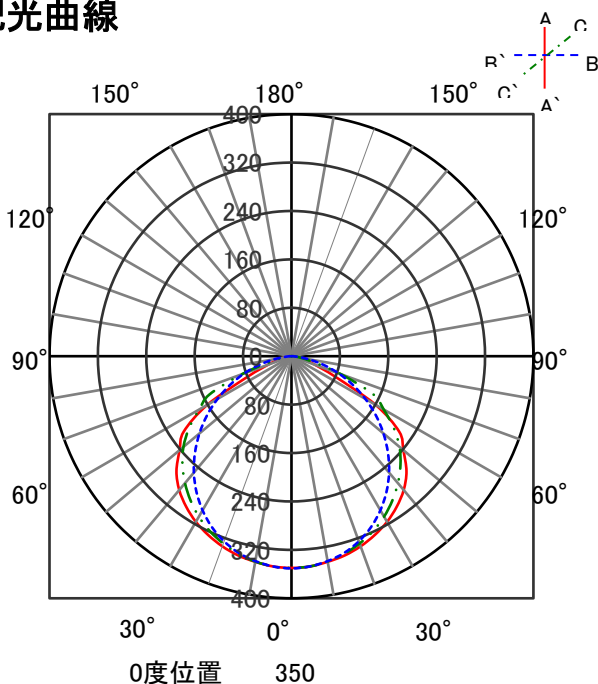


照明率表

作業面照明率(×0.01)

| 反天井 (%射率) | 80 | | | | | | | | 70 | | | | | | | | 50 | | | | 30 | | 0 | |
|--------------|-----|-----|-----|-----|-----|-----|-----|-----|-----|-----|-----|-----|-----|-----|-----|-----|-----|----|----|-----|----|----|----|----|
| | 壁 | 70 | 50 | 30 | 10 | 70 | 50 | 30 | 10 | 70 | 50 | 30 | 10 | 50 | 30 | 10 | 30 | 10 | 0 | 0 | | | | |
| 床 | 30 | 10 | 30 | 10 | 30 | 10 | 10 | 30 | 10 | 30 | 10 | 30 | 10 | 30 | 10 | 30 | 10 | 10 | 30 | 10 | 0 | 0 | | |
| 室 指 数 | 0.4 | 45 | 43 | 32 | 31 | 24 | 24 | 19 | 44 | 42 | 31 | 30 | 24 | 24 | 19 | 30 | 30 | 24 | 23 | 19 | 23 | 23 | 19 | 18 |
| | 0.6 | 63 | 58 | 48 | 46 | 40 | 39 | 33 | 61 | 57 | 48 | 46 | 39 | 38 | 33 | 46 | 44 | 39 | 38 | 33 | 38 | 37 | 33 | 31 |
| | 0.8 | 74 | 67 | 59 | 56 | 50 | 48 | 42 | 72 | 66 | 58 | 55 | 49 | 47 | 42 | 56 | 53 | 48 | 47 | 42 | 47 | 46 | 41 | 39 |
| | 1 | 83 | 74 | 69 | 64 | 59 | 56 | 50 | 80 | 73 | 67 | 63 | 58 | 56 | 50 | 65 | 61 | 57 | 55 | 50 | 56 | 54 | 50 | 47 |
| | 1.3 | 92 | 81 | 78 | 72 | 69 | 65 | 59 | 89 | 80 | 77 | 71 | 68 | 64 | 59 | 74 | 69 | 66 | 63 | 59 | 64 | 63 | 58 | 56 |
| | 1.5 | 97 | 85 | 85 | 77 | 75 | 70 | 65 | 94 | 84 | 83 | 76 | 74 | 70 | 64 | 79 | 74 | 72 | 68 | 64 | 70 | 67 | 63 | 61 |
| | 2 | 105 | 91 | 94 | 84 | 86 | 78 | 73 | 101 | 90 | 92 | 83 | 84 | 78 | 73 | 87 | 81 | 81 | 76 | 72 | 78 | 75 | 72 | 69 |
| | 2.5 | 110 | 95 | 101 | 89 | 93 | 84 | 80 | 106 | 93 | 98 | 88 | 91 | 83 | 79 | 93 | 86 | 87 | 82 | 78 | 84 | 81 | 77 | 75 |
| | 3 | 113 | 97 | 105 | 92 | 98 | 88 | 84 | 109 | 96 | 102 | 91 | 96 | 87 | 83 | 97 | 89 | 92 | 85 | 82 | 88 | 84 | 81 | 79 |
| | 4 | 118 | 100 | 111 | 96 | 105 | 93 | 89 | 113 | 99 | 108 | 95 | 103 | 92 | 89 | 101 | 93 | 97 | 90 | 87 | 93 | 88 | 86 | 84 |
| 5 | 120 | 102 | 115 | 99 | 110 | 96 | 93 | 116 | 101 | 111 | 98 | 107 | 95 | 92 | 105 | 95 | 101 | 93 | 91 | 96 | 91 | 89 | 87 | |
| 7 | 124 | 104 | 119 | 102 | 116 | 99 | 97 | 119 | 103 | 115 | 100 | 112 | 98 | 96 | 108 | 98 | 106 | 96 | 95 | 100 | 95 | 93 | 90 | |
| 10 | 126 | 105 | 123 | 104 | 120 | 102 | 101 | 121 | 104 | 119 | 103 | 116 | 101 | 100 | 111 | 100 | 109 | 99 | 98 | 103 | 97 | 96 | 93 | |

配光曲線



直射水平面照度

