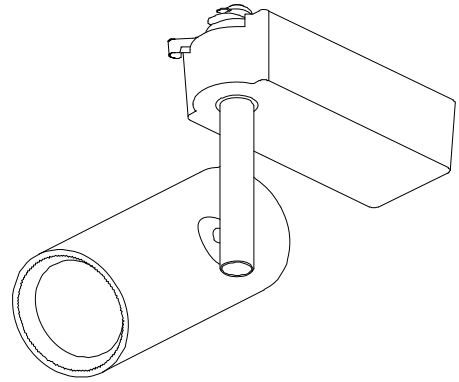


ECOHiLUX照明器具 配光データシート

意匠図

| | | | |
|------|----------------------------|------|------|
| 器具品名 | ローグレア スポットライト | 保守率 | |
| 器具品番 | SP16L27-MLW SP16L27-MLB | 良 | 0.69 |
| 部品品名 | - | 中 | 0.67 |
| 部品品番 | - | 否 | 0.63 |
| 器具光束 | 1510lm | 器具効率 | |
| 光源 | - | 上方向 | 0% |
| 光源光束 | 一体型器具のため、器具光束表示 | 下方向 | 100% |
| | | 全方向 | 100% |

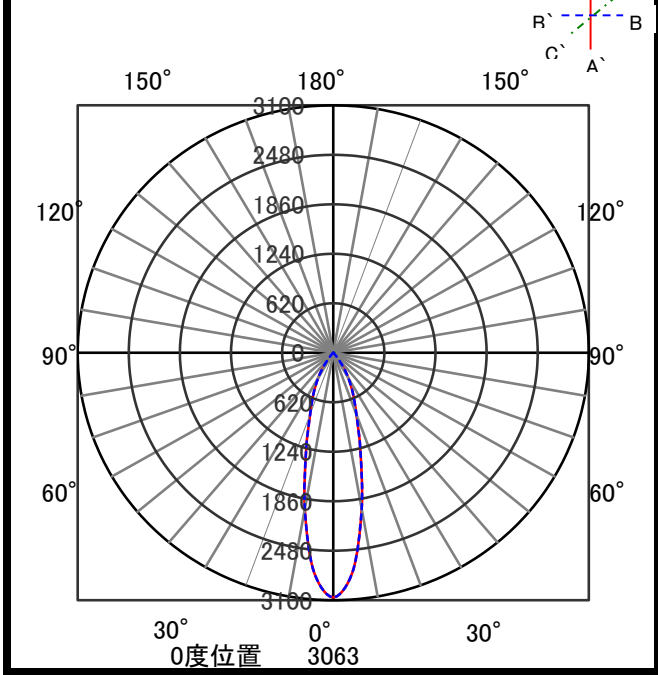


照明率表

作業面照明率(×0.01)

| 反射率(%) | 天井 | 80 | | | | | | | | 70 | | | | 50 | | | | 30 | | 0 | | | | |
|--------|------|----|----|----|----|----|----|----|----|----|----|----|----|----|----|----|----|----|----|----|----|----|----|----|
| | | 壁 | | 70 | | 50 | | 30 | | 10 | | 70 | | 50 | | 30 | | 10 | | 30 | 10 | 0 | | |
| | | 30 | 10 | 30 | 10 | 30 | 10 | 30 | 10 | 30 | 10 | 30 | 10 | 30 | 10 | 30 | 10 | 30 | 10 | 30 | 10 | 0 | | |
| 室指数 | 0.4 | 34 | 32 | 28 | 27 | 25 | 25 | 23 | 33 | 31 | 28 | 27 | 25 | 25 | 23 | 28 | 27 | 25 | 25 | 23 | 25 | 24 | 23 | 22 |
| | 0.6 | 43 | 40 | 38 | 36 | 35 | 34 | 32 | 43 | 39 | 38 | 36 | 35 | 34 | 32 | 37 | 36 | 34 | 33 | 32 | 34 | 33 | 32 | 31 |
| | 0.8 | 48 | 44 | 43 | 41 | 40 | 38 | 37 | 48 | 44 | 43 | 40 | 40 | 38 | 37 | 42 | 40 | 39 | 38 | 37 | 39 | 38 | 36 | 36 |
| | 1 | 52 | 46 | 47 | 43 | 44 | 41 | 40 | 51 | 46 | 46 | 43 | 43 | 41 | 40 | 45 | 43 | 42 | 41 | 39 | 42 | 41 | 39 | 39 |
| | 1.25 | 55 | 48 | 50 | 46 | 47 | 44 | 43 | 53 | 48 | 49 | 46 | 46 | 44 | 42 | 48 | 45 | 45 | 43 | 42 | 44 | 43 | 42 | 41 |
| | 1.5 | 56 | 50 | 52 | 47 | 49 | 46 | 44 | 55 | 49 | 51 | 47 | 48 | 45 | 44 | 49 | 46 | 47 | 45 | 44 | 46 | 44 | 43 | 43 |
| | 2 | 59 | 51 | 55 | 49 | 52 | 48 | 47 | 57 | 51 | 54 | 49 | 51 | 48 | 46 | 52 | 48 | 50 | 47 | 46 | 48 | 46 | 46 | 45 |
| | 2.5 | 60 | 52 | 57 | 51 | 55 | 49 | 48 | 59 | 52 | 56 | 50 | 54 | 49 | 48 | 53 | 49 | 52 | 48 | 47 | 50 | 48 | 47 | 46 |
| | 3 | 62 | 53 | 59 | 52 | 56 | 50 | 49 | 60 | 52 | 57 | 51 | 55 | 50 | 49 | 55 | 50 | 53 | 49 | 49 | 51 | 49 | 48 | 47 |
| | 4 | 63 | 54 | 61 | 53 | 59 | 52 | 51 | 61 | 53 | 59 | 52 | 58 | 52 | 51 | 56 | 51 | 55 | 51 | 50 | 52 | 50 | 49 | 48 |
| 5 | 64 | 54 | 62 | 54 | 61 | 53 | 52 | 62 | 54 | 60 | 53 | 59 | 52 | 52 | 57 | 52 | 56 | 52 | 51 | 53 | 51 | 50 | 49 | |
| 7 | 65 | 55 | 64 | 54 | 63 | 54 | 54 | 63 | 54 | 62 | 54 | 61 | 54 | 53 | 58 | 53 | 58 | 53 | 52 | 55 | 52 | 52 | 50 | |
| 10 | 66 | 55 | 65 | 55 | 65 | 55 | 55 | 64 | 55 | 63 | 55 | 62 | 54 | 54 | 59 | 54 | 59 | 53 | 53 | 55 | 52 | 52 | 51 | |

配光曲線



直射水平面照度

