

SORAA LED MR16

9W



OUTPUT RANGE: VIVID SERIES	465 - 490 lumen; CRI-95, R9>90
OUTPUT RANGE: BRILLIANT SERIES	560 - 590 lumen; CRI-80
BEAM ANGLE RANGE	25°, 36°
COLOR TEMPERATURE RANGE	2700K, 3000K
APPLICATION	Halogen replacement for indoor applications



POINT SOURCE OPTICS

Exceptional beam control with smooth uniform beams
Single light source, single crisp shadow

VP₃ VIVID COLOR AND VP₃ NATURAL WHITE

VIVID series provides accurate color rendering across the visible spectrum from 400nm to 700nm, CRI-95, R9>90
Accurate white rendering based on >70% excitation of Optical Brightening Agents with emission between 400nm & 440 nm

ENERGY EFFICIENCY AND LONG LIFE

85% more energy efficient than standard halogen lamps
Typical payback of one year or less
Rated lifetime of 35,000 hours. Three year warranty

CERTIFICATIONS

UL/CUL Class 2 and non-Class 2, FCC Title 47 Part 15B, RoHS, CE

HIGHLY COMPATIBLE

Geometrically compatible with standard fixtures
This lamp is not recommended for use in enclosed fixtures or for use with front glass cover.
Suitable for damp locations
Works with trailing edge and leading edge phase cut dimmers, 12V AC magnetic and electronic transformers and 12V DC transformers (see www.soraa.com/resources)

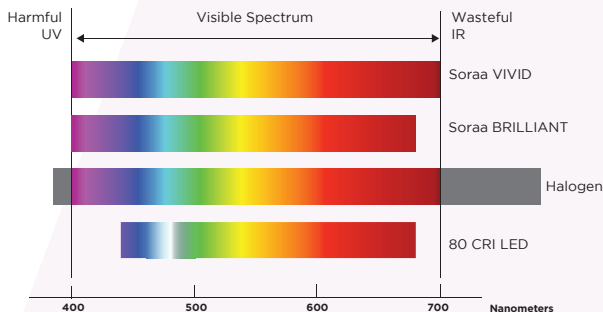
INTENDED USE AND APPLICATIONS

Intended for use in MR16 compatible recessed downlights, track lighting and other indoor applications
Soraa lamps are designed to safely turn down in any thermal environment not conducive to minimum airflow or proper ventilation

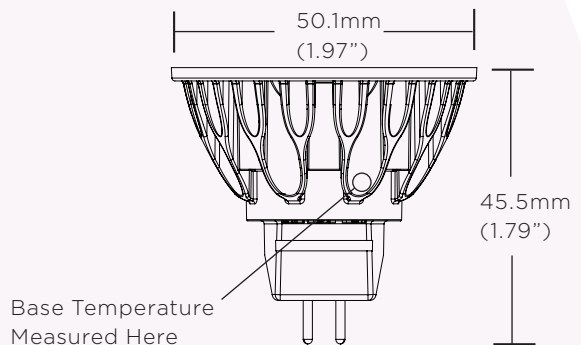
GENERAL SPECIFICATIONS

Form Factor	Operating Temperature	Electrical	
Width: 50.1mm (1.97")	Minimum: -40°C (ambient)	Wattage: 9W	Dimmable to < 20%
Height: 45.5mm (1.79")	Typical: 90°C - 95°C (base)	Power factor: 0.92	Frequency: 50/60Hz
Weight: 47g	Maximum: 100°C (base)	Voltage: 12V +/- 1.2V	

COLOR RENDERING

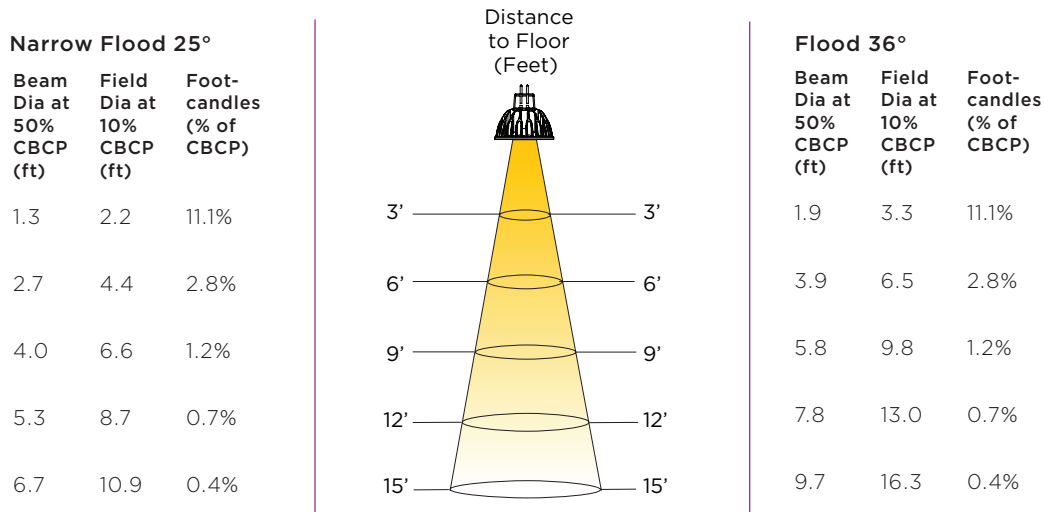


DIMENSIONS




SORAA LED MR16 9W

BEAM DIAGRAM



Note: Footcandles may be calculated by multiplying the CBCP of the desired model number by the percentage in the tables above

SPECIFICATIONS BY MODEL NUMBER*

Model Number	Product Code	CCT (K)	Beam Angle (°)	CBCP (Cd)	Halogen Equivalent** (Watts)	Total Flux (Lm)	Efficacy (Lm/W)	CRI/ R9	White Point (McA)	
SORAA VIVID SERIES										
SM16-09-25D-927-03	00955	2700	25	2570	60	465	52	95/95	3	Yes
SM16-09-36D-927-03	00963	2700	36	1210	60	465	52	95/95	3	Yes
SM16-09-25D-930-03	00959	3000	25	2700	60	490	54	95/95	3	Yes
SM16-09-36D-930-03	00967	3000	36	1280	60	490	54	95/95	3	Yes
SORAA BRILLIANT SERIES										
SM16-09-25D-827-03	00953	2700	25	3090	75	560	62	80/>0	3	
SM16-09-36D-827-03	00961	2700	36	1460	75	560	62	80/>0	3	Yes
SM16-09-25D-830-03	00957	3000	25	3260	75	590	66	80/>0	3	Yes
SM16-09-36D-830-03	00965	3000	36	1540	75	590	66	80/>0	3	Yes

*Specifications are at stable warm operating conditions (25°C ambient) **Energy Star Minimum

CCT = Correlated Color Temperature CRI = Color Rendering Index (Ra-8) White Point = White Point Accuracy in McA step

SAFETY NOTE ON HEAT

Although Soraa's lamps operate at cooler temperatures than halogen lamps, it is recommended that gloves be worn when handling bare lamps that have been energized.

Information and specifications subject to change. SM16 9W Rev 1 11.23.15

Soraa Inc. 6500 Kaiser Drive, Suite 110, Fremont, CA 94555
855 GO-SORAA / 855 467-6722 www.soraa.com