

# SORAA LED MR16-E11 Base 7.5W



OUTPUT RANGE: VIVID SERIES	360-420 lumen; CRI-95, R9>90
OUTPUT RANGE: BRILLIANT SERIES	440-485 lumen; CRI-80
BEAM ANGLE RANGE	10°, 25°, 36°
COLOR TEMPERATURE RANGE	2700K, 3000K, 4000K, 5000K
APPLICATION	Halogen replacement for indoor & outdoor applications



## POINT SOURCE OPTICS

Exceptional beam control enables unique 10° narrow spot and smooth uniform beams

Single light source, single crisp shadow

## VP<sub>3</sub> VIVID COLOR AND VP<sub>3</sub> NATURAL WHITE

VIVID series provides accurate color rendering across the visible spectrum from 400nm to 700nm, CRI-95, R9>90

Accurate white rendering based on >70% excitation of Optical Brightening Agents with emission between 400nm & 440 nm

## ENERGY EFFICIENCY AND LONG LIFE

85% more energy efficient than standard halogen lamps

Typical payback of one year or less

Rated lifetime of 35,000 hours. Three year warranty

## CERTIFICATIONS

UL Class 2 and non-class 2, CUL, FCC 47 CFR Part 15 and Part 18 (EMI), RoHS

## GENERAL SPECIFICATIONS

### Form Factor

Width: 49.9mm (1.96")

Height: 63.2mm (2.48")

Weight: 65g

### Operating Temperature

Minimum: -40°C (ambient)

Typical: 85°C - 95°C (base)

Maximum: 100°C (base)

### Electrical

Wattage: 7.5W

Power factor: 0.92

Voltage: 100V +/- 1.0V

Dimmable to < 20%

Frequency: 50/60Hz

## HIGHLY COMPATIBLE

Narrow spot compatible with Soraa SNAP System accessories

Geometrically compatible with standard fixtures and suitable for damp locations

This lamp is suitable for use in fully enclosed fixtures, subject to the maximum heatsink temperature limits stated in this data sheet.

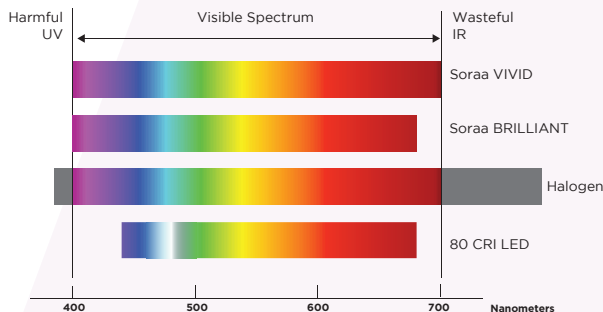
Works with trailing edge and leading edge phase cut dimmers, 12V AC magnetic and electronic transformers and 12V DC transformers (see [www.soraa.com/resources](http://www.soraa.com/resources))

## INTENDED USE AND APPLICATIONS

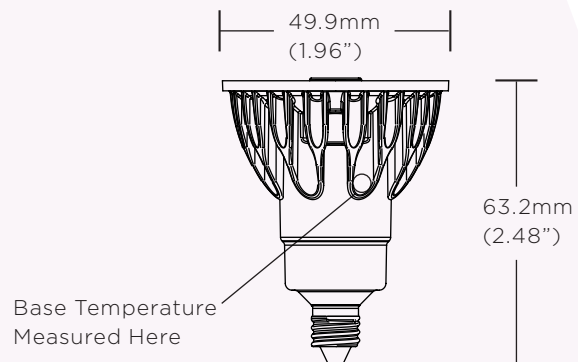
For use in E11 compatible recessed downlights, track lighting and other indoor and outdoor applications

Soraa lamps are designed to safely shut down in any thermal environment not conducive to minimum airflow or proper ventilation

## COLOR RENDERING



## DIMENSIONS



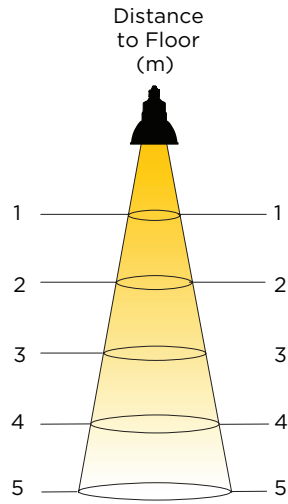
RoHS

# SORAA LED E11 7.5W

## BEAM DIAGRAM

### Narrow Flood 25°

Beam Dia at 50% Intensity (m)	Field Dia at 10% Intensity (m)	Lux (% of Intensity)
0.4	0.7	100%
0.9	1.4	25%
1.3	2.1	11%
1.8	2.8	6%
2.2	3.4	4%



### Flood 36°

Beam Dia at 50% Intensity (m)	Field Dia at 10% Intensity (m)	Lux (% of Intensity)
0.6	1.0	100%
1.3	2.0	25%
1.9	3.1	11%
2.6	4.1	6%
3.2	5.1	4%

### Wide Flood 60°

Beam Dia at 50% Intensity (m)	Field Dia at 10% Intensity (m)	Lux (% of Intensity)
1.2	1.8	100%
2.3	3.6	25%
3.5	5.4	11%
4.6	7.2	6%
5.8	9.0	4%

Note: Lux may be calculated by multiplying the peak Intensity of the desired model number by the percentage in the tables above

## SPECIFICATIONS BY PART NUMBER\*

Model Number	Product Code	CCT (K)	Beam Angle (°)	Field Angle (°)	CBCP (Cd)	Total Flux (Lm)	Efficacy (Lm/W)	CRI/R9	White Point (McA)
<b>VIVID SERIES:</b>									
SM16J-07-10D-927-03-S5 <sup>SNAP</sup>	02097	2700	10	17	5160	360	48	95 / 95	3
SM16J-07-25D-927-03-S5	02109	2700	25	39	2040	380	51	95 / 95	3
SM16J-07-36D-927-03-S5	02121	2700	36	54	960	380	51	95 / 95	3
SM16J-07-10D-930-03-S5 <sup>SNAP</sup>	02101	3000	10	17	5440	380	51	95 / 95	3
SM16J-07-25D-930-03-S5	02113	3000	25	39	2160	400	53	95 / 95	3
SM16J-07-36D-930-03-S5	02125	3000	36	54	1020	400	53	95 / 95	3
SM16J-07-10D-940-03-S5 <sup>SNAP</sup>	02103	4000	10	17	5740	400	53	95 / 95	3
SM16J-07-25D-940-03-S5	02115	4000	25	39	2260	420	56	95 / 95	3
SM16J-07-36D-940-03-S5	02127	4000	36	54	1060	420	56	95 / 95	4
SM16J-07-10D-950-03-S5 <sup>SNAP</sup>	02105	5000	10	17	5740	400	53	95 / 95	4
SM16J-07-25D-950-03-S5	02117	5000	25	39	2260	420	56	95 / 95	4
SM16J-07-36D-950-03-S5	02129	5000	36	54	1060	420	56	95 / 95	4
<b>BRILLIANT SERIES:</b>									
SM16J-07-10D-827-03-S5 <sup>SNAP</sup>	02095	2700	10	17	6300	440	59	80 / >0	3
SM16J-07-25D-827-03-S5	02107	2700	25	39	2480	460	61	80 / >0	3
SM16J-07-36D-827-03-S5	02119	2700	36	54	1180	460	61	80 / >0	3
SM16J-07-10D-830-03-S5 <sup>SNAP</sup>	02099	3000	10	17	6600	460	61	80 / >0	3
SM16J-07-25D-830-03-S5	02111	3000	25	39	2620	485	65	80 / >0	3
SM16J-07-36D-830-03-S5	02123	3000	36	54	1240	485	65	80 / >0	3

\*Specifications are at stable warm operating conditions (25°C ambient)

<sup>SNAP</sup> SORAA SNAP System Compatible

CCT = Correlated Color Temperature    CRI = Color Rendering Index (Ra-8)    White Point = White Point Accuracy in McA step

## SAFETY NOTE ON HEAT

Although Soraa's lamps operate at cooler temperatures than halogen lamps, it is recommended that gloves be worn when handling bare lamps that have been energized.

Information and specifications subject to change. SM16J 7W Rev 1 12.01.15

Soraa Inc. 6500 Kaiser Drive, Fremont, CA 94555  
855 GO-SORAA / 855 467-6722 www.soraa.com